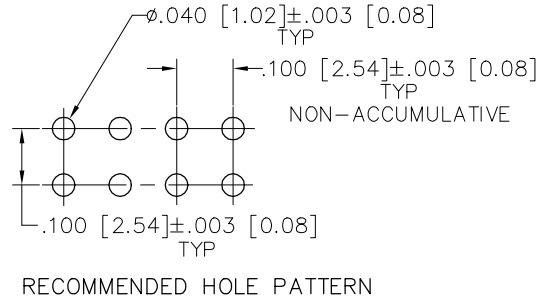
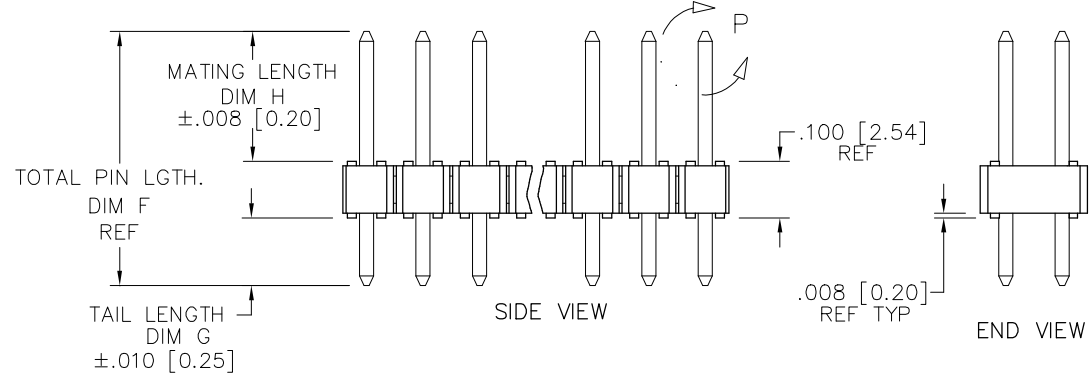
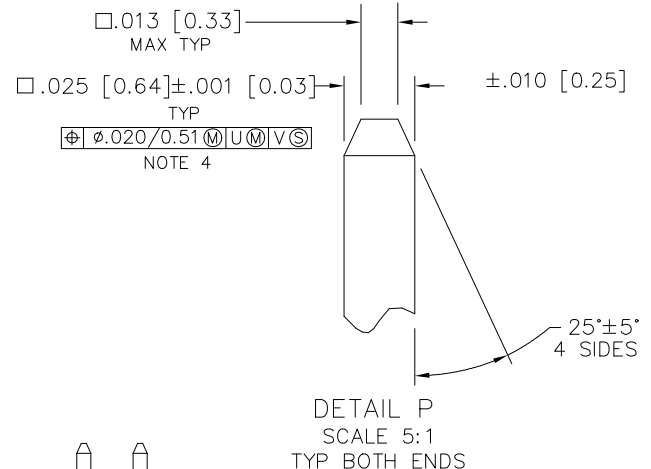
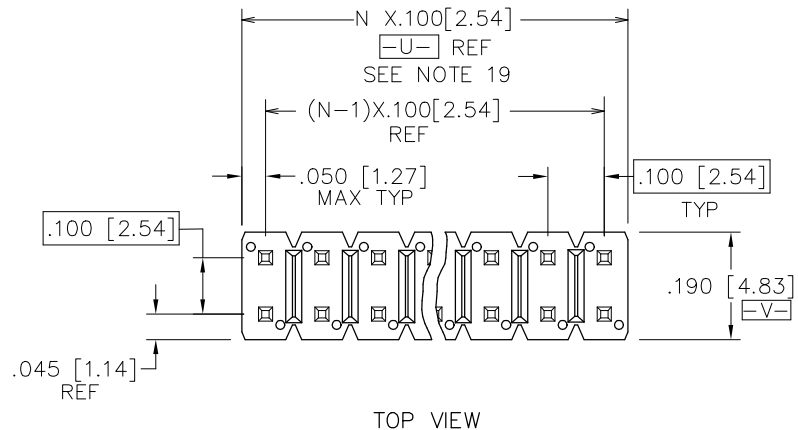


PRODUCT NUMBER
 XXXXX-YYY X X XF

- GREEN OPTION
SEE NOTE 1,13
- PACKAGE OPTION
SEE NOTE 1 OR 10 OR 20
- HIGH TEMPERATURE PLASTIC
SEE NOTE 1
- NO OF POSITIONS
SEE NOTE 1
- PIN PLATING
SEE SHEET 2
- BASE PART NO.
SEE SHEET 4 TO 8



67996-X XX XXX XXX X XF

- GREEN OPTION
(SEE NOTE 1,13)
- PACKAGE
(SEE NOTE 20)
- TAIL LENGTH (EXAMPLE BELOW)
3.0mm=030 12.8mm=128
(SEE NOTE 16 & 17)
- MATING LENGTH (EXAMPLE BELOW)
5.0mm=050 25.5mm=255
(SEE NOTE 16 & 17)
- TOTAL NUMBER OF POSITIONS
FROM 2 (2X1) THRU 72 (2X36) POS.
- PIN PLATING (SEE NOTE 14)
1=0.76µm Au
4= PURE TIN
8=0.36µm Au
- BASE PART NO.
DOUBLE ROW

| | | | | | |
|--------------------------------|-------------|-----------------------|-------------------------------|---------------------------------|----------------------------|
| mat'l. code SEE NOTES 1 & 2 | | surface ISO 1302 ✓ | tolerance ISO 406 ISO 1101 | projection INCH/MM | product family BERGSTIK |
| ltr | ecn no | dr | date | title BERGSTIK II HEADER D/R | |
| DF | N11-0180 | J.Z | 2011-05-31 | .010/0.25cc STRAIGHT | |
| DG | ELX-N-13471 | J.Z | 2011-11-16 | .010/0.25cc STRAIGHT | |
| DH | ELX-N-16105 | ZK | 2013-10-22 | .010/0.25cc STRAIGHT | |
| DJ | ELX-N-37975 | MKX | 2020-8-11 | .010/0.25cc STRAIGHT | |
| DK | ELX-N-38872 | MKX | 2020-11-04 | .010/0.25cc STRAIGHT | |
| sheet index | | revision | DJ | type Product Customer Drawing | |
| 1-8 | | | | | |

PIN PLATING CODES:

| | |
|-------------|---|
| XXXX-1YY | 30u"/0.76u MIN (SEE NOTE 14) OVER 50u"/1.27u MIN Ni |
| XXXX-2YY | 15u"/0.38u MIN (SEE NOTE 14) OVER 50u"/1.27u MIN Ni |
| XXXX-3YY | 50u"/1.27u MIN (SEE NOTE 14) OVER 50u"/1.27u MIN Ni |
| XXXX-4YY | 100u"/2.54u MIN Sn OVER 50u"/1.27u MIN Ni (SEE NOTE 15) |
| XXXX-4YYHLF | |
| XXXX-5YY | 15u"/0.38u MIN (SEE NOTE 14) OVER 50u"/1.27u MIN Ni |
| XXXX-6YY | 30u"/0.76u MIN (SEE NOTE 14) OVER 50u"/1.27u MIN Ni |
| XXXX-7YY | 30u"/0.76u MIN (SEE NOTE 14) OVER 50u"/1.27u MIN Ni |
| XXXX-8YY | 15u"/0.38u MIN (SEE NOTE 14) OVER 50u"/1.27u MIN Ni |
| XXXX-9YY | 15u"/0.38u MIN (SEE NOTE 14) OVER 50u"/1.27u MIN Ni |
| XXXX-0YY | 30u"/0.76u MIN (SEE NOTE 14) OVER 50u"/1.27u MIN Ni |

- PIN MATERIAL: PHOS BRONZE.
- MEASURED WITH PART IN RESTRAINED CONDITION.
- TWO SIDES OF PIN TIPS NOT PLATED. TYPICAL BOTH ENDS.
- 2LBS/0.9KG MIN PIN RETENTION IN EITHER DIRECTION.
- MILITARY BERGSTIK HEADER
P/N XXXXX-YYY-MIL
NOT AVAILABLE.
- ±.010/0.25 TOL APPLIES TO ALL "G" TAILS EXCEPT INDICATED PARTS ON TABLE WHERE +.010/0.25 -.000/0.00 APPLIES.
- NOTCH CONFIGURATION WILL VARY PER VENDOR'S DISCRETION.
- BERGSTRIPTM PART NUMBERS FOLLOWED BY BY A "B" ARE BULK PRICED.
- TAIL LENGTH (DIM. G) TO BE ±.008/0.20.
- POSITIONS PER ROW 37 TO 50 CAN BE PRODUCED, BUT FLATNESS AND CURVATURE MAY NOT BE HELD AS CLOSE AS 36 POSITIONS.
- THESE PRODUCTS MEETS EUROPEAN UNION DIRECTIVES AND OTHER COUNTRY REGULATION AS DESCRIBED IN GS-22-008.
- PLATING OPTIONS:
PERFORMANCE PLATING WILL BE EITHER GOLD OR GXT ON POST OR TAIL, OPTIONALLY (78~295u"/2~7.5u) TIN ON TAIL.
- "THIS PRODUCT HAS 100% TIN PLATING IN THE INTERFACE AND HAS NOT BEEN TESTED FOR WHISKER GROWTH IN ALL INTERCONNECT ENVIRONMENTS."
- THE OAL DON'T EXCEED 34.5mm
- INCREMENTS BY 0.1mm IN LENGTHS ONLY
- FOR SPECIAL PACKAGING REQUEST PLEASE CONTACT PRODUCT MANAGER FOR AVAILABILITY
- TO DETERMINE DIMENSIONS:
N=NUMBER OF POSITION PER ROW
EXAMPLE: 10 POS. N X .100/2.54
- PART NUMBERS 68602 OR 67996 FOLLOWED BY A "D" ARE PACKAGED IN TAPE/REEL WITHOUT PICKUP CAP.

NOTES

1. PART NUMBER OPTIONS:
PIN PLATING CODES (SEE ABOVE)

HIGH TEMPERATURE MATERIAL:

PART NUMBERS WITH AND WITHOUT "H" WILL BE SUPPLIED WITH HIGH TEMPERATURE PLASTIC.

NUMBER OF POSITIONS :

EVEN NUMBER OF POSITIONS FROM 2 (2X1) THROUGH 72 (2X36).
-X00H INDICATES BERGSTRIPTM PRODUCT. SEE PAGE 3
FOR SPECIAL GEOMETRY OF THIS CONTINUOUS STRIP PRODUCT.
AUTOMATED REELS WILL CONTAIN 45,000 PINS.
SEE SPECIFIC PART NUMBERS FOR AVAILABILITY.

PACKAGING:

PACKAGED IN POLY BAGS.
EIGHT DIGIT PART NUMBERS FOLLOWED BY A "T" ARE PACKAGED IN TUBES. SEE SPECIFIC PART NUMBERS FOR AVAILABILITY.
EIGHT DIGIT PART NUMBERS FOLLOWED BY A "G" ARE PACKAGED IN GPAX FOR IBM ONLY. SEE SPECIFIC PART NUMBERS FOR AVAILABILITY.
PART NUMBERS FOLLOWED BY A "C" ARE PACKAGED IN TUBES WITH A PICKUP CAP APPLIED.
EIGHT DIGIT PART NUMBERS FOLLOWED BY A "A" ARE PACKAGED IN TAPE/REEL WITH PICKUP CAP P/N 95730-003 APPLIED.

LEAD FREE:

ADD "HLF" SUFFIX AT THE END OF PART NUMBER FOR LEAD FREE OPTION, NOT AVAILABLE FOR -5YY,-5YYH, -6YY & -6YYH

HALOGEN FREE:

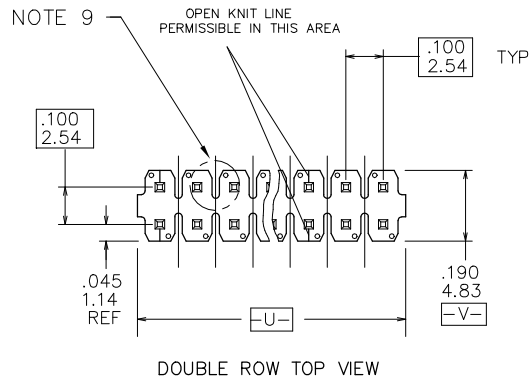
ADD "HF" SUFFIX AT THE END OF PART NUMBER FOR HOLOGEN FREE OPTION

2. BODY MATERIAL:

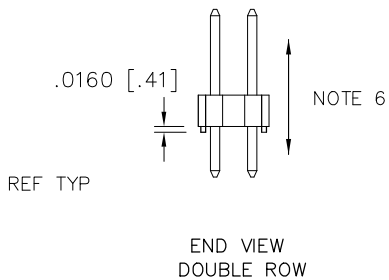
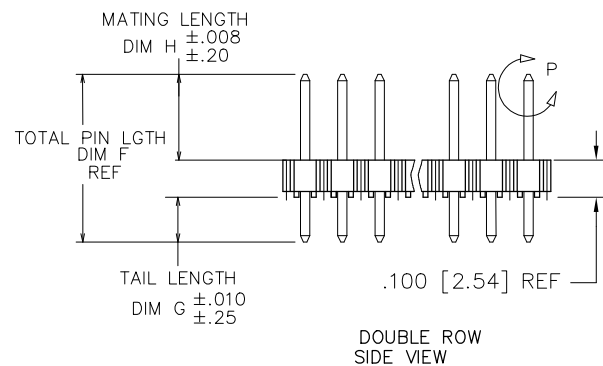
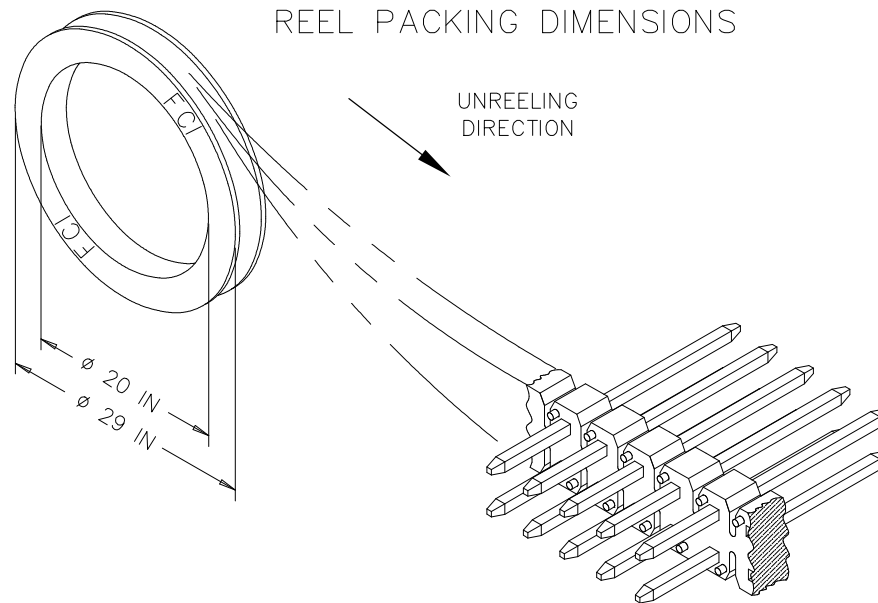
BODY MATERIAL : MANUFACTURER'S OPTION OF NYLON, PCT GLASS FIBER REINFORCED OR MINERAL FILLED LCP FLAME RETARDENT PER UL-94V-0.
COLOR: BLACK
BERGSTRIPTM PRODUCED WITH HIGH TEMPERATURE LCP THERMOPLASTIC, FLAME RETARDENT PER UL-94V-0.
COLOR: BLACK
PART NUMBERS WITH "H" AND WITHOUT SUFFIX WILL WITHSTAND EXPOSURE TO 260° C PEAK TEMPERATURE FOR 20 SECONDS IN WAVE SOLDER, INFRA-RED OR VAPOR PHASE SOLDER PROCESS.

| | | | | | | | | | |
|-----------------|--------|----------|-------------|---------------------------------------|----------|------------|--|-------------------------------|--|
| mat'l. code | | surface | | tolerance | | projection | | product family | |
| SEE NOTES 1 & 2 | | ISO 1302 | | ISO 406 ISO 1101 | | | | BERGSTIK | |
| ltr | ecn no | dr | date | tolerances unless otherwise specified | | | | title | |
| DK | | | | angles | linear | INCH/MM | | BERGSTIK II HEADER D/R | |
| | | | | 0±2° | | scale 2:1 | | .100/2.54cc STRAIGHT | |
| | | dr | | | | | | dwg no | |
| | | engr | T.BREWBAKER | | 12/21/94 | | | sheet 2 of 8 | |
| | | chr | J.MURPHY | | 07/21/99 | | | 67996 | |
| | | appd | T.HANNA | | 07/21/99 | | | A3 | |
| sheet index | | revision | DK | | | | | type Product Customer Drawing | |
| | | sheet | 1-8 | | | | | | |

BERGSTRIPTM HEADER



REEL PACKING DIMENSIONS



Amphenol FCI

© 2016 AFCI

| | | | | | |
|--------------------------------|----------------|-----------------------|-------------------------------|---|---|
| mat'l. code SEE NOTES 1 & 2 | | surface ISO 1302 ✓ | tolerance ISO 406 ISO 1101 | projection INCH/MM | product family BERGSTIK |
| ltr | ecn no | dr | date | title BERGSTIK II HEADER D/R .100/2.54cc STRAIGHT | |
| DK | | | | angles 0°±2° | linear .XX±0.01/0.3 .XXX±0.005/.XXX±0.13 .XXXX±0.0020/.XXX±0.051 |
| | | dr | T.BREWBAKER 12/21/94 | scale 2:1 | Amphenol FCI |
| | | enr | T.HANNA 07/21/99 | | dwg no 67996 sheet 3 of 8 size A3 |
| | | chr | J.MURPHY 07/21/99 | | type Product Customer Drawing |
| | | app | T.HANNA 07/21/99 | | |
| sheet index | revision sheet | DK | 1-8 | | |

| PRODUCT NUMBER | TOT. PIN LGTH. | | TAIL LENGTH | | MATING LENGTH | | PACKAGING | NOTES | BERGSTRIPTM AVAILABLE | LF OPTION |
|----------------------|------------------|------------------|------------------|------------------|------------------|------------------|----------------------------|--------------|-----------------------|-----------------|
| | DIM F | DIM F | DIM G | DIM G | DIM H | DIM H | | | | |
| | ENGLISH | METRIC | ENGLISH | METRIC | ENGLISH | METRIC | | | | |
| 55005-XYH | 0.597 | 15.16 | 0.095 | 2.41 | 0.402 | 10.21 | POLY BAGS | - | YES | OB NOTE 1,13 |
| 55030-XYH | 0.630 | 16.00 | 0.150 | 3.81 | 0.380 | 9.65 | POLY BAGS | - | YES | |
| 67996-YYY | 0.425 | 10.80 | 0.095 | 2.41 | 0.230 | 5.84 | POLY BAGS/TUBES | - | YES | |
| 67997-YYY | 0.450 | 11.43 | 0.120 | 3.05 | 0.230 | 5.84 | POLY BAGS/TUBES | - | YES | |
| 67997-XYH | 0.450 | 11.43 | 0.120 | 3.05 | 0.230 | 5.84 | POLY BAGS/TUBES | - | YES | |
| 67998-YYY | 0.525 | 13.34 | 0.107 | 2.72 | 0.318 | 8.08 | POLY BAGS/TUBES | - | YES | |
| 67999-YYY | 0.548 | 13.92 | 0.130 | 3.30 | 0.318 | 8.08 | POLY BAGS | - | NO | |
| 68438-XXX | 0.555 | 14.10 | 0.225 | 5.72 | 0.230 | 5.84 | POLY BAGS/TUBES | - | NO | |
| 68439-XXX | 0.720 | 18.29 | 0.120 | 3.05 | 0.500 | 12.70 | POLY BAGS | - | NO | |
| 68464-YYY | 0.650 | 16.51 | 0.120 | 3.05 | 0.430 | 10.92 | POLY BAGS/TUBES | - | NO | |
| 68481-YYY | 0.480 | 12.19 | 0.095 | 2.41 | 0.285 | 7.24 | POLY BAGS/TUBES | - | NO | |
| 68482-YYY | 0.938 | 23.83 | 0.318 | 8.08 | 0.520 | 13.21 | POLY BAGS | - | NO | |
| 68491-YYY | 0.475 | 12.07 | 0.120 | 3.05 | 0.255 | 6.48 | POLY BAGS/TUBES | - | NO | |
| 68600-XXX | 0.825 | 20.96 | 0.115 | 2.92 | 0.610 | 15.49 | POLY BAGS | - | NO | |
| 68601-XXX | 0.620 | 15.75 | 0.120 | 3.05 | 0.400 | 10.16 | POLY BAGS | - | NO | |
| 68602-YYY | 0.480 | 12.19 | 0.150 | 3.81 | 0.230 | 5.84 | BAGS/TAPE&REEL | - | YES | |
| 68690-YYY | 0.533 | 13.54 | 0.115 | 2.92 | 0.318 | 8.08 | POLY BAGS | - | NO | |
| 68691-YYY | 0.538 | 13.67 | 0.120 | 3.05 | 0.318 | 8.08 | POLY BAGS | - | YES | |
| 68692-YYY | 0.430 | 10.92 | 0.100 | 2.54 | 0.230 | 5.84 | POLY BAGS | - | NO | |
| 68693-YYY | 0.938 | 23.83 | 0.520 | 13.21 | 0.318 | 8.08 | POLY BAGS | - | NO | |
| 68716-XXX | 0.828 | 21.03 | 0.410 | 10.41 | 0.318 | 8.08 | POLY BAGS | - | NO | |
| 68734-XXX | 0.615 | 15.62 | 0.230 | 5.84 | 0.285 | 7.24 | POLY BAGS | - | NO | |
| 68737-YYY | 0.440 | 11.18 | 0.110 | 2.79 | 0.230 | 5.84 | POLY BAGS | - | YES | |
| 68738-XXX | 0.615 | 15.62 | 0.115 | 2.92 | 0.400 | 10.16 | POLY BAGS | - | NO | |
| 68739-YYY | 0.486 | 12.34 | 0.156 | 3.96 | 0.230 | 5.84 | POLY BAGS | - | NO | |
| 68743-YYY | 0.638 | 16.21 | 0.220 | 5.59 | 0.318 | 8.08 | POLY BAGS | - | NO | |
| 68749-XXX | 0.838 | 21.29 | 0.420 | 10.67 | 0.318 | 8.08 | POLY BAGS | - | NO | |
| 68779-YYY | 0.736 | 18.69 | 0.318 | 8.08 | 0.318 | 8.08 | POLY BAGS | - | NO | |
| 68783-XXX | 0.375 | 9.53 | 0.045 | 1.14 | 0.230 | 5.84 | POLY BAGS | - | NO | |
| 68799-XXX | 0.925 | 23.50 | 0.595 | 15.11 | 0.230 | 5.84 | POLY BAGS | - | NO | |

Amphenol FCI

© 2016 AFCI

| | | | | | | | | | |
|--------------------------------|----------------|-----------------------|------|---------------------------------------|-------------|----------------------|--|-------------------------------|--|
| mat'l. code SEE NOTES 1 & 2 | | surface ISO 1302 ✓ | | tolerance ISO 406 ISO 1101 | | projection | | product family BERGSTIK | |
| ltr | ecn no | dr | date | tolerances unless otherwise specified | | | | | |
| DK | | | | angles | linear | .XX±0.01/0.3 | | INCH/MM | |
| | | | | 0±2° | | .XXX±0.005/.XXX±0.13 | | scale 2:1 | |
| | | | | dr | T.BREWBAKER | 12/21/94 | | dwg no sheet 4 of 8 size | |
| | | | | enr | T.HANNA | 07/21/99 | | 67996 A3 | |
| | | | | chr | J.MURPHY | 07/21/99 | | type Product Customer Drawing | |
| | | | | appd | T.HANNA | 07/21/99 | | | |
| sheet index | revision sheet | DK | 1-8 | | | | | | |

| PRODUCT NUMBER | TOT. PIN LGTH. | | TAIL LENGTH | | MATING LENGTH | | PACKAGING | NOTES | BERGSTRIPTM AVAILABLE | LF OPTION |
|-----------------------|------------------|------------------|------------------|------------------|------------------|------------------|-----------------|---------|-----------------------|-----------------|
| | DIM F | DIM F | DIM G | DIM G | DIM H | DIM H | | | | |
| | ENGLISH | METRIC | ENGLISH | METRIC | ENGLISH | METRIC | | | | |
| 69132-XYX | 0.760 | 19.30 | 0.120 | 3.05 | 0.540 | 13.72 | POLY BAGS/TUBES | - | NO | OB NOTE 1,13 |
| 69133-XYX | 0.615 | 15.62 | 0.285 | 7.24 | 0.230 | 5.84 | POLY BAGS | - | NO | |
| 69157-XYX | 0.410 | 10.41 | 0.110 | 2.79 | 0.200 | 5.08 | POLY BAGS | - | NO | |
| 71217-XYXH | 1.000 | 25.40 | 0.450 | 11.43 | 0.450 | 11.43 | POLY BAGS | - | NO | |
| 71222-XYXH | 0.850 | 21.59 | 0.250 | 6.35 | 0.500 | 12.70 | POLY BAGS | - | NO | |
| 72273-XYXH | 0.725 | 18.42 | 0.110 | 2.79 | 0.515 | 13.08 | POLY BAGS | - | NO | |
| 72448-XYXH | 0.658 | 16.71 | 0.172 | 4.37 | 0.386 | 9.80 | POLY BAGS | - | NO | |
| 72455-XYXH | 0.598 | 15.19 | 0.180 | 4.57 | 0.318 | 8.08 | POLY BAGS | - | NO | |
| 72455-632HG | 0.598 | 15.19 | 0.180 | 4.57 | 0.318 | 8.08 | GPAX | NOTE 1 | NO | |
| 73503-XYXH | 0.420 | 10.67 | 0.120 | 3.05 | 0.200 | 5.08 | POLY BAGS | - | NO | |
| 73596-XYXH | 0.795 | 20.19 | 0.110 | 2.79 | 0.585 | 14.86 | POLY BAGS | - | NO | |
| 74317-XYXH | 0.532 | 13.51 | 0.309 | 7.85 | 0.123 | 3.12 | POLY BAGS | NOTE 11 | NO | |
| 74318-XYXH | 0.592 | 15.04 | 0.369 | 9.37 | 0.123 | 3.12 | POLY BAGS | NOTE 11 | NO | |
| 74999-XYXH | 0.508 | 12.90 | 0.090 | 2.29 | 0.318 | 8.08 | POLY BAGS | - | NO | |
| 78212-XYX | 0.710 | 18.03 | 0.350 | 8.89 | 0.260 | 6.60 | POLY BAGS | - | NO | |
| 78233-XYX | 0.568 | 14.43 | 0.150 | 3.81 | 0.318 | 8.08 | POLY BAGS | - | NO | |
| 78269-XYX | 0.385 | 9.78 | 0.095 | 2.41 | 0.190 | 4.83 | POLY BAGS | - | NO | |
| 78286-XYX | 0.500 | 12.70 | 0.160 | 4.06 | 0.240 | 6.10 | POLY BAGS/TUBES | - | NO | |
| 78932-XYX | UNAVAILABLE | | UNAVAILABLE | | UNAVAILABLE | | | - | - | |
| 78933-XYX | 0.695 | 17.65 | 0.285 | 7.24 | 0.310 | 7.87 | POLY BAGS | - | NO | |
| 78988-XYX | 0.540 | 13.72 | 0.135 | 3.43 | 0.305 | 7.75 | POLY BAGS | - | NO | |
| 78989-XYX | UNAVAILABLE | | UNAVAILABLE | | UNAVAILABLE | | | - | - | |
| 78990-XYX | UNAVAILABLE | | UNAVAILABLE | | UNAVAILABLE | | | - | - | |
| 78991-XYX | UNAVAILABLE | | UNAVAILABLE | | UNAVAILABLE | | | - | - | |
| 78992-XYX | UNAVAILABLE | | UNAVAILABLE | | UNAVAILABLE | | | - | - | |
| 78993-XYX | UNAVAILABLE | | UNAVAILABLE | | UNAVAILABLE | | | - | - | |
| 78994-XYX | UNAVAILABLE | | UNAVAILABLE | | UNAVAILABLE | | | - | - | |

Amphenol FCI

© 2016 AFCI

| | | | | | |
|--------------------------------|----------------|---------------------------------------|--|----------------|---------------------------------|
| mat'l. code SEE NOTES 1 & 2 | | surface ISO 1302 ✓ | tolerance ISO 406 ISO 1101 | projection | product family BERGSTIK |
| ltr | ecn no dr date | tolerances unless otherwise specified | | | title BERGSTIK II HEADER D/R |
| DK | | angles | linear | | scale 2:1 |
| | | 0±2° | .xxx±0.005/.xxx±0.13 .xxx±0.0020/.xxx±0.051 | | dwg no sheet 5 of 8 size |
| | | dr | T.BREWBAKER 12/21/94 | | 67996 A3 |
| | | enr | T.HANNA 07/21/99 | | type Product Customer Drawing |
| | | chr | J.MURPHY 07/21/99 | | |
| | | appd | T.HANNA 07/21/99 | | |
| sheet index | revision sheet | DK 1-8 | | | |

| PRODUCT NUMBER | TOT. PIN LGTH. | | TAIL LENGTH | | MATING LENGTH | | PACKAGING | NOTES | BERGSTRIPTM AVAILABLE | LF OPTION |
|-----------------------|------------------|------------------|------------------|------------------|------------------|------------------|----------------------|-------------------|--------------------------|-----------------|
| | DIM F | DIM F | DIM G | DIM G | DIM H | DIM H | | | | |
| | ENGLISH | METRIC | ENGLISH | METRIC | ENGLISH | METRIC | | | | |
| 78995-XYY | UNAVAILABLE | | UNAVAILABLE | | UNAVAILABLE | | | - | - | NOTE 1,13 |
| 78996-XYY | UNAVAILABLE | | UNAVAILABLE | | UNAVAILABLE | | | - | - | |
| 79242-XYY | 0.930 | 23.62 | 0.340 | 8.64 | 0.490 | 12.45 | POLY BAGS | - | NO | OB |
| 79243-XYY | 1.230 | 31.24 | 0.390 | 9.91 | 0.740 | 18.80 | POLY BAGS | - | NO | OB |
| 79244-XYY | UNAVAILABLE | | UNAVAILABLE | | UNAVAILABLE | | | - | - | |
| 79268-XYY | 1.020 | 25.91 | 0.120 | 3.05 | 0.800 | 20.32 | POLY BAGS | - | NO | OB |
| 79271-XYY | 1.100 | 27.94 | 0.500 | 12.70 | 0.500 | 12.70 | POLY BAGS | - | NO | OB |
| 79425-XYY | 0.410 | 10.41 | 0.120 | 3.05 | 0.190 | 4.83 | POLY BAGS | - | NO | |
| 79821-XYY | 0.730 | 18.54 | 0.200 | 5.08 | 0.430 | 10.92 | POLY BAGS | - | NO | |
| 84610-XYYH | 0.380 | 9.65 | 0.120 | 3.05 | 0.160 | 4.06 | POLY BAGS | - | NO | OB |
| 84760-XYYH | 0.870 | 22.09 | 0.150 | 3.81 | 0.620 | 15.74 | POLY BAGS | - | NO | OB |
| 84784-XYYH | 1.130 | 28.70 | 0.122 | 3.09 | 0.908 | 23.06 | POLY BAGS | - | NO | OB |
| 84934-XYYH | 1.375 | 34.93 | 0.625 | 15.88 | 0.650 | 16.51 | POLY BAGS | - | NO | OB |
| 84976-XYYH | 0.730 | 18.54 | 0.400 | 10.16 | 0.230 | 5.84 | POLY BAGS | - | NO | OB |
| 86503-XYY | 0.470 | 11.94 | 0.120 | 3.05 | 0.250 | 6.35 | POLY BAGS | - | NO | |
| 86581-XYY | 0.450 | 11.43 | 0.120 | 3.05 | 0.230 | 5.84 | POLY BAGS | NOTE 8 | NO | OB |
| 86817-XYY | 0.925 | 23.50 | 0.120 | 3.05 | 0.705 | 17.91 | POLY BAGS | - | NO | OB |
| 86827-XYY | 0.700 | 17.78 | 0.120 | 3.05 | 0.480 | 12.19 | POLY BAGS | - | NO | OB |
| 86832-XYY | 0.525 | 13.34 | 0.100 | 2.54 | 0.325 | 8.26 | POLY BAGS | - | NO | |
| 86834-XYY | 1.335 | 33.91 | 0.585 | 14.86 | 0.650 | 16.51 | POLY BAGS | - | NO | OB |
| 86836-XYY | 0.870 | 22.10 | 0.120 | 3.05 | 0.650 | 16.51 | POLY BAGS | - | NO | OB |
| 86837-XYY | 0.600 | 15.24 | 0.120 | 3.05 | 0.380 | 9.65 | POLY BAGS | - | NO | |
| 87037-XYY | 1.240 | 31.50 | 0.120 | 3.05 | 1.020 | 25.91 | POLY BAGS | - | NO | OB |
| 87052-XYY | 0.990 | 25.15 | 0.120 | 3.05 | 0.770 | 19.56 | POLY BAGS | - | NO | |
| 87203-XYY | 0.545 | 13.84 | 0.150 | 3.81 | 0.295 | 7.49 | POLY BAGS | - | NO | OB |
| 87344-XYY | 1.375 | 34.93 | 0.219 | 5.56 | 1.056 | 26.82 | POLY BAGS | - | NO | OB NOTE 1,13 |

Amphenol FCI

© 2016 AFCI

| | | | | | | | | | |
|--------------------------------|----------------|---|------|---------------------------------------|-------------|----------------------|--|---------------------------------|--|
| mat'l. code SEE NOTES 1 & 2 | | surface ISO 1302 <input checked="" type="checkbox"/> | | tolerance ISO 406 ISO 1101 | | projection | | product family BERGSTIK | |
| ltr | ecn no | dr | date | tolerances unless otherwise specified | | | | | |
| DK | | | | angles | linear | .xx±0.01/0.3 | | INCH/MM | |
| | | | | 0±2° | | .xxx±0.005/.xxx±0.13 | | scale 2:1 | |
| | | | | dr | T.BREWBAKER | 12/21/94 | | Amphenol FCI | |
| | | | | enr | T.HANNA | 07/21/99 | | title BERGSTIK II HEADER D/R | |
| | | | | chr | J.MURPHY | 07/21/99 | | .100/2.54cc STRAIGHT | |
| | | | | appd | T.HANNA | 07/21/99 | | dwg no 67996 | |
| sheet index | revision sheet | DK | 1-8 | type Product Customer Drawing | | | | | |
| | | | | sheet 6 of 8 size A3 | | | | | |

()

| PRODUCT NUMBER | TOT. PIN | LGTH. | TAIL LENGTH | | MATING LENGTH | | | | BERGSTRIPTM | LF |
|----------------|----------|--------|-------------|--------|---------------|--------|-----------------|--------|-------------|-----------|
| | DIM F | DIM F | DIM G | DIM G | DIM H | DIM H | PACKAGING | NOTES | AVAILABLE | OPTION |
| | ENGLISH | METRIC | ENGLISH | METRIC | ENGLISH | METRIC | | | | |
| 87345-XYX | 1.218 | 30.94 | 0.406 | 10.31 | 0.712 | 18.08 | POLY BAGS | -- | NO | OB |
| 87348-XYX | 0.930 | 23.62 | 0.100 | 2.54 | 0.730 | 18.54 | POLY BAGS | -- | NO | OB |
| 87349-XYX | 0.890 | 22.61 | 0.110 | 2.79 | 0.680 | 17.27 | POLY BAGS | -- | NO | OB |
| 87381-XYX | 0.645 | 16.38 | 0.100 | 2.54 | 0.445 | 11.30 | POLY BAGS | -- | NO | OB |
| 87382-XYX | 0.675 | 17.15 | 0.100 | 2.54 | 0.475 | 12.07 | POLY BAGS | -- | NO | OB |
| 87503-XYXH | 0.630 | 16.00 | 0.110 | 2.79 | 0.420 | 10.67 | POLY BAGS | -- | NO | OB |
| 87869-XYX | 0.690 | 17.53 | 0.230 | 5.84 | 0.360 | 9.14 | POLY BAGS | -- | NO | OB |
| 87894-XYX | 0.588 | 14.94 | 0.170 | 4.32 | 0.318 | 8.08 | POLY BAGS | - | NO | |
| 87900-XYX | 0.940 | 23.88 | 0.120 | 3.05 | 0.720 | 18.29 | POLY BAGS | - | NO | |
| 87901-XYX | 1.040 | 26.42 | 0.120 | 3.05 | 0.820 | 20.83 | POLY BAGS | - | NO | |
| 87903-XYX | 0.963 | 24.46 | 0.337 | 8.56 | 0.526 | 13.36 | POLY BAGS | -- | NO | OB |
| 88797-XYX | 0.950 | 24.13 | 0.320 | 8.13 | 0.530 | 13.46 | POLY BAGS | -- | NO | OB |
| 88812-XYX | 0.415 | 10.54 | 0.085 | 2.16 | 0.230 | 5.84 | POLY BAGS/TUBES | NOTE 8 | NO | OB |
| 88886-XYX | 1.306 | 33.17 | 0.276 | 7.01 | 0.930 | 23.62 | POLY BAGS | -- | NO | OB |
| 89446-XYX | 0.930 | 23.62 | 0.120 | 3.05 | 0.710 | 18.03 | POLY BAGS | -- | NO | OB |
| 89540-XYX | 0.760 | 19.30 | 0.280 | 7.11 | 0.380 | 9.65 | POLY BAGS | -- | NO | OB |
| 89542-XYX | 1.065 | 27.05 | 0.125 | 3.18 | 0.840 | 21.34 | POLY BAGS | -- | NO | OB |
| 89639-XYX | 1.260 | 32.00 | 0.118 | 3.00 | 1.042 | 26.47 | POLY BAGS | -- | NO | OB |
| 91828-XYX | 0.450 | 11.43 | 0.120 | 3.05 | 0.230 | 5.84 | TUBES | -- | NO | OB |
| 92417-XYX | 0.530 | 13.46 | 0.110 | 2.79 | 0.320 | 8.13 | POLY BAGS | - | NO | |
| 93216-XYXH | 0.573 | 14.55 | 0.155 | 3.94 | 0.318 | 8.08 | POLY BAGS/TUBES | -- | NO | OB |
| 93216-632HG | 0.573 | 14.55 | 0.155 | 3.94 | 0.318 | 8.08 | GPAX | NOTE 1 | NO | OB |
| 93217-XYXH | 0.395 | 10.03 | 0.095 | 2.41 | 0.200 | 5.08 | POLY BAGS | -- | NO | OB |
| 93254-XYX | 0.563 | 14.30 | 0.110 | 2.79 | 0.353 | 8.97 | POLY BAGS | - | NO | NOTE 1,13 |

NOTE 1,13

NOTE 1,13

B

Amphenol FCI

()

© 2016 AFCI

()

D

| | | | | | |
|--------------------------------|----------------|---------------------------------------|-------------------------------|----------------|---------------------------------|
| mat'l. code SEE NOTES 1 & 2 | | surface ISO 1302 ✓ | tolerance ISO 406 ISO 1101 | projection | product family BERGSTIK |
| ltr | ecn no dr date | tolerances unless otherwise specified | | | title BERGSTIK II HEADER D/R |
| DK | | angles | linear .XX±0.01/0.3 | INCH/MM | .100/2.54cc STRAIGHT |
| | | 0±2° | .XXX±0.005/.XXX±0.13 | scale 2:1 | dwg no sheet 7 of 8 size |
| | | dr | T.BREWBAKER 12/21/94 | Amphenol FCI | 67996 A3 |
| | | enr | T.HANNA 07/21/99 | | |
| | | chr | J.MURPHY 07/21/99 | | |
| | | appd | T.HANNA 07/21/99 | | type Product Customer Drawing |
| sheet index | revision sheet | DK | 1-8 | | |

D

| PRODUCT NUMBER | TOT. PIN LGTH. | | TAIL LENGTH | | MATING LENGTH | | PACKAGING | NOTES | BERGSTRIK AVAILABLE | LF OPTION |
|----------------------|------------------|------------------|------------------|------------------|------------------|------------------|----------------------|----------------|---------------------|---|
| | DIM F | DIM F | DIM G | DIM G | DIM H | DIM H | | | | |
| | ENGLISH | METRIC | ENGLISH | METRIC | ENGLISH | METRIC | | | | |
| 94010-XYH | 0.756 | 19.20 | 0.350 | 8.89 | 0.306 | 7.77 | POLY BAGS | --- | NO | NOTE 1,13 OB OB OB OB OB OB OB OB OB OB OB OB OB OB |
| 94532-XYH | 1.250 | 31.75 | 0.450 | 11.43 | 0.700 | 17.78 | POLY BAGS | --- | NO | |
| 95105-XYH | 0.370 | 9.40 | 0.126 | 3.20 | 0.144 | 3.66 | POLY BAGS | --- | NO | |
| 95645-XYH | 0.350 | 8.89 | 0.100 | 2.54 | 0.150 | 3.81 | POLY BAGS | --- | NO | |
| 95652-XYH | 0.500 | 12.70 | 0.070 | 1.78 | 0.330 | 8.38 | POLY BAGS | --- | NO | |
| 95665-XYH | 0.835 | 21.21 | 0.335 | 8.51 | 0.400 | 10.16 | POLY BAGS | --- | NO | |
| 95687-XYH | 0.820 | 20.83 | 0.360 | 9.14 | 0.360 | 9.14 | POLY BAGS | - | NO | |
| 95712-XYH | 1.090 | 27.69 | 0.110 | 2.79 | 0.880 | 22.35 | POLY BAGS | --- | NO | |
| 95727-XYH | 0.825 | 20.96 | 0.110 | 2.79 | 0.615 | 15.62 | POLY BAGS | --- | NO | |
| 98181-XYH | 0.760 | 19.30 | 0.218 | 5.54 | 0.442 | 11.23 | POLY BAGS | --- | NO | |
| 98217-XYH | 0.756 | 19.20 | 0.328 | 8.33 | 0.328 | 8.33 | POLY BAGS | --- | NO | |
| 98329-XYH | 0.930 | 23.62 | 0.415 | 10.54 | 0.415 | 10.54 | POLY BAGS | --- | NO | |
| 98854-XYH | 0.450 | 11.43 | 0.120 | 3.05 | 0.230 | 5.84 | TUBES | --- | NO | |
| 10017852-XYH | 0.450 | 11.43 | 0.125 | 3.18 | 0.225 | 5.72 | POLYBAGS | --- | NO | |
| 10074747-XYH | 0.850 | 21.59 | 0.520 | 13.21 | 0.230 | 5.84 | POLYBAGS | --- | NO | |

() Amphenol FCI
 () © 2016 AFCI
 ()
 ()
 ()

| | | | | | |
|--------------------------------|----------------|---------------------------------------|---|----------------|---|
| mat'l. code SEE NOTES 1 & 2 | | surface ISO 1302 ✓ | tolerance ISO 406 ISO 1101 | projection | product family BERGSTIK |
| ltr | ecn no dr date | tolerances unless otherwise specified | | | title BERGSTIK II HEADER D/R .100/2.54cc STRAIGHT |
| DK | | angles | linear | | scale 2:1 |
| | | 0°±2' | .xxx±0.005/.xxx±0.13 .xxxx±0.0020/.xxx±0.051 | | sheet 8 of 8 size A3 |
| | | dr | T.BREWBAKER 12/21/94 | | type Product Customer Drawing |
| | | enr | T.HANNA 07/21/99 | | |
| | | chr | J.MURPHY 07/21/99 | | |
| | | appd | T.HANNA 07/21/99 | | |
| sheet index | revision sheet | DK | 1-8 | | |