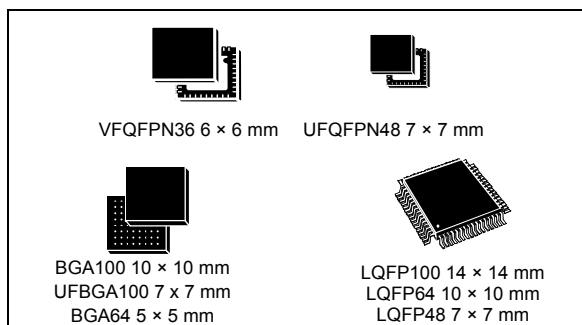


Medium-density performance line Arm<sup>®</sup>-based 32-bit MCU with 64 or 128 KB Flash, USB, CAN, 7 timers, 2 ADCs, 9 com. interfaces

Datasheet - production data

## Features

- Arm<sup>®</sup> 32-bit Cortex<sup>®</sup>-M3 CPU core
  - 72 MHz maximum frequency, 1.25 DMIPS / MHz (Dhrystone 2.1) performance at 0 wait state memory access
  - Single-cycle multiplication and hardware division
- Memories
  - 64 or 128 Kbytes of Flash memory
  - 20 Kbytes of SRAM
- Clock, reset and supply management
  - 2.0 to 3.6 V application supply and I/Os
  - POR, PDR, and programmable voltage detector (PVD)
  - 4 to 16 MHz crystal oscillator
  - Internal 8 MHz factory-trimmed RC
  - Internal 40 kHz RC
  - PLL for CPU clock
  - 32 kHz oscillator for RTC with calibration
- Low-power
  - Sleep, Stop and Standby modes
  - V<sub>BAT</sub> supply for RTC and backup registers
- 2x 12-bit, 1 μs A/D converters (up to 16 channels)
  - Conversion range: 0 to 3.6 V
  - Dual-sample and hold capability
  - Temperature sensor
- DMA
  - 7-channel DMA controller
  - Peripherals supported: timers, ADC, SPIs, I<sup>2</sup>Cs and USARTs
- Up to 80 fast I/O ports
  - 26/37/51/80 I/Os, all mappable on 16 external interrupt vectors and almost all 5 V-tolerant



- Debug mode
  - Serial wire debug (SWD) and JTAG interfaces
- Seven timers
  - Three 16-bit timers, each with up to 4 IC/OC/PWM or pulse counter and quadrature (incremental) encoder input
  - 16-bit, motor control PWM timer with dead-time generation and emergency stop
  - Two watchdog timers (independent and window)
  - SysTick timer 24-bit downcounter
- Up to nine communication interfaces
  - Up to two I<sup>2</sup>C interfaces (SMBus/PMBus<sup>®</sup>)
  - Up to three USARTs (ISO 7816 interface, LIN, IrDA capability, modem control)
  - Up to two SPIs (18 Mbit/s)
  - CAN interface (2.0B Active)
  - USB 2.0 full-speed interface
- CRC calculation unit, 96-bit unique ID
- Packages are ECOPACK<sup>®</sup>

**Table 1. Device summary**

Reference	Part number
STM32F103x8	STM32F103C8, STM32F103R8 STM32F103V8, STM32F103T8
STM32F103xB	STM32F103RB STM32F103VB, STM32F103CB, STM32F103TB

# Contents

- 1 Introduction ..... 9**
- 2 Description ..... 9**
  - 2.1 Device overview ..... 10
  - 2.2 Full compatibility throughout the family ..... 13
  - 2.3 Overview ..... 14
    - 2.3.1 Arm® Cortex®-M3 core with embedded Flash and SRAM ..... 14
    - 2.3.2 Embedded Flash memory ..... 14
    - 2.3.3 CRC (cyclic redundancy check) calculation unit ..... 14
    - 2.3.4 Embedded SRAM ..... 14
    - 2.3.5 Nested vectored interrupt controller (NVIC) ..... 14
    - 2.3.6 External interrupt/event controller (EXTI) ..... 15
    - 2.3.7 Clocks and startup ..... 15
    - 2.3.8 Boot modes ..... 15
    - 2.3.9 Power supply schemes ..... 15
    - 2.3.10 Power supply supervisor ..... 15
    - 2.3.11 Voltage regulator ..... 16
    - 2.3.12 Low-power modes ..... 16
    - 2.3.13 DMA ..... 17
    - 2.3.14 RTC (real-time clock) and backup registers ..... 17
    - 2.3.15 Timers and watchdogs ..... 17
    - 2.3.16 I<sup>2</sup>C bus ..... 19
    - 2.3.17 Universal synchronous/asynchronous receiver transmitter (USART) .. 19
    - 2.3.18 Serial peripheral interface (SPI) ..... 19
    - 2.3.19 Controller area network (CAN) ..... 19
    - 2.3.20 Universal serial bus (USB) ..... 19
    - 2.3.21 GPIOs (general-purpose inputs/outputs) ..... 20
    - 2.3.22 ADC (analog-to-digital converter) ..... 20
    - 2.3.23 Temperature sensor ..... 20
    - 2.3.24 Serial wire JTAG debug port (SWJ-DP) ..... 20
- 3 Pinouts and pin description ..... 21**
- 4 Memory mapping ..... 34**

<b>5</b>	<b>Electrical characteristics</b>	<b>35</b>
5.1	Parameter conditions	35
5.1.1	Minimum and maximum values	35
5.1.2	Typical values	35
5.1.3	Typical curves	35
5.1.4	Loading capacitor	35
5.1.5	Pin input voltage	35
5.1.6	Power supply scheme	36
5.1.7	Current consumption measurement	36
5.2	Absolute maximum ratings	37
5.3	Operating conditions	38
5.3.1	General operating conditions	38
5.3.2	Operating conditions at power-up / power-down	39
5.3.3	Embedded reset and power control block characteristics	39
5.3.4	Embedded reference voltage	40
5.3.5	Supply current characteristics	40
5.3.6	External clock source characteristics	50
5.3.7	Internal clock source characteristics	54
5.3.8	PLL characteristics	56
5.3.9	Memory characteristics	56
5.3.10	EMC characteristics	57
5.3.11	Absolute maximum ratings (electrical sensitivity)	59
5.3.12	I/O current injection characteristics	60
5.3.13	I/O port characteristics	61
5.3.14	NRST pin characteristics	66
5.3.15	TIM timer characteristics	67
5.3.16	Communications interfaces	68
5.3.17	CAN (controller area network) interface	73
5.3.18	12-bit ADC characteristics	74
5.3.19	Temperature sensor characteristics	78
<b>6</b>	<b>Package information</b>	<b>79</b>
6.1	VFQFPN36 package information	79
6.2	UFQFPN48 package information	83
6.3	LFBGA100 package information	86
6.4	LQFP100 package information	89

---

6.5	UFBGA100 package information .....	92
6.6	LQFP64 package information .....	95
6.7	TFBGA64 package information .....	98
6.8	LQFP48 package information .....	101
6.9	Thermal characteristics .....	104
6.9.1	Reference document .....	104
6.9.2	Selecting the product temperature range .....	105
<b>7</b>	<b>Ordering information scheme .....</b>	<b>107</b>
<b>8</b>	<b>Revision history .....</b>	<b>108</b>

## List of tables

Table 1.	Device summary . . . . .	1
Table 2.	STM32F103xx medium-density device features and peripheral counts . . . . .	10
Table 3.	STM32F103xx family . . . . .	13
Table 4.	Timer feature comparison . . . . .	17
Table 5.	Medium-density STM32F103xx pin definitions . . . . .	28
Table 6.	Voltage characteristics . . . . .	37
Table 7.	Current characteristics . . . . .	37
Table 8.	Thermal characteristics . . . . .	37
Table 9.	General operating conditions . . . . .	38
Table 10.	Operating conditions at power-up / power-down . . . . .	39
Table 11.	Embedded reset and power control block characteristics . . . . .	39
Table 12.	Embedded internal reference voltage . . . . .	40
Table 13.	Maximum current consumption in Run mode, code with data processing running from Flash . . . . .	41
Table 14.	Maximum current consumption in Run mode, code with data processing running from RAM . . . . .	41
Table 15.	Maximum current consumption in Sleep mode, code running from Flash or RAM . . . . .	43
Table 16.	Typical and maximum current consumptions in Stop and Standby modes . . . . .	44
Table 17.	Typical current consumption in Run mode, code with data processing running from Flash . . . . .	47
Table 18.	Typical current consumption in Sleep mode, code running from Flash or RAM . . . . .	48
Table 19.	Peripheral current consumption . . . . .	49
Table 20.	High-speed external user clock characteristics . . . . .	50
Table 21.	Low-speed external user clock characteristics . . . . .	51
Table 22.	HSE 4-16 MHz oscillator characteristics . . . . .	52
Table 23.	LSE oscillator characteristics ( $f_{LSE} = 32.768$ kHz) . . . . .	53
Table 24.	HSI oscillator characteristics . . . . .	54
Table 25.	LSI oscillator characteristics . . . . .	55
Table 26.	Low-power mode wakeup timings . . . . .	56
Table 27.	PLL characteristics . . . . .	56
Table 28.	Flash memory characteristics . . . . .	56
Table 29.	Flash memory endurance and data retention . . . . .	57
Table 30.	EMS characteristics . . . . .	58
Table 31.	EMI characteristics . . . . .	58
Table 32.	ESD absolute maximum ratings . . . . .	59
Table 33.	Electrical sensitivities . . . . .	59
Table 34.	I/O current injection susceptibility . . . . .	60
Table 35.	I/O static characteristics . . . . .	61
Table 36.	Output voltage characteristics . . . . .	64
Table 37.	I/O AC characteristics . . . . .	65
Table 38.	NRST pin characteristics . . . . .	66
Table 39.	TIMx characteristics . . . . .	67
Table 40.	I <sup>2</sup> C characteristics . . . . .	68
Table 41.	SCL frequency ( $f_{PCLK1} = 36$ MHz, $V_{DD\_I2C} = 3.3$ V) . . . . .	69
Table 42.	SPI characteristics . . . . .	70
Table 43.	USB startup time . . . . .	72

Table 44.	USB DC electrical characteristics . . . . .	73
Table 45.	USB: Full-speed electrical characteristics . . . . .	73
Table 46.	ADC characteristics . . . . .	74
Table 47.	$R_{AIN}$ max for $f_{ADC} = 14$ MHz . . . . .	75
Table 48.	ADC accuracy - Limited test conditions . . . . .	75
Table 49.	ADC accuracy . . . . .	76
Table 50.	TS characteristics . . . . .	78
Table 51.	VFQFPN36 mechanical data . . . . .	80
Table 52.	UFQFPN48 mechanical data . . . . .	83
Table 53.	LFBGA100 mechanical data . . . . .	86
Table 54.	LFBGA100 recommended PCB design rules (0.8 mm pitch BGA) . . . . .	87
Table 55.	LQFP100 mechanical data . . . . .	89
Table 56.	UFBGA100 mechanical data . . . . .	92
Table 57.	UFBGA100 recommended PCB design rules (0.5 mm pitch BGA) . . . . .	93
Table 58.	LQFP64 mechanical data . . . . .	95
Table 59.	TFBGA64 mechanical data . . . . .	98
Table 60.	TFBGA64 recommended PCB design rules (0.5 mm pitch BGA) . . . . .	99
Table 61.	LQFP48 mechanical data . . . . .	101
Table 62.	Package thermal characteristics . . . . .	104
Table 63.	Document revision history . . . . .	108

## List of figures

Figure 1.	STM32F103xx performance line block diagram	11
Figure 2.	Clock tree	12
Figure 3.	STM32F103xx performance line LFBGA100 ballout	21
Figure 4.	STM32F103xx performance line LQFP100 pinout	22
Figure 5.	STM32F103xx performance line UFBGA100 pinout	23
Figure 6.	STM32F103xx performance line LQFP64 pinout	24
Figure 7.	STM32F103xx performance line TFBGA64 ballout	25
Figure 8.	STM32F103xx performance line LQFP48 pinout	26
Figure 9.	STM32F103xx performance line UFQFPN48 pinout	26
Figure 10.	STM32F103xx performance line VFQFPN36 pinout	27
Figure 11.	Memory map	34
Figure 12.	Pin loading conditions	35
Figure 13.	Pin input voltage	35
Figure 14.	Power supply scheme	36
Figure 15.	Current consumption measurement scheme	36
Figure 16.	Typical current consumption in Run mode versus frequency (at 3.6 V), code with data processing running from RAM, peripherals enabled	42
Figure 17.	Typical current consumption in Run mode versus frequency (at 3.6 V), code with data processing running from RAM, peripherals disabled	42
Figure 18.	Typical current consumption on $V_{BAT}$ (RTC on)	44
Figure 19.	Typical current consumption in Stop mode, with regulator in Run mode	45
Figure 20.	Typical current consumption in Stop mode, with regulator in Low-power mode	45
Figure 21.	Typical current consumption in Standby mode	46
Figure 22.	High-speed external clock source AC timing diagram	51
Figure 23.	Low-speed external clock source AC timing diagram	52
Figure 24.	Typical application with an 8 MHz crystal	53
Figure 25.	Typical application with a 32.768 kHz crystal	54
Figure 26.	Standard I/O input characteristics - CMOS port	62
Figure 27.	Standard I/O input characteristics - TTL port	62
Figure 28.	5 V tolerant I/O input characteristics - CMOS port	63
Figure 29.	5 V tolerant I/O input characteristics - TTL port	63
Figure 30.	I/O AC characteristics definition	66
Figure 31.	Recommended NRST pin protection	67
Figure 32.	I <sup>2</sup> C bus AC waveforms and measurement circuit	69
Figure 33.	SPI timing diagram - slave mode and CPHA = 0	71
Figure 34.	SPI timing diagram - slave mode and CPHA = 1 <sup>(1)</sup>	71
Figure 35.	SPI timing diagram - master mode <sup>(1)</sup>	72
Figure 36.	USB timings: definition of data signal rise and fall time	73
Figure 37.	ADC accuracy characteristics	76
Figure 38.	Typical connection diagram using the ADC	77
Figure 39.	Power supply and reference decoupling ( $V_{REF+}$ not connected to $V_{DDA}$ )	77
Figure 40.	Power supply and reference decoupling ( $V_{REF+}$ connected to $V_{DDA}$ )	78
Figure 41.	VFQFPN36 outline	79
Figure 42.	VFQFPN36 recommended footprint	81
Figure 43.	VFQFPN36 package top view example	82
Figure 44.	UFQFPN48 outline	83
Figure 45.	UFQFPN48 recommended footprint	84
Figure 46.	UFQFPN48 package top view example	85

---

Figure 47.	LFBGA100 outline	86
Figure 48.	LFBGA100 recommended footprint	87
Figure 49.	LFBGA100 package top view example	88
Figure 50.	LQFP100 outline	89
Figure 51.	LQFP100 recommended footprint	90
Figure 52.	LQFP100 package top view example	91
Figure 53.	UFBGA100 - outline	92
Figure 54.	UFBGA100 recommended footprint	93
Figure 55.	UFBGA100 package top view example	94
Figure 56.	LQFP64 outline	95
Figure 57.	LQFP64 recommended footprint	96
Figure 58.	LQFP64 package top view example	97
Figure 59.	TFBGA64 outline	98
Figure 60.	TFBGA64 recommended footprint	99
Figure 61.	TFBGA64 package top view example	100
Figure 62.	LQFP48 outline	101
Figure 63.	LQFP48 - 48-pin recommended footprint	102
Figure 64.	LQFP48 package top view example	103
Figure 65.	LQFP100 $P_D$ max vs. $T_A$	106



# 1 Introduction

This document provides the ordering information and mechanical device characteristics of the STM32F103x8 and STM32F103xB medium-density performance line microcontrollers. For more details on the whole STMicroelectronics STM32F103xx family, refer to [Section 2.2: Full compatibility throughout the family](#).

The medium-density STM32F103xx datasheet must be read in conjunction with the low-, medium- and high-density STM32F10xxx reference manual. The reference and Flash programming manuals are both available from the STMicroelectronics website [www.st.com](http://www.st.com).

For information on the Arm<sup>®(a)</sup> Cortex<sup>®</sup>-M3 core refer to the Cortex<sup>®</sup>-M3 Technical Reference Manual, available from the [www.arm.com](http://www.arm.com) website.

# 2 Description

The STM32F103xx medium-density performance line family incorporates the high-performance Arm<sup>®</sup> Cortex<sup>®</sup>-M3 32-bit RISC core operating at a 72 MHz frequency, high-speed embedded memories (Flash memory up to 128 Kbytes and SRAM up to 20 Kbytes), and an extensive range of enhanced I/Os and peripherals connected to two APB buses. All devices offer two 12-bit ADCs, three general purpose 16-bit timers plus one PWM timer, as well as standard and advanced communication interfaces: up to two I<sup>2</sup>Cs and SPIs, three USARTs, an USB and a CAN.

The devices operate from a 2.0 to 3.6 V power supply. They are available in both the –40 to +85 °C temperature range and the –40 to +105 °C extended temperature range. A comprehensive set of power-saving mode allows the design of low-power applications.

The STM32F103xx medium-density performance line family includes devices in six different package types: from 36 pins to 100 pins. Depending on the device chosen, different sets of peripherals are included, the description below gives an overview of the complete range of peripherals proposed in this family.

These features make the STM32F103xx medium-density performance line microcontroller family suitable for a wide range of applications such as motor drives, application control, medical and handheld equipment, PC and gaming peripherals, GPS platforms, industrial applications, PLCs, inverters, printers, scanners, alarm systems, video intercoms, and HVACs.



---

a. Arm is a registered trademark of Arm Limited (or its subsidiaries) in the US and/or elsewhere.

## 2.1 Device overview

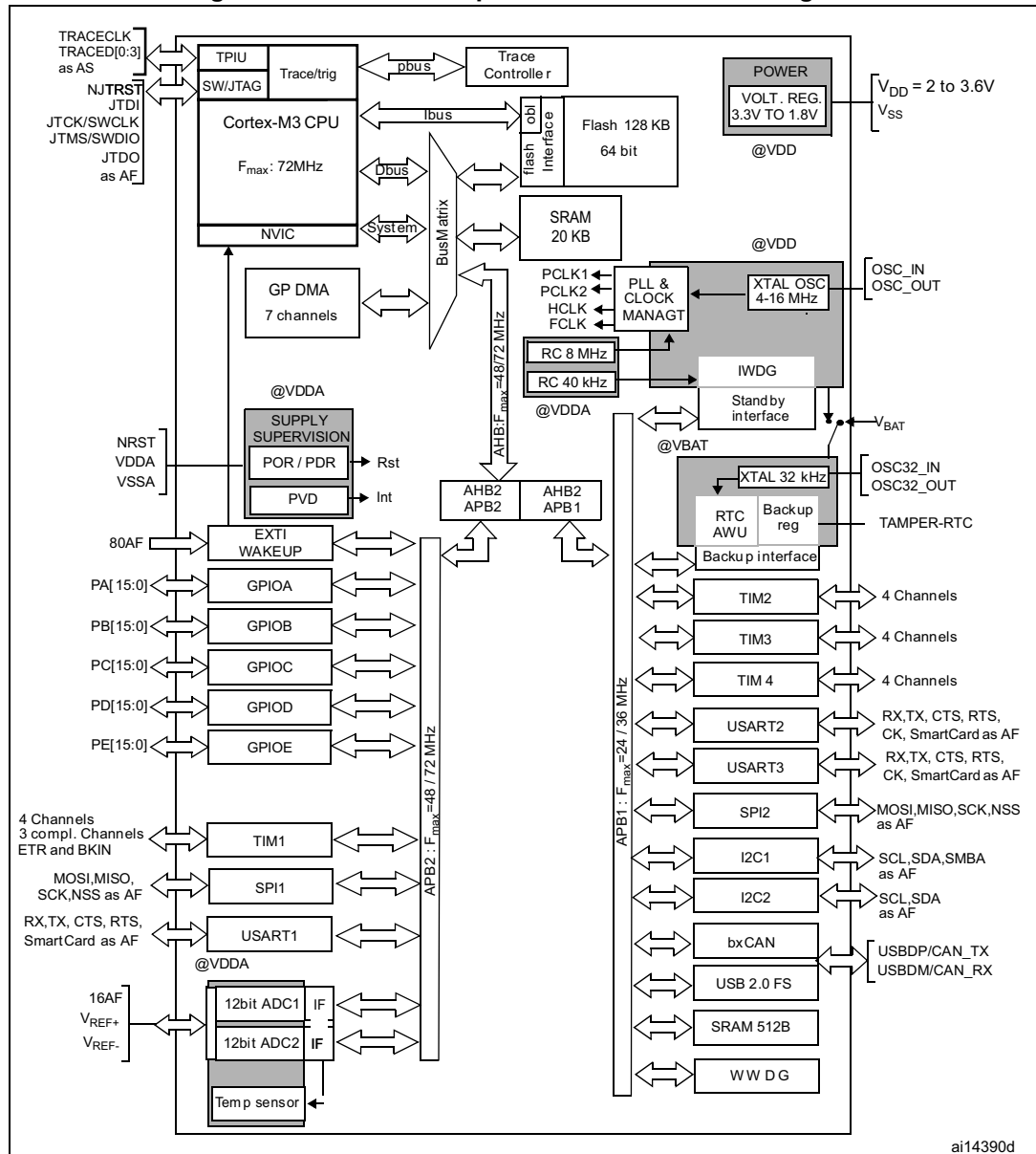
Table 2. STM32F103xx medium-density device features and peripheral counts

Peripheral		STM32F103Tx		STM32F103Cx		STM32F103Rx		STM32F103Vx	
Flash - Kbytes		64	128	64	128	64	128	64	128
SRAM - Kbytes		20		20		20		20	
Timers	General-purpose	3		3		3		3	
	Advanced-control	1		1		1		1	
Communication	SPI	1		2		2		2	
	I <sup>2</sup> C	1		2		2		2	
	USART	2		3		3		3	
	USB	1		1		1		1	
	CAN	1		1		1		1	
GPIOs		26		37		51		80	
12-bit synchronized ADC		2		2		2		2	
Number of channels		10 channels		10 channels		16 channels <sup>(1)</sup>		16 channels	
CPU frequency		72 MHz							
Operating voltage		2.0 to 3.6 V							
Operating temperatures		Ambient temperatures: -40 to +85 °C / -40 to +105 °C (see <a href="#">Table 9</a> ) Junction temperature: -40 to + 125 °C (see <a href="#">Table 9</a> )							
Packages		VFQFPN36		LQFP48, UFQFPN48		LQFP64, TFBGA64		LQFP100, LFBGA100, UFBGA100	

1. On the TFBGA64 package only 15 channels are available (one analog input pin has been replaced by V<sub>REF+</sub>).



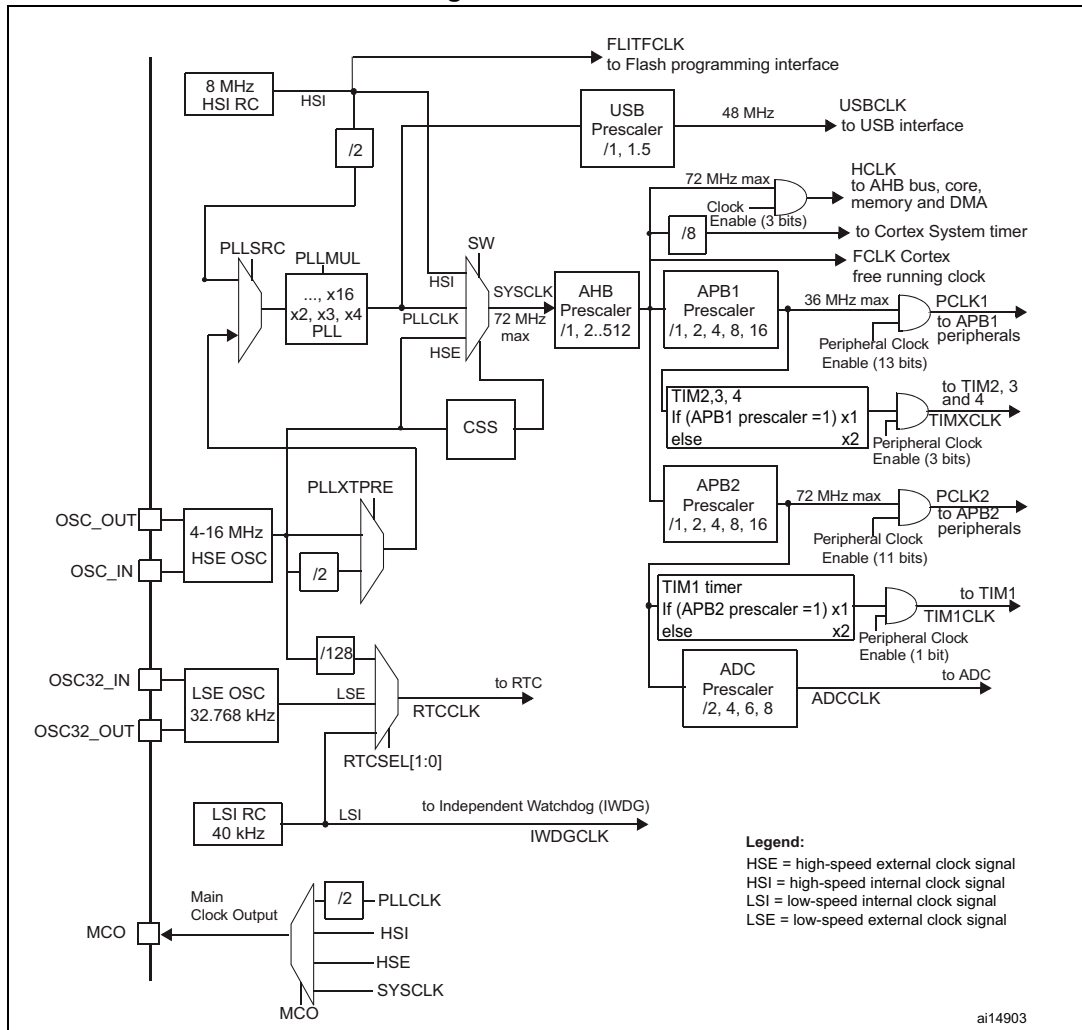
Figure 1. STM32F103xx performance line block diagram



ai14390d

1.  $T_A = -40\text{ }^\circ\text{C}$  to  $+105\text{ }^\circ\text{C}$  (junction temperature up to  $125\text{ }^\circ\text{C}$ ).
2. AF = alternate function on I/O port pin.

Figure 2. Clock tree



1. When the HSI is used as a PLL clock input, the maximum system clock frequency that can be achieved is 64 MHz.
2. For the availability of the USB function both HSE and PLL must be enabled, with USBCLK running at 48 MHz.
3. To have an ADC conversion time of 1  $\mu$ s, APB2 must be at 14 MHz, 28 MHz or 56 MHz.

## 2.2 Full compatibility throughout the family

The STM32F103xx is a complete family whose members are fully pin-to-pin, software and feature compatible. In the reference manual, the STM32F103x4 and STM32F103x6 are identified as low-density devices, the STM32F103x8 and STM32F103xB are referred to as medium-density devices, and the STM32F103xC, STM32F103xD and STM32F103xE are referred to as high-density devices.

Low- and high-density devices are an extension of the STM32F103x8/B devices, they are specified in the STM32F103x4/6 and STM32F103xC/D/E datasheets, respectively. Low-density devices feature lower Flash memory and RAM capacities, less timers and peripherals. High-density devices have higher Flash memory and RAM capacities, and additional peripherals like SDIO, FSMC, I<sup>2</sup>S and DAC, while remaining fully compatible with the other members of the STM32F103xx family.

The STM32F103x4, STM32F103x6, STM32F103xC, STM32F103xD and STM32F103xE are a drop-in replacement for STM32F103x8/B medium-density devices, allowing the user to try different memory densities and providing a greater degree of freedom during the development cycle.

Moreover, the STM32F103xx performance line family is fully compatible with all existing STM32F101xx access line and STM32F102xx USB access line devices.

**Table 3. STM32F103xx family**

Pinout	Low-density devices		Medium-density devices		High-density devices		
	16 KB Flash	32 KB Flash	64 KB Flash	128 KB Flash	256 KB Flash	384 KB Flash	512 KB Flash
	6 KB RAM	10 KB RAM	20 KB RAM	20 KB RAM	48 KB RAM	64 KB RAM	64 KB RAM
144	-	-	-	-	5× USARTs		
100	-	-	3× USARTs 3× 16-bit timers 2× SPIs, 2× I <sup>2</sup> Cs, USB, CAN, 1× PWM timer 2× ADCs		4× 16-bit timers, 2× basic timers 3× SPIs, 2× I <sup>2</sup> Ss, 2× I <sup>2</sup> Cs USB, CAN, 2× PWM timers 3× ADCs, 2× DACs, 1× SDIO FSMC (100 and 144 pins)		
64	2× USARTs 2× 16-bit timers 1× SPI, 1× I <sup>2</sup> C, USB, CAN, 1× PWM timer				-	-	-
48	2× ADCs				-	-	-
36			-	-	-	-	

## 2.3 Overview

### 2.3.1 Arm<sup>®</sup> Cortex<sup>®</sup>-M3 core with embedded Flash and SRAM

The Arm<sup>®</sup> Cortex<sup>®</sup>-M3 processor is the latest generation of Arm processors for embedded systems. It has been developed to provide a low-cost platform that meets the needs of MCU implementation, with a reduced pin count and low-power consumption, while delivering outstanding computational performance and an advanced system response to interrupts.

The Arm<sup>®</sup> Cortex<sup>®</sup>-M3 32-bit RISC processor features exceptional code-efficiency, delivering the high-performance expected from an Arm core in the memory size usually associated with 8- and 16-bit devices.

The STM32F103xx performance line family having an embedded Arm core, is therefore compatible with all Arm tools and software.

*Figure 1* shows the general block diagram of the device family.

### 2.3.2 Embedded Flash memory

64 or 128 Kbytes of embedded Flash is available for storing programs and data.

### 2.3.3 CRC (cyclic redundancy check) calculation unit

The CRC (cyclic redundancy check) calculation unit is used to get a CRC code from a 32-bit data word and a fixed generator polynomial.

Among other applications, CRC-based techniques are used to verify data transmission or storage integrity. In the scope of the EN/IEC 60335-1 standard, they offer a means of verifying the Flash memory integrity. The CRC calculation unit helps compute a signature of the software during runtime, to be compared with a reference signature generated at link-time and stored at a given memory location.

### 2.3.4 Embedded SRAM

Twenty Kbytes of embedded SRAM accessed (read/write) at CPU clock speed with 0 wait states.

### 2.3.5 Nested vectored interrupt controller (NVIC)

The STM32F103xx performance line embeds a nested vectored interrupt controller able to handle up to 43 maskable interrupt channels (not including the 16 interrupt lines of Cortex<sup>®</sup>-M3) and 16 priority levels.

- Closely coupled NVIC gives low-latency interrupt processing
- Interrupt entry vector table address passed directly to the core
- Closely coupled NVIC core interface
- Allows early processing of interrupts
- Processing of *late arriving* higher priority interrupts
- Support for tail-chaining
- Processor state automatically saved
- Interrupt entry restored on interrupt exit with no instruction overhead

This hardware block provides flexible interrupt management features with minimal interrupt latency.

### 2.3.6 External interrupt/event controller (EXTI)

The external interrupt/event controller consists of 19 edge detector lines used to generate interrupt/event requests. Each line can be independently configured to select the trigger event (rising edge, falling edge, both) and can be masked independently. A pending register maintains the status of the interrupt requests. The EXTI can detect an external line with a pulse width shorter than the Internal APB2 clock period. Up to 80 GPIOs can be connected to the 16 external interrupt lines.

### 2.3.7 Clocks and startup

System clock selection is performed on startup, however the internal RC 8 MHz oscillator is selected as default CPU clock on reset. An external 4-16 MHz clock can be selected, in which case it is monitored for failure. If failure is detected, the system automatically switches back to the internal RC oscillator. A software interrupt is generated if enabled. Similarly, full interrupt management of the PLL clock entry is available when necessary (for example on failure of an indirectly used external crystal, resonator or oscillator).

Several prescalers allow the configuration of the AHB frequency, the high-speed APB (APB2) and the low-speed APB (APB1) domains. The maximum frequency of the AHB and the high-speed APB domains is 72 MHz. The maximum allowed frequency of the low-speed APB domain is 36 MHz. See [Figure 2](#) for details on the clock tree.

### 2.3.8 Boot modes

At startup, boot pins are used to select one of three boot options:

- Boot from user Flash
- Boot from System memory
- Boot from embedded SRAM

The boot loader is located in System memory. It is used to reprogram the Flash memory by using USART1. For further details refer to AN2606, available on [www.st.com](http://www.st.com).

### 2.3.9 Power supply schemes

- $V_{DD} = 2.0$  to  $3.6$  V: external power supply for I/Os and the internal regulator. Provided externally through  $V_{DD}$  pins.
- $V_{SSA}, V_{DDA} = 2.0$  to  $3.6$  V: external analog power supplies for ADC, reset blocks, RCs and PLL (minimum voltage to be applied to  $V_{DDA}$  is 2.4 V when the ADC is used).  $V_{DDA}$  and  $V_{SSA}$  must be connected to  $V_{DD}$  and  $V_{SS}$ , respectively.
- $V_{BAT} = 1.8$  to  $3.6$  V: power supply for RTC, external clock 32 kHz oscillator and backup registers (through power switch) when  $V_{DD}$  is not present.

For more details on how to connect power pins, refer to [Figure 14: Power supply scheme](#).

### 2.3.10 Power supply supervisor

The device has an integrated power-on reset (POR) / power-down reset (PDR) circuitry. It is always active, and ensures proper operation starting from/down to 2 V. The device remains

in reset mode when  $V_{DD}$  is below a specified threshold,  $V_{POR/PDR}$ , without the need for an external reset circuit.

The device features an embedded programmable voltage detector (PVD) that monitors the  $V_{DD}/V_{DDA}$  power supply and compares it to the  $V_{PVD}$  threshold. An interrupt can be generated when  $V_{DD}/V_{DDA}$  drops below the  $V_{PVD}$  threshold and/or when  $V_{DD}/V_{DDA}$  is higher than the  $V_{PVD}$  threshold. The interrupt service routine can then generate a warning message and/or put the MCU into a safe state. The PVD is enabled by software.

Refer to [Table 11](#) for the values of  $V_{POR/PDR}$  and  $V_{PVD}$ .

### 2.3.11 Voltage regulator

The regulator has three operation modes: main (MR), low-power (LPR) and power down.

- MR is used in the nominal regulation mode (Run)
- LPR is used in the Stop mode
- Power down is used in Standby mode: the regulator output is in high impedance: the kernel circuitry is powered down, inducing zero consumption (but the contents of the registers and SRAM are lost)

This regulator is always enabled after reset. It is disabled in Standby mode, providing high impedance output.

### 2.3.12 Low-power modes

The STM32F103xx performance line supports three low-power modes to achieve the best compromise between low-power consumption, short startup time and available wakeup sources:

- **Sleep mode**

In Sleep mode, only the CPU is stopped. All peripherals continue to operate and can wake up the CPU when an interrupt/event occurs.

- **Stop mode**

The Stop mode achieves the lowest power consumption while retaining the content of SRAM and registers. All clocks in the 1.8 V domain are stopped, the PLL, the HSI RC and the HSE crystal oscillators are disabled. The voltage regulator can also be put either in normal or in low-power mode.

The device can be woken up from Stop mode by any of the EXTI line. The EXTI line source can be one of the 16 external lines, the PVD output, the RTC alarm or the USB wakeup.

- **Standby mode**

The Standby mode is used to achieve the lowest power consumption. The internal voltage regulator is switched off so that the entire 1.8 V domain is powered off. The PLL, the HSI RC and the HSE crystal oscillators are also switched off. After entering Standby mode, SRAM and register contents are lost except for registers in the Backup domain and Standby circuitry.

The device exits Standby mode when an external reset (NRST pin), an IWDG reset, a rising edge on the WKUP pin, or an RTC alarm occurs.

*Note: The RTC, the IWDG, and the corresponding clock sources are not stopped by entering Stop or Standby mode.*



### 2.3.13 DMA

The flexible 7-channel general-purpose DMA is able to manage memory-to-memory, peripheral-to-memory and memory-to-peripheral transfers. The DMA controller supports circular buffer management avoiding the generation of interrupts when the controller reaches the end of the buffer.

Each channel is connected to dedicated hardware DMA requests, with support for software trigger on each channel. Configuration is made by software and transfer sizes between source and destination are independent.

The DMA can be used with the main peripherals: SPI, I<sup>2</sup>C, USART, general-purpose and advanced-control timers TIMx and ADC.

### 2.3.14 RTC (real-time clock) and backup registers

The RTC and the backup registers are supplied through a switch that takes power either on V<sub>DD</sub> supply when present or through the V<sub>BAT</sub> pin. The backup registers are ten 16-bit registers used to store 20 bytes of user application data when V<sub>DD</sub> power is not present.

The real-time clock provides a set of continuously running counters which can be used with suitable software to provide a clock calendar function, and provides an alarm interrupt and a periodic interrupt. It is clocked by a 32.768 kHz external crystal, resonator or oscillator, the internal low-power RC oscillator or the high-speed external clock divided by 128. The internal low-power RC has a typical frequency of 40 kHz. The RTC can be calibrated using an external 512 Hz output to compensate for any natural crystal deviation. The RTC features a 32-bit programmable counter for long-term measurement using the Compare register to generate an alarm. A 20-bit prescaler is used for the time base clock and is by default configured to generate a time base of 1 second from a clock at 32.768 kHz.

### 2.3.15 Timers and watchdogs

The medium-density STM32F103xx performance line devices include an advanced-control timer, three general-purpose timers, two watchdog timers and a SysTick timer.

[Table 4](#) compares the features of the advanced-control and general-purpose timers.

**Table 4. Timer feature comparison**

Timer	Counter resolution	Counter type	Prescaler factor	DMA request generation	Capture/compare channels	Complementary outputs
TIM1	16-bit	Up, down, up/down	Any integer between 1 and 65536	Yes	4	Yes
TIM2, TIM3, TIM4	16-bit	Up, down, up/down	Any integer between 1 and 65536	Yes	4	No

### Advanced-control timer (TIM1)

The advanced-control timer (TIM1) can be seen as a three-phase PWM multiplexed on 6 channels. It has complementary PWM outputs with programmable inserted dead-times. It can also be seen as a complete general-purpose timer. The 4 independent channels can be used for

- Input capture
- Output compare
- PWM generation (edge- or center-aligned modes)
- One-pulse mode output

If configured as a general-purpose 16-bit timer, it has the same features as the TIMx timer. If configured as the 16-bit PWM generator, it has full modulation capability (0-100%).

In debug mode, the advanced-control timer counter can be frozen and the PWM outputs disabled to turn off any power switch driven by these outputs.

Many features are shared with those of the general-purpose TIM timers which have the same architecture. The advanced-control timer can therefore work together with the TIM timers via the Timer Link feature for synchronization or event chaining.

### General-purpose timers (TIMx)

There are up to three synchronizable general-purpose timers embedded in the STM32F103xx performance line devices. These timers are based on a 16-bit auto-reload up/down counter, a 16-bit prescaler and feature four independent channels each for input capture/output compare, PWM or one-pulse mode output. This gives up to 12 input captures/output compares/PWMs on the largest packages.

The general-purpose timers can work together with the advanced-control timer via the Timer Link feature for synchronization or event chaining. Their counter can be frozen in debug mode. Any of the general-purpose timers can be used to generate PWM outputs. They all have independent DMA request generation.

These timers are capable of handling quadrature (incremental) encoder signals and the digital outputs from one to three Hall-effect sensors.

### Independent watchdog

The independent watchdog is based on a 12-bit downcounter and 8-bit prescaler. It is clocked from an independent 40 kHz internal RC and as it operates independently of the main clock, it can operate in Stop and Standby modes. It can be used either as a watchdog to reset the device when a problem occurs, or as a free-running timer for application timeout management. It is hardware- or software-configurable through the option bytes. The counter can be frozen in debug mode.

### Window watchdog

The window watchdog is based on a 7-bit downcounter that can be set as free-running. It can be used as a watchdog to reset the device when a problem occurs. It is clocked from the main clock. It has an early warning interrupt capability and the counter can be frozen in debug mode.

### **SysTick timer**

This timer is dedicated for OS, but can be used also as a standard downcounter. It features:

- A 24-bit downcounter
- Autoreload capability
- Maskable system interrupt generation when the counter reaches 0
- Programmable clock source

### **2.3.16 I<sup>2</sup>C bus**

Up to two I<sup>2</sup>C bus interfaces can operate in multimaster and slave modes. They can support standard and fast modes.

They support dual slave addressing (7-bit only) and both 7/10-bit addressing in master mode. A hardware CRC generation/verification is embedded.

They can be served by DMA and they support SM Bus 2.0/PM Bus.

### **2.3.17 Universal synchronous/asynchronous receiver transmitter (USART)**

One of the USART interfaces is able to communicate at speeds of up to 4.5 Mbit/s. The other available interfaces communicate at up to 2.25 Mbit/s. They provide hardware management of the CTS and RTS signals, IrDA SIR ENDEC support, are ISO 7816 compliant and have LIN Master/Slave capability.

All USART interfaces can be served by the DMA controller.

### **2.3.18 Serial peripheral interface (SPI)**

Up to two SPIs are able to communicate up to 18 Mbits/s in slave and master modes in full-duplex and simplex communication modes. The 3-bit prescaler gives 8 master mode frequencies and the frame is configurable to 8 bits or 16 bits. The hardware CRC generation/verification supports basic SD Card/MMC modes.

Both SPIs can be served by the DMA controller.

### **2.3.19 Controller area network (CAN)**

The CAN is compliant with specifications 2.0A and B (active) with a bit rate up to 1 Mbit/s. It can receive and transmit standard frames with 11-bit identifiers as well as extended frames with 29-bit identifiers. It has three transmit mailboxes, two receive FIFOs with three stages and 14 scalable filter banks.

### **2.3.20 Universal serial bus (USB)**

The STM32F103xx performance line embeds a USB device peripheral compatible with the USB full-speed 12 Mbs. The USB interface implements a full-speed (12 Mbit/s) function interface. It has software-configurable endpoint setting and suspend/resume support. The dedicated 48 MHz clock is generated from the internal main PLL (the clock source must use a HSE crystal oscillator).

### 2.3.21 GPIOs (general-purpose inputs/outputs)

Each of the GPIO pins can be configured by software as output (push-pull or open-drain), as input (with or without pull-up or pull-down) or as peripheral alternate function. Most of the GPIO pins are shared with digital or analog alternate functions. All GPIOs are high current-capable.

The I/Os alternate function configuration can be locked if needed following a specific sequence in order to avoid spurious writing to the I/Os registers.

I/Os on APB2 with up to 18 MHz toggling speed.

### 2.3.22 ADC (analog-to-digital converter)

Two 12-bit analog-to-digital converters are embedded into STM32F103xx performance line devices and each ADC shares up to 16 external channels, performing conversions in single-shot or scan modes. In scan mode, automatic conversion is performed on a selected group of analog inputs.

Additional logic functions embedded in the ADC interface allow:

- Simultaneous sample and hold
- Interleaved sample and hold
- Single shunt

The ADC can be served by the DMA controller.

An analog watchdog feature allows very precise monitoring of the converted voltage of one, some or all selected channels. An interrupt is generated when the converted voltage is outside the programmed thresholds.

The events generated by the general-purpose timers (TIMx) and the advanced-control timer (TIM1) can be internally connected to the ADC start trigger, injection trigger, and DMA trigger respectively, to allow the application to synchronize A/D conversion and timers.

### 2.3.23 Temperature sensor

The temperature sensor has to generate a voltage that varies linearly with temperature. The conversion range is between  $2\text{ V} < V_{\text{DDA}} < 3.6\text{ V}$ . The temperature sensor is internally connected to the ADC12\_IN16 input channel which is used to convert the sensor output voltage into a digital value.

### 2.3.24 Serial wire JTAG debug port (SWJ-DP)

The Arm SWJ-DP Interface is embedded. and is a combined JTAG and serial wire debug port that enables either a serial wire debug or a JTAG probe to be connected to the target. The JTAG TMS and TCK pins are shared with SWDIO and SWCLK, respectively, and a specific sequence on the TMS pin is used to switch between JTAG-DP and SW-DP.

### 3 Pinouts and pin description

Figure 3. STM32F103xx performance line LFBGA100 ballout

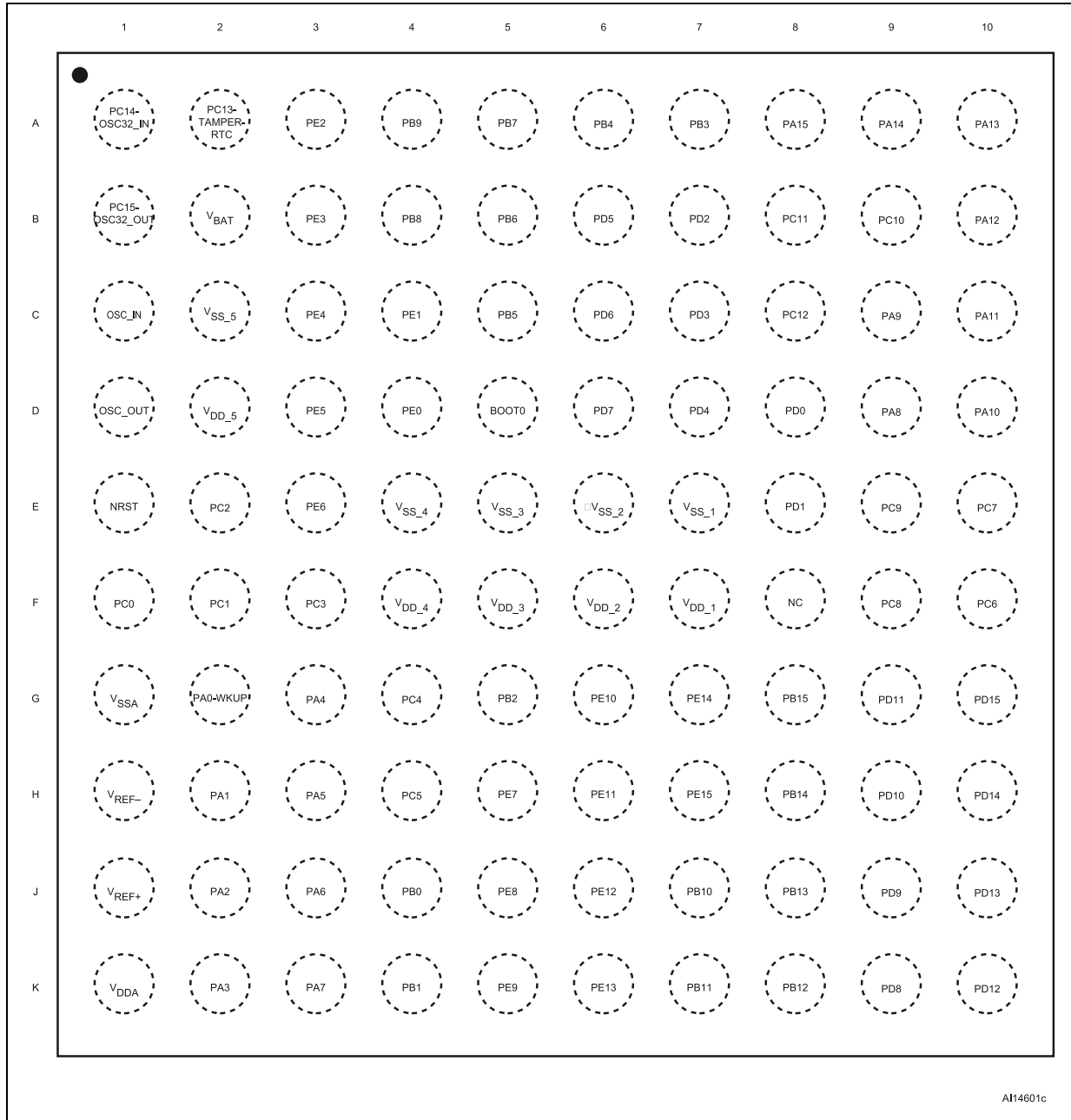


Figure 4. STM32F103xx performance line LQFP100 pinout

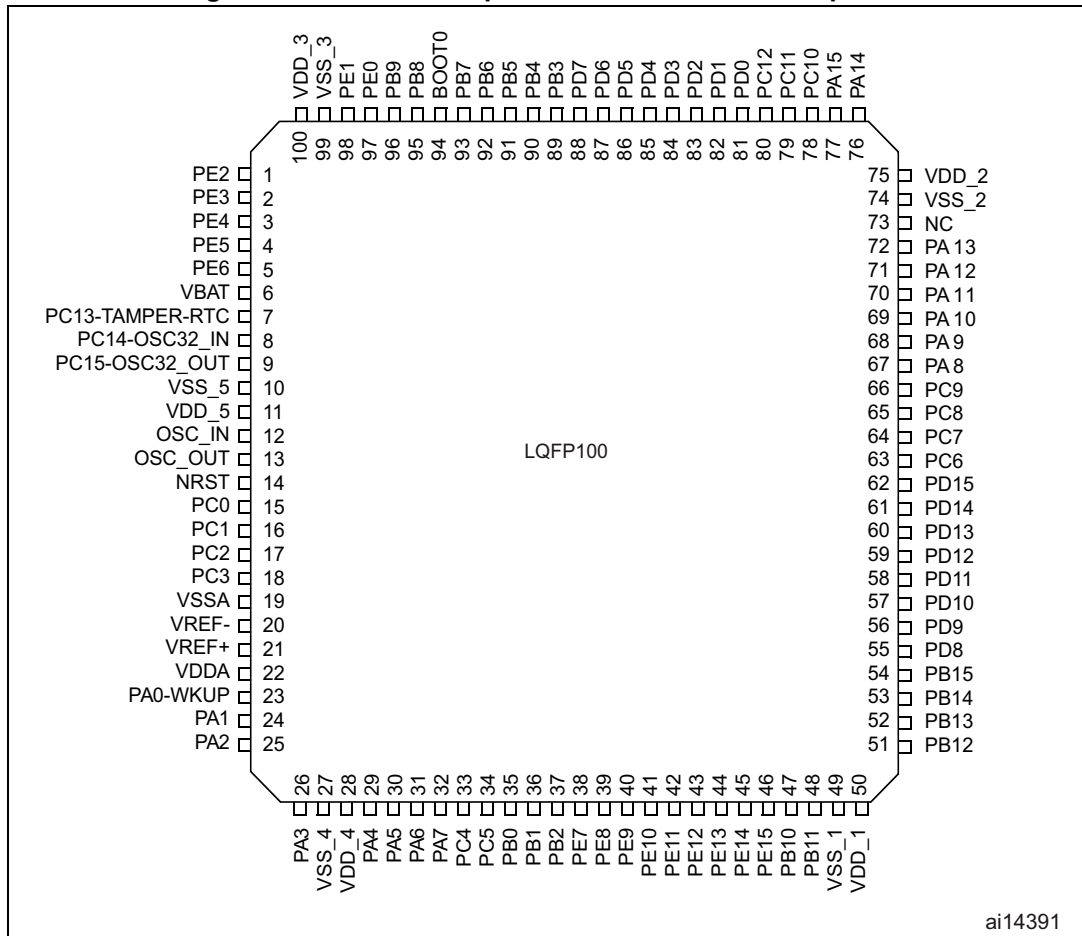
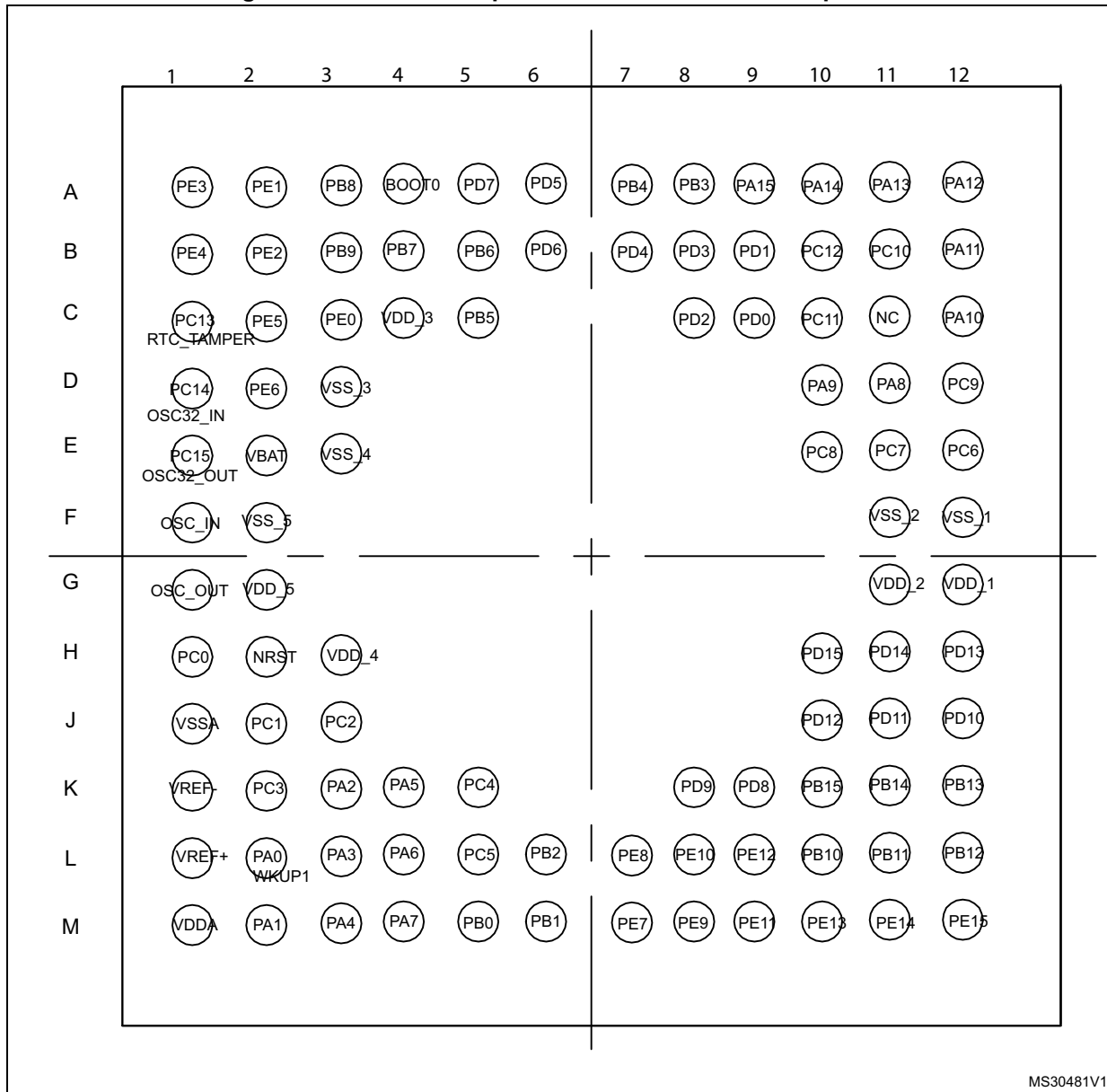


Figure 5. STM32F103xx performance line UFBGA100 pinout



MS30481V1

Figure 6. STM32F103xx performance line LQFP64 pinout

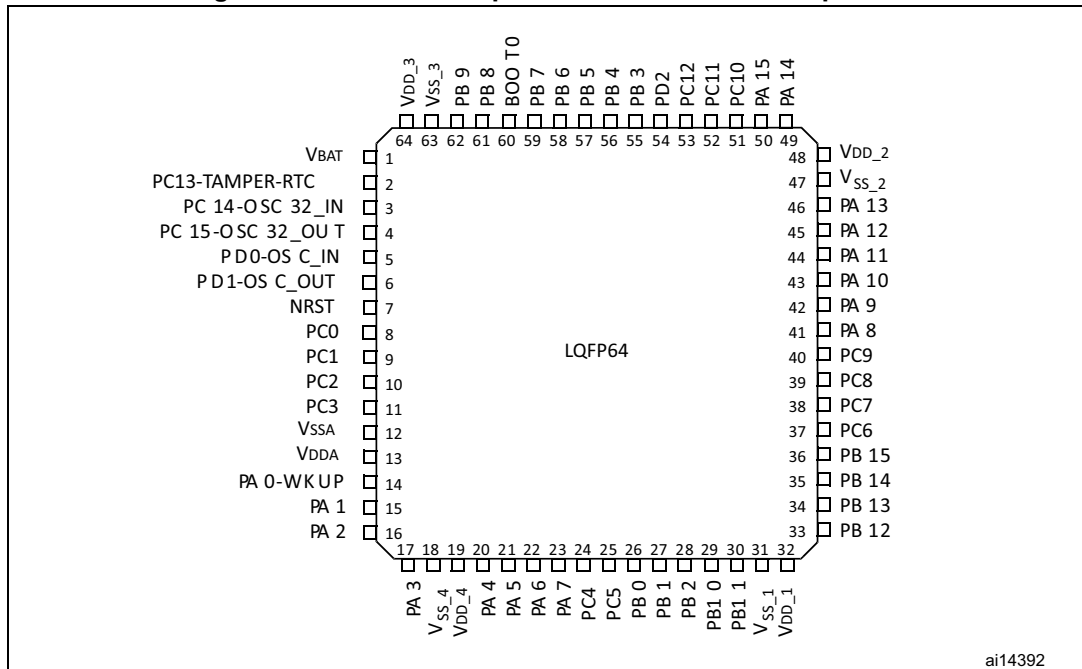




Figure 7. STM32F103xx performance line TFBGA64 ballout

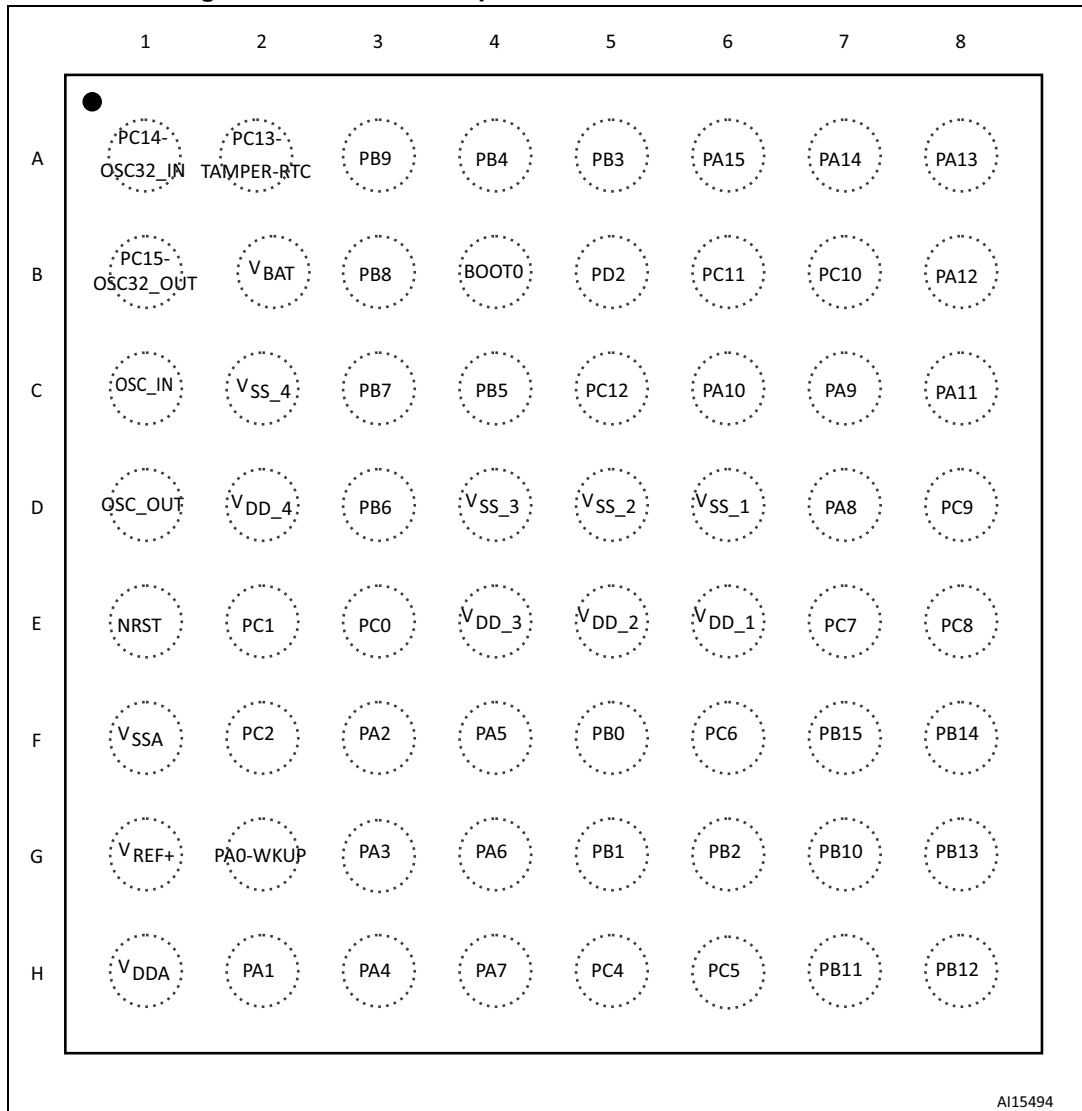


Figure 8. STM32F103xx performance line LQFP48 pinout

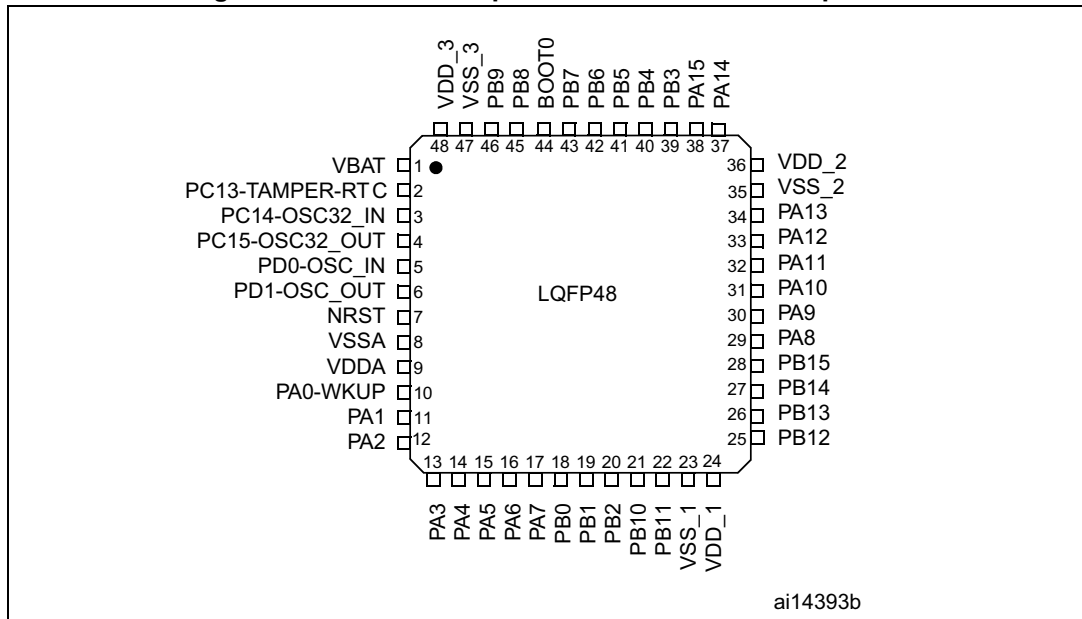


Figure 9. STM32F103xx performance line UFQFPN48 pinout

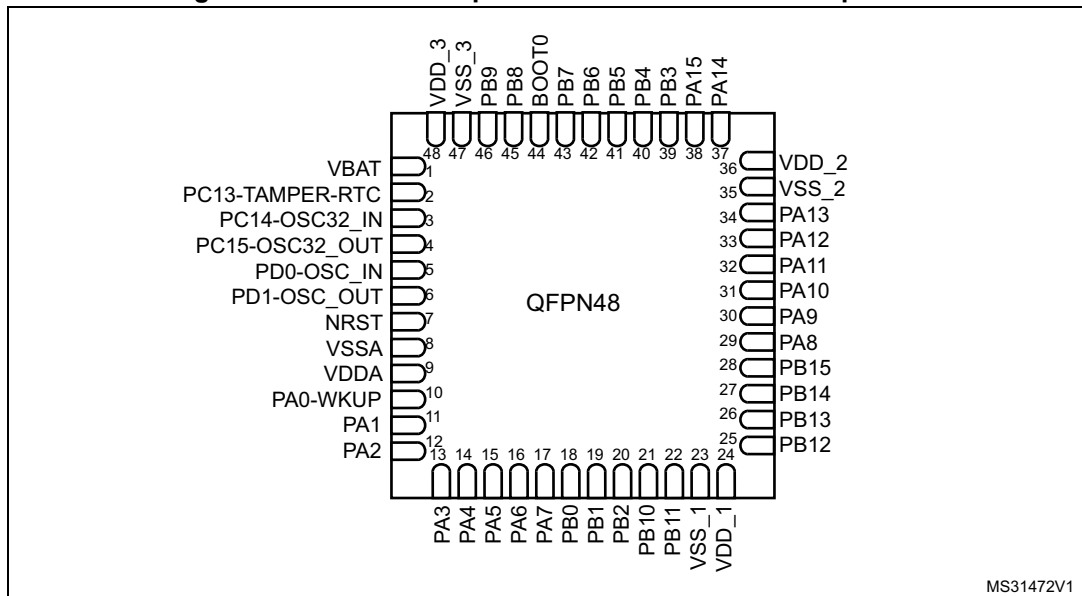


Figure 10. STM32F103xx performance line VFQFPN36 pinout

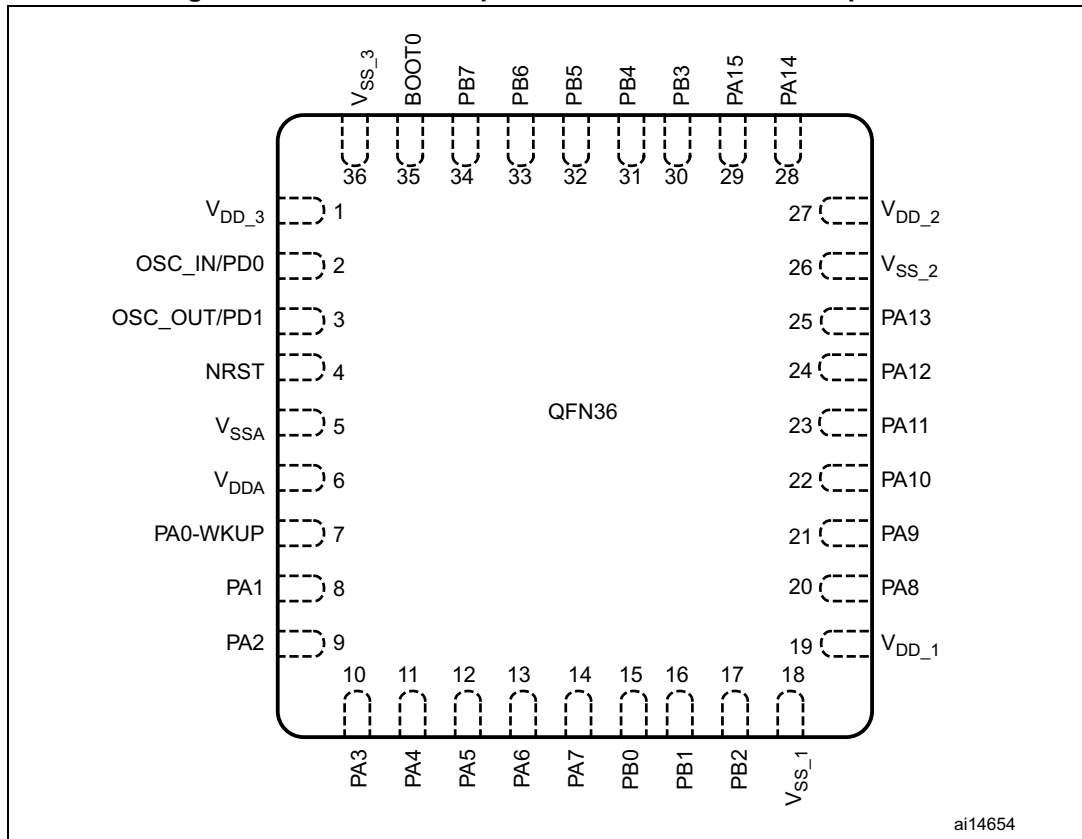


Table 5. Medium-density STM32F103xx pin definitions

Pins							Pin name	Type <sup>(1)</sup>	I / O Level <sup>(2)</sup>	Main function <sup>(3)</sup> (after reset)	Alternate functions <sup>(4)</sup>	
LFPGA100	UFBG100	LQFP48/UFQFPN48	TFBGA64	LQFP64	LQFP100	VFQFPN36					Default	Remap
A3	B2	-	-	-	1	-	PE2	I/O	FT	PE2	TRACECK	-
B3	A1	-	-	-	2	-	PE3	I/O	FT	PE3	TRACED0	-
C3	B1	-	-	-	3	-	PE4	I/O	FT	PE4	TRACED1	-
D3	C2	-	-	-	4	-	PE5	I/O	FT	PE5	TRACED2	-
E3	D2	-	-	-	5	-	PE6	I/O	FT	PE6	TRACED3	-
B2	E2	1	B2	1	6	-	V <sub>BAT</sub>	S	-	V <sub>BAT</sub>	-	-
A2	C1	2	A2	2	7	-	PC13-TAMPER-RTC <sup>(5)</sup>	I/O	-	PC13 <sup>(6)</sup>	TAMPER-RTC	-
A1	D1	3	A1	3	8	-	PC14-OSC32_IN <sup>(5)</sup>	I/O	-	PC14 <sup>(6)</sup>	OSC32_IN	-
B1	E1	4	B1	4	9	-	PC15-OSC32_OUT <sup>(5)</sup>	I/O	-	PC15 <sup>(6)</sup>	OSC32_OUT	-
C2	F2	-	-	-	10	-	V <sub>SS_5</sub>	S	-	V <sub>SS_5</sub>	-	-
D2	G2	-	-	-	11	-	V <sub>DD_5</sub>	S	-	V <sub>DD_5</sub>	-	-
C1	F1	5	C1	5	12	2	OSC_IN	I	-	OSC_IN	-	PD0 <sup>(7)</sup>
D1	G1	6	D1	6	13	3	OSC_OUT	O	-	OSC_OUT	-	PD1 <sup>(7)</sup>
E1	H2	7	E1	7	14	4	NRST	I/O	-	NRST	-	-
F1	H1	-	E3	8	15	-	PC0	I/O	-	PC0	ADC12_IN10	-
F2	J2	-	E2	9	16	-	PC1	I/O	-	PC1	ADC12_IN11	-
E2	J3	-	F2	10	17	-	PC2	I/O	-	PC2	ADC12_IN12	-
F3	K2	-	- <sup>(8)</sup>	11	18	-	PC3	I/O	-	PC3	ADC12_IN13	-
G1	J1	8	F1	12	19	5	V <sub>SSA</sub>	S	-	V <sub>SSA</sub>	-	-
H1	K1	-	-	-	20	-	V <sub>REF-</sub>	S	-	V <sub>REF-</sub>	-	-
J1	L1	-	G1 <sup>(8)</sup>	-	21	-	V <sub>REF+</sub>	S	-	V <sub>REF+</sub>	-	-
K1	M1	9	H1	13	22	6	V <sub>DDA</sub>	S	-	V <sub>DDA</sub>	-	-

Table 5. Medium-density STM32F103xx pin definitions (continued)

Pins							Pin name	Type <sup>(1)</sup>	I/O Level <sup>(2)</sup>	Main function <sup>(3)</sup> (after reset)	Alternate functions <sup>(4)</sup>	
LFBGA100	UFBG100	LQFP48/UFQFPN48	TFBGA64	LQFP64	LQFP100	VFQFPN36					Default	Remap
G2	L2	10	G2	14	23	7	PA0-WKUP	I/O	-	PA0	WKUP/ USART2_CTS <sup>(9)</sup> / ADC12_IN0/ TIM2_CH1_ ETR <sup>(9)</sup>	-
H2	M2	11	H2	15	24	8	PA1	I/O	-	PA1	USART2_RTS <sup>(9)</sup> / ADC12_IN1/ TIM2_CH2 <sup>(9)</sup>	-
J2	K3	12	F3	16	25	9	PA2	I/O	-	PA2	USART2_TX <sup>(9)</sup> / ADC12_IN2/ TIM2_CH3 <sup>(9)</sup>	-
K2	L3	13	G3	17	26	10	PA3	I/O	-	PA3	USART2_RX <sup>(9)</sup> / ADC12_IN3/ TIM2_CH4 <sup>(9)</sup>	-
E4	E3	-	C2	18	27	-	V <sub>SS_4</sub>	S	-	V <sub>SS_4</sub>	-	-
F4	H3	-	D2	19	28	-	V <sub>DD_4</sub>	S	-	V <sub>DD_4</sub>	-	-
G3	M3	14	H3	20	29	11	PA4	I/O	-	PA4	SPI1_NSS <sup>(9)</sup> / USART2_CK <sup>(9)</sup> / ADC12_IN4	-
H3	K4	15	F4	21	30	12	PA5	I/O	-	PA5	SPI1_SCK <sup>(9)</sup> / ADC12_IN5	-
J3	L4	16	G4	22	31	13	PA6	I/O	-	PA6	SPI1_MISO <sup>(9)</sup> / ADC12_IN6/ TIM3_CH1 <sup>(9)</sup>	TIM1_BKIN
K3	M4	17	H4	23	32	14	PA7	I/O	-	PA7	SPI1_MOSI <sup>(9)</sup> / ADC12_IN7/ TIM3_CH2 <sup>(9)</sup>	TIM1_CH1N
G4	K5	-	H5	24	33		PC4	I/O	-	PC4	ADC12_IN14	-
H4	L5	-	H6	25	34		PC5	I/O	-	PC5	ADC12_IN15	-
J4	M5	18	F5	26	35	15	PB0	I/O	-	PB0	ADC12_IN8/ TIM3_CH3 <sup>(9)</sup>	TIM1_CH2N
K4	M6	19	G5	27	36	16	PB1	I/O	-	PB1	ADC12_IN9/ TIM3_CH4 <sup>(9)</sup>	TIM1_CH3N

Table 5. Medium-density STM32F103xx pin definitions (continued)

Pins							Pin name	Type <sup>(1)</sup>	I/O Level <sup>(2)</sup>	Main function <sup>(3)</sup> (after reset)	Alternate functions <sup>(4)</sup>	
LFBGA100	UFBG100	LQFP48/UFQFPN48	TFBGA64	LQFP64	LQFP100	VFQFPN36					Default	Remap
G5	L6	20	G6	28	37	17	PB2	I/O	FT	PB2/BOOT1	-	-
H5	M7	-	-	-	38	-	PE7	I/O	FT	PE7	-	TIM1_ETR
J5	L7	-	-	-	39	-	PE8	I/O	FT	PE8	-	TIM1_CH1N
K5	M8	-	-	-	40	-	PE9	I/O	FT	PE9	-	TIM1_CH1
G6	L8	-	-	-	41	-	PE10	I/O	FT	PE10	-	TIM1_CH2N
H6	M9	-	-	-	42	-	PE11	I/O	FT	PE11	-	TIM1_CH2
J6	L9	-	-	-	43	-	PE12	I/O	FT	PE12	-	TIM1_CH3N
K6	M10	-	-	-	44	-	PE13	I/O	FT	PE13	-	TIM1_CH3
G7	M11	-	-	-	45	-	PE14	I/O	FT	PE14	-	TIM1_CH4
H7	M12	-	-	-	46	-	PE15	I/O	FT	PE15	-	TIM1_BKIN
J7	L10	21	G7	29	47	-	PB10	I/O	FT	PB10	I2C2_SCL/ USART3_TX <sup>(9)</sup>	TIM2_CH3
K7	L11	22	H7	30	48	-	PB11	I/O	FT	PB11	I2C2_SDA/ USART3_RX <sup>(9)</sup>	TIM2_CH4
E7	F12	23	D6	31	49	18	V <sub>SS_1</sub>	S	-	V <sub>SS_1</sub>	-	-
F7	G12	24	E6	32	50	19	V <sub>DD_1</sub>	S	-	V <sub>DD_1</sub>	-	-
K8	L12	25	H8	33	51	-	PB12	I/O	FT	PB12	SPI2_NSS/ I2C2_SMBAL/ USART3_CK <sup>(9)</sup> / TIM1_BKIN <sup>(9)</sup>	-
J8	K12	26	G8	34	52	-	PB13	I/O	FT	PB13	SPI2_SCK/ USART3_CTS <sup>(9)</sup> / TIM1_CH1N <sup>(9)</sup>	-
H8	K11	27	F8	35	53	-	PB14	I/O	FT	PB14	SPI2_MISO/ USART3_RTS <sup>(9)</sup> / TIM1_CH2N <sup>(9)</sup>	-
G8	K10	28	F7	36	54	-	PB15	I/O	FT	PB15	SPI2_MOSI/ TIM1_CH3N <sup>(9)</sup>	-
K9	K9	-	-	-	55	-	PD8	I/O	FT	PD8	-	USART3_TX
J9	K8	-	-	-	56	-	PD9	I/O	FT	PD9	-	USART3_RX

Table 5. Medium-density STM32F103xx pin definitions (continued)

Pins							Pin name	Type <sup>(1)</sup>	I/O Level <sup>(2)</sup>	Main function <sup>(3)</sup> (after reset)	Alternate functions <sup>(4)</sup>	
LFBGA100	UFBG100	LQFP48/UFQFPN48	TFBGA64	LQFP64	LQFP100	VFQFPN36					Default	Remap
H9	J12	-	-	-	57	-	PD10	I/O	FT	PD10	-	USART3_CK
G9	J11	-	-	-	58	-	PD11	I/O	FT	PD11	-	USART3_CTS
K10	J10	-	-	-	59	-	PD12	I/O	FT	PD12	-	TIM4_CH1 / USART3_RTS
J10	H12	-	-	-	60	-	PD13	I/O	FT	PD13	-	TIM4_CH2
H10	H11	-	-	-	61	-	PD14	I/O	FT	PD14	-	TIM4_CH3
G10	H10	-	-	-	62	-	PD15	I/O	FT	PD15	-	TIM4_CH4
F10	E12	-	F6	37	63	-	PC6	I/O	FT	PC6	-	TIM3_CH1
E10	E11	-	E7	38	64	-	PC7	I/O	FT	PC7	-	TIM3_CH2
F9	E10	-	E8	39	65	-	PC8	I/O	FT	PC8	-	TIM3_CH3
E9	D12	-	D8	40	66	-	PC9	I/O	FT	PC9	-	TIM3_CH4
D9	D11	29	D7	41	67	20	PA8	I/O	FT	PA8	USART1_CK/ TIM1_CH1 <sup>(9)</sup> / MCO	-
C9	D10	30	C7	42	68	21	PA9	I/O	FT	PA9	USART1_TX <sup>(9)</sup> / TIM1_CH2 <sup>(9)</sup>	-
D10	C12	31	C6	43	69	22	PA10	I/O	FT	PA10	USART1_RX <sup>(9)</sup> / TIM1_CH3 <sup>(9)</sup>	-
C10	B12	32	C8	44	70	23	PA11	I/O	FT	PA11	USART1_CTS/ CANRX <sup>(9)</sup> / USBDM/ TIM1_CH4 <sup>(9)</sup>	-
B10	A12	33	B8	45	71	24	PA12	I/O	FT	PA12	USART1_RTS/ CANTX <sup>(9)</sup> / /USBDP TIM1_ETR <sup>(9)</sup>	-
A10	A11	34	A8	46	72	25	PA13	I/O	FT	JTMS/SWDIO	-	PA13
F8	C11	-	-	-	73	-	Not connected					-
E6	F11	35	D5	47	74	26	V <sub>SS_2</sub>	S	-	V <sub>SS_2</sub>	-	-
F6	G11	36	E5	48	75	27	V <sub>DD_2</sub>	S	-	V <sub>DD_2</sub>	-	-

Table 5. Medium-density STM32F103xx pin definitions (continued)

Pins							Pin name	Type <sup>(1)</sup>	I/O Level <sup>(2)</sup>	Main function <sup>(3)</sup> (after reset)	Alternate functions <sup>(4)</sup>	
LFPGA100	UFBG100	LQFP48/UFQFPN48	TFBGA64	LQFP64	LQFP100	VFQFPN36					Default	Remap
A9	A10	37	A7	49	76	28	PA14	I/O	FT	JTCK/SWCLK	-	PA14
A8	A9	38	A6	50	77	29	PA15	I/O	FT	JTDI	-	TIM2_CH1_ETR/ PA15/SPI1_NSS
B9	B11	-	B7	51	78		PC10	I/O	FT	PC10	-	USART3_TX
B8	C10	-	B6	52	79		PC11	I/O	FT	PC11	-	USART3_RX
C8	B10	-	C5	53	80		PC12	I/O	FT	PC12	-	USART3_CK
D8	C9	-	C1	-	81	2	PD0	I/O	FT	PD0	-	CANRX
E8	B9	-	D1	-	82	3	PD1	I/O	FT	PD1	-	CANTX
B7	C8		B5	54	83	-	PD2	I/O	FT	PD2	TIM3_ETR	-
C7	B8	-	-	-	84	-	PD3	I/O	FT	PD3	-	USART2_CTS
D7	B7	-	-	-	85	-	PD4	I/O	FT	PD4	-	USART2_RTS
B6	A6	-	-	-	86	-	PD5	I/O	FT	PD5	-	USART2_TX
C6	B6	-	-	-	87	-	PD6	I/O	FT	PD6	-	USART2_RX
D6	A5	-	-	-	88	-	PD7	I/O	FT	PD7	-	USART2_CK
A7	A8	39	A5	55	89	30	PB3	I/O	FT	JTDO	-	TIM2_CH2 / PB3 TRACESWO SPI1_SCK
A6	A7	40	A4	56	90	31	PB4	I/O	FT	JNTRST	-	TIM3_CH1/ PB4/ SPI1_MISO
C5	C5	41	C4	57	91	32	PB5	I/O		PB5	I2C1_SMBAL	TIM3_CH2 / SPI1_MOSI
B5	B5	42	D3	58	92	33	PB6	I/O	FT	PB6	I2C1_SCL <sup>(9)</sup> / TIM4_CH1 <sup>(9)</sup>	USART1_TX
A5	B4	43	C3	59	93	34	PB7	I/O	FT	PB7	I2C1_SDA <sup>(9)</sup> / TIM4_CH2 <sup>(9)</sup>	USART1_RX
D5	A4	44	B4	60	94	35	BOOT0	I		BOOT0	-	-



Table 5. Medium-density STM32F103xx pin definitions (continued)

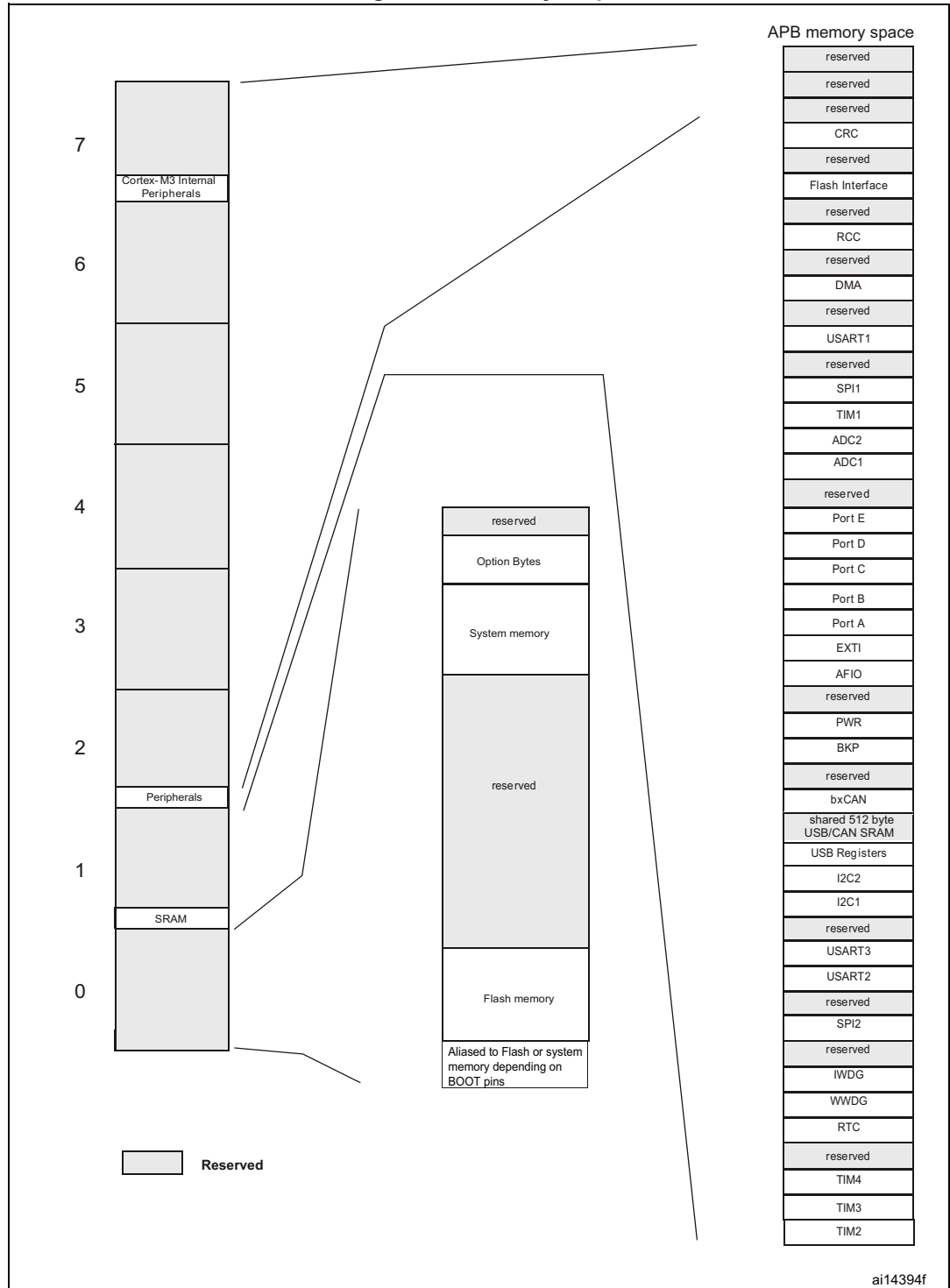
Pins							Pin name	Type <sup>(1)</sup>	I/O Level <sup>(2)</sup>	Main function <sup>(3)</sup> (after reset)	Alternate functions <sup>(4)</sup>	
LFPGA100	UFBG100	LQFP48/UFQFPN48	TFBGA64	LQFP64	LQFP100	VFQFPN36					Default	Remap
B4	A3	45	B3	61	95	-	PB8	I/O	FT	PB8	TIM4_CH3 <sup>(9)</sup>	I2C1_SCL / CANRX
A4	B3	46	A3	62	96	-	PB9	I/O	FT	PB9	TIM4_CH4 <sup>(9)</sup>	I2C1_SDA / CANTX
D4	C3	-	-	-	97	-	PE0	I/O	FT	PE0	TIM4_ETR	-
C4	A2	-	-	-	98	-	PE1	I/O	FT	PE1	-	-
E5	D3	47	D4	63	99	36	V <sub>SS_3</sub>	S	-	V <sub>SS_3</sub>	-	-
F5	C4	48	E4	64	100	1	V <sub>DD_3</sub>	S	-	V <sub>DD_3</sub>	-	-

1. I = input, O = output, S = supply.
2. FT = 5 V tolerant.
3. Function availability depends upon the chosen device. For devices having reduced peripheral counts, it is always the lower number of peripheral that is included. For example, if a device has only one SPI and two USARTs, they are called SPI1 and USART1 and USART2, respectively. Refer to [Table 2](#).
4. If several peripherals share the same I/O pin, to avoid conflict between these alternate functions only one peripheral should be enabled at a time through the peripheral clock enable bit (in the corresponding RCC peripheral clock enable register).
5. PC13, PC14 and PC15 are supplied through the power switch. Since the switch only sinks a limited amount of current (3 mA), the use of GPIOs PC13 to PC15 in output mode is limited: the speed should not exceed 2 MHz with a maximum load of 30 pF and these IOs must not be used as a current source (e.g. to drive a LED).
6. Main function after the first backup domain power-up. Later on, it depends on the contents of the Backup registers even after reset (because these registers are not reset by the main reset). For details on how to manage these IOs, refer to the Battery backup domain and BKP register description sections in the STM32F10xxx reference manual, available from the STMicroelectronics website: [www.st.com](http://www.st.com).
7. The pins number 2 and 3 in the VFQFPN36 package, 5 and 6 in the LQFP48, UFQFP48 and LQFP64 packages, and C1 and C2 in the TFBGA64 package are configured as OSC\_IN/OSC\_OUT after reset, however the functionality of PD0 and PD1 can be remapped by software on these pins. For the LQFP100 package, PD0 and PD1 are available by default, so there is no need for remapping. For more details, refer to the Alternate function I/O and debug configuration section in the STM32F10xxx reference manual. The use of PD0 and PD1 in output mode is limited as they can only be used at 50 MHz in output mode.
8. Unlike in the LQFP64 package, there is no PC3 in the TFBGA64 package. The V<sub>REF+</sub> functionality is provided instead.
9. This alternate function can be remapped by software to some other port pins (if available on the used package). For more details, refer to the Alternate function I/O and debug configuration section in the STM32F10xxx reference manual, available from the STMicroelectronics website: [www.st.com](http://www.st.com).

# 4 Memory mapping

The memory map is shown in *Figure 11*.

Figure 11. Memory map



## 5 Electrical characteristics

### 5.1 Parameter conditions

Unless otherwise specified, all voltages are referenced to  $V_{SS}$ .

#### 5.1.1 Minimum and maximum values

Unless otherwise specified the minimum and maximum values are guaranteed in the worst conditions of ambient temperature, supply voltage and frequencies by tests in production on 100% of the devices with an ambient temperature at  $T_A = 25\text{ }^\circ\text{C}$  and  $T_A = T_{A\text{max}}$  (given by the selected temperature range).

Data based on characterization results, design simulation and/or technology characteristics are indicated in the table footnotes and are not tested in production. Based on characterization, the minimum and maximum values refer to sample tests and represent the mean value plus or minus three times the standard deviation (mean  $\pm 3\sigma$ ).

#### 5.1.2 Typical values

Unless otherwise specified, typical data are based on  $T_A = 25\text{ }^\circ\text{C}$ ,  $V_{DD} = 3.3\text{ V}$  (for the  $2\text{ V} \leq V_{DD} \leq 3.6\text{ V}$  voltage range). They are given only as design guidelines and are not tested.

Typical ADC accuracy values are determined by characterization of a batch of samples from a standard diffusion lot over the full temperature range, where 95% of the devices have an error less than or equal to the value indicated (mean  $\pm 2\sigma$ ).

#### 5.1.3 Typical curves

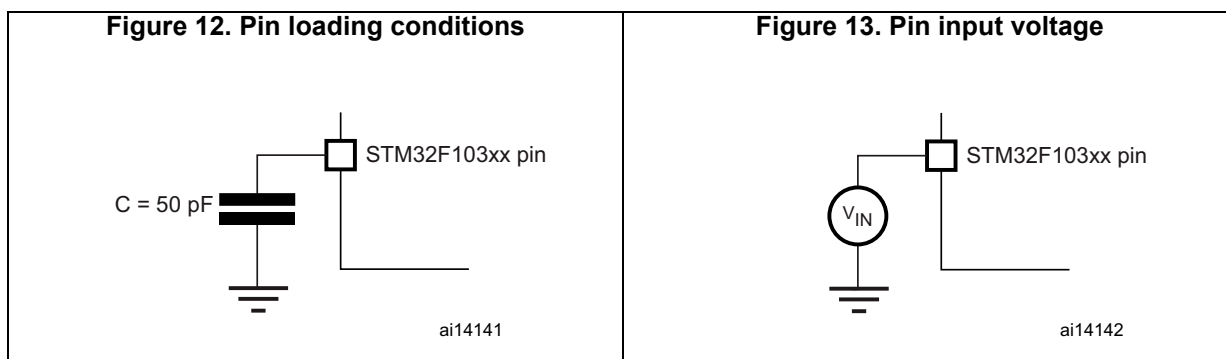
Unless otherwise specified, all typical curves are given only as design guidelines and are not tested.

#### 5.1.4 Loading capacitor

The loading conditions used for pin parameter measurement are shown in [Figure 12](#).

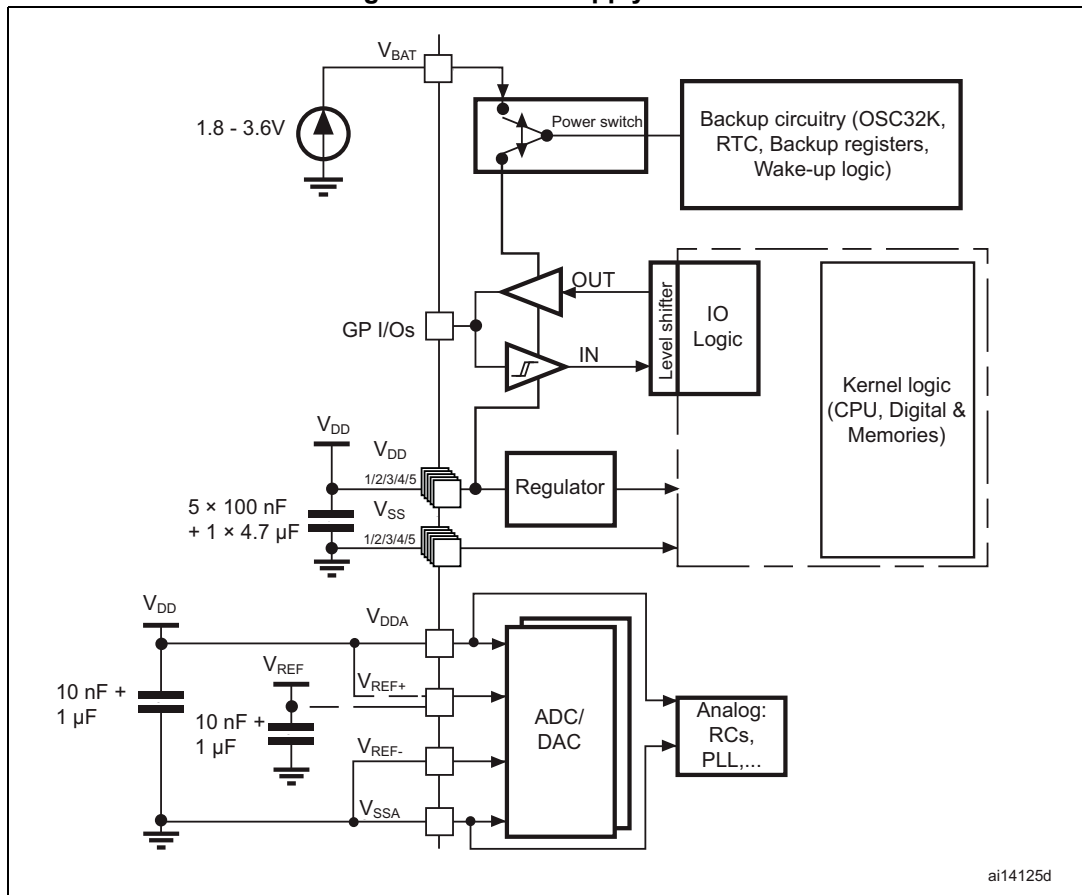
#### 5.1.5 Pin input voltage

The input voltage measurement on a pin of the device is described in [Figure 13](#).



### 5.1.6 Power supply scheme

Figure 14. Power supply scheme

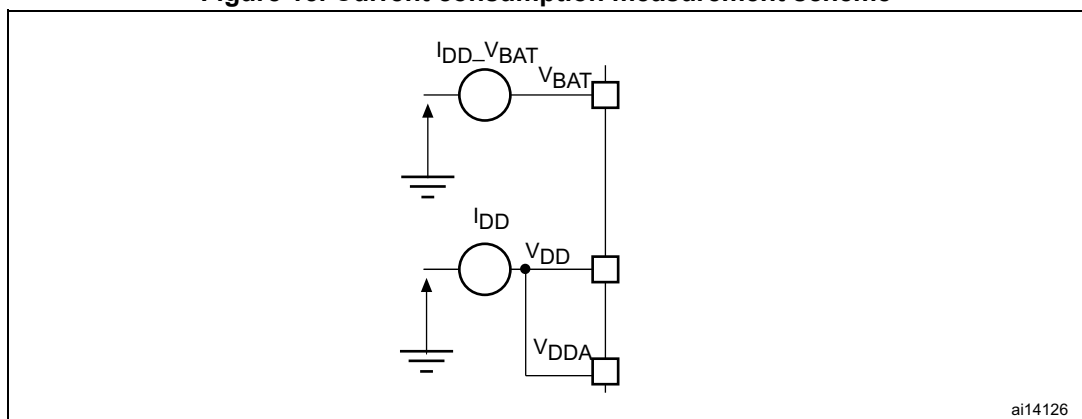


ai14125d

**Caution:** In [Figure 14](#), the 4.7 μF capacitor must be connected to V<sub>DD3</sub>.

### 5.1.7 Current consumption measurement

Figure 15. Current consumption measurement scheme



ai14126

## 5.2 Absolute maximum ratings

Stresses above the absolute maximum ratings listed in [Table 6](#), [Table 7](#), and [Table 8](#) may cause permanent damage to the device. These are stress ratings only and functional operation of the device at these conditions is not implied. Exposure to maximum rating conditions for extended periods may affect device reliability.

**Table 6. Voltage characteristics**

Symbol	Ratings	Min	Max	Unit
$V_{DD} - V_{SS}$	External main supply voltage (including $V_{DDA}$ and $V_{DD}$ ) <sup>(1)</sup>	-0.3	4.0	V
$V_{IN}$ <sup>(2)</sup>	Input voltage on 5 V tolerant pin	$V_{SS} - 0.3$	$V_{DD} + 4.0$	
	Input voltage on any other pin	$V_{SS} - 0.3$	4.0	
$ \Delta V_{DDx} $	Variations between different $V_{DD}$ power pins	-	50	mV
$ V_{SSx} - V_{SS} $	Variations between all the different ground pins	-	50	
$V_{ESD(HBM)}$	Electrostatic discharge voltage (human body model)	See <a href="#">Section 5.3.11</a>		

- All main power ( $V_{DD}$ ,  $V_{DDA}$ ) and ground ( $V_{SS}$ ,  $V_{SSA}$ ) pins must always be connected to the external power supply, in the permitted range.
- $V_{IN}$  maximum must always be respected. Refer to [Table 7](#) for the maximum allowed injected current values.

**Table 7. Current characteristics**

Symbol	Ratings	Max.	Unit
$I_{VDD}$	Total current into $V_{DD}/V_{DDA}$ power lines (source) <sup>(1)</sup>	150	mA
$I_{VSS}$	Total current out of $V_{SS}$ ground lines (sink) <sup>(1)</sup>	150	
$I_{IO}$	Output current sunk by any I/O and control pin	25	
	Output current source by any I/Os and control pin	- 25	
$I_{INJ(PIN)}$ <sup>(2)</sup>	Injected current on five volt tolerant pins <sup>(3)</sup>	-5/+0	
	Injected current on any other pin <sup>(4)</sup>	± 5	
$\Sigma I_{INJ(PIN)}$	Total injected current (sum of all I/O and control pins) <sup>(5)</sup>	± 25	

- All main power ( $V_{DD}$ ,  $V_{DDA}$ ) and ground ( $V_{SS}$ ,  $V_{SSA}$ ) pins must always be connected to the external power supply, in the permitted range.
- Negative injection disturbs the analog performance of the device. See footnote 2 of [Table 48](#).
- Positive injection is not possible on these I/Os. A negative injection is induced by  $V_{IN} < V_{SS}$ .  $I_{INJ(PIN)}$  must never be exceeded. Refer to [Table 6](#) for the maximum allowed input voltage values.
- A positive injection is induced by  $V_{IN} > V_{DD}$ , while a negative injection is induced by  $V_{IN} < V_{SS}$ .  $I_{INJ(PIN)}$  must never be exceeded. Refer to [Table 6](#) for the maximum allowed input voltage values.
- When several inputs are submitted to a current injection, the maximum  $\Sigma I_{INJ(PIN)}$  is the absolute sum of the positive and negative injected currents (instantaneous values).

**Table 8. Thermal characteristics**

Symbol	Ratings	Value	Unit
$T_{STG}$	Storage temperature range	-65 to +150	°C
$T_J$	Maximum junction temperature	150	

## 5.3 Operating conditions

### 5.3.1 General operating conditions

Table 9. General operating conditions

Symbol	Parameter	Conditions	Min	Max	Unit	
$f_{HCLK}$	Internal AHB clock frequency	-	0	72	MHz	
$f_{PCLK1}$	Internal APB1 clock frequency	-	0	36		
$f_{PCLK2}$	Internal APB2 clock frequency	-	0	72		
$V_{DD}$	Standard operating voltage	-	2	3.6	V	
$V_{DDA}^{(1)}$	Analog operating voltage (ADC not used)	Must be the same potential as $V_{DD}^{(2)}$	2	3.6		
	Analog operating voltage (ADC used)		2.4	3.6		
$V_{BAT}$	Backup operating voltage	-	1.8	3.6		
$V_{IN}$	I/O input voltage	Standard IO	-0.3	$V_{DD} + 0.3$	V	
		FT IO <sup>(3)</sup>	$2\text{ V} < V_{DD} \leq 3.6\text{ V}$	-0.3		5.5
			$V_{DD} = 2\text{ V}$	-0.3		5.2
		BOOT0	0	5.5		
$P_D$	Power dissipation at $T_A = 85\text{ °C}$ for suffix 6 or $T_A = 105\text{ °C}$ for suffix 7 <sup>(4)</sup>	LFBGA100	-	454	mW	
		LQFP100	-	434		
		UFBGA100	-	339		
		TFBGA64	-	308		
		LQFP64	-	444		
		LQFP48	-	363		
		UFQFPN48	-	624		
		VFQFPN36	-	1000		
$T_A$	Ambient temperature for 6 suffix version	Maximum power dissipation	-40	85	°C	
		Low-power dissipation <sup>(5)</sup>	-40	105		
	Ambient temperature for 7 suffix version	Maximum power dissipation	-40	105		
		Low-power dissipation <sup>(5)</sup>	-40	125		
$T_J$	Junction temperature range	6 suffix version	-40	105		
		7 suffix version	-40	125		

1. When the ADC is used, refer to [Table 46](#).
2. It is recommended to power  $V_{DD}$  and  $V_{DDA}$  from the same source. A maximum difference of 300 mV between  $V_{DD}$  and  $V_{DDA}$  can be tolerated during power-up and operation.
3. To sustain a voltage higher than  $V_{DD} + 0.3\text{ V}$ , the internal pull-up/pull-down resistors must be disabled.
4. If  $T_A$  is lower, higher  $P_D$  values are allowed as long as  $T_J$  does not exceed  $T_{Jmax}$  (see [Section 6.9](#)).
5. In low-power dissipation state,  $T_A$  can be extended to this range as long as  $T_J$  does not exceed  $T_{Jmax}$  (see [Section 6.9](#)).

### 5.3.2 Operating conditions at power-up / power-down

Subject to general operating conditions for  $T_A$ .

**Table 10. Operating conditions at power-up / power-down**

Symbol	Parameter	Conditions	Min	Max	Unit
$t_{VDD}$	$V_{DD}$ rise time rate	-	0	$\infty$	$\mu\text{s/V}$
	$V_{DD}$ fall time rate		20	$\infty$	

### 5.3.3 Embedded reset and power control block characteristics

The parameters given in [Table 11](#) are derived from tests performed under ambient temperature and  $V_{DD}$  supply voltage conditions summarized in [Table 9](#).

**Table 11. Embedded reset and power control block characteristics**

Symbol	Parameter	Conditions	Min	Typ	Max	Unit
$V_{PVD}$	Programmable voltage detector level selection	PLS[2:0] = 000 (rising edge)	2.10	2.18	2.26	V
		PLS[2:0] = 000 (falling edge)	2.00	2.08	2.16	
		PLS[2:0] = 001 (rising edge)	2.19	2.28	2.37	
		PLS[2:0] = 001 (falling edge)	2.09	2.18	2.27	
		PLS[2:0] = 010 (rising edge)	2.28	2.38	2.48	
		PLS[2:0] = 010 (falling edge)	2.18	2.28	2.38	
		PLS[2:0] = 011 (rising edge)	2.38	2.48	2.58	
		PLS[2:0] = 011 (falling edge)	2.28	2.38	2.48	
		PLS[2:0] = 100 (rising edge)	2.47	2.58	2.69	
		PLS[2:0] = 100 (falling edge)	2.37	2.48	2.59	
		PLS[2:0] = 101 (rising edge)	2.57	2.68	2.79	
		PLS[2:0] = 101 (falling edge)	2.47	2.58	2.69	
		PLS[2:0] = 110 (rising edge)	2.66	2.78	2.90	
		PLS[2:0] = 110 (falling edge)	2.56	2.68	2.80	
		PLS[2:0] = 111 (rising edge)	2.76	2.88	3.00	
PLS[2:0] = 111 (falling edge)	2.66	2.78	2.90			
$V_{PVDhyst}^{(2)}$	PVD hysteresis	-	-	100	-	mV
$V_{POR/PDR}$	Power on/power down reset threshold	Falling edge	1.8 <sup>(1)</sup>	1.88	1.96	V
		Rising edge	1.84	1.92	2.0	
$V_{PDRhyst}^{(2)}$	PDR hysteresis	-	-	40	-	mV
$T_{RSTTEMPO}^{(2)}$	Reset temporization	-	1.0	2.5	4.5	ms

1. The product behavior is specified by design down to the minimum  $V_{POR/PDR}$  value.
2. Specified by design, not tested in production.

### 5.3.4 Embedded reference voltage

The parameters given in [Table 12](#) are derived from tests performed under ambient temperature and  $V_{DD}$  supply voltage conditions summarized in [Table 9](#).

**Table 12. Embedded internal reference voltage**

Symbol	Parameter	Conditions	Min	Typ	Max	Unit
$V_{REFINT}$	Internal reference voltage	$-40\text{ }^{\circ}\text{C} < T_A < +105\text{ }^{\circ}\text{C}$	1.16	1.20	1.26	V
		$-40\text{ }^{\circ}\text{C} < T_A < +85\text{ }^{\circ}\text{C}$	1.16	1.20	1.24	
$T_{S\_vrefint}^{(1)}$	ADC sampling time when reading the internal reference voltage	-	-	5.1	17.1 <sup>(2)</sup>	$\mu\text{s}$
$V_{RERINT}^{(2)}$	Internal reference voltage spread over the temperature range	$V_{DD} = 3\text{ V} \pm 10\text{ mV}$	-	-	10	mV
$T_{Coeff}^{(2)}$	Temperature coefficient	-	-	-	100	ppm/ $^{\circ}\text{C}$

1. Shortest sampling time can be determined in the application by multiple iterations.

2. Specified by design, not tested in production.

### 5.3.5 Supply current characteristics

The current consumption is a function of several parameters and factors such as operating voltage, ambient temperature, I/O pin loading, device software configuration, operating frequencies, I/O pin switching rate, program location in memory, and executed binary code.

The current consumption is measured as described in [Figure 15](#).

All Run-mode current consumption measurements given in this section are performed with a reduced code that gives a consumption equivalent to Dhrystone 2.1 code.

#### Maximum current consumption

The MCU is placed under the following conditions:

- All I/O pins are in input mode with a static value at  $V_{DD}$  or  $V_{SS}$  (no load)
- All peripherals are disabled except when explicitly mentioned
- The Flash memory access time is adjusted to the  $f_{HCLK}$  frequency (0 wait state from 0 to 24 MHz, one wait state from 24 to 48 MHz and two wait states above)
- Prefetch in ON (reminder: this bit must be set before clock setting and bus prescaling)
- When the peripherals are enabled  $f_{PCLK1} = f_{HCLK} / 2$ ,  $f_{PCLK2} = f_{HCLK}$

The parameters given in [Table 13](#), [Table 14](#) and [Table 15](#) are derived from tests performed under ambient temperature and  $V_{DD}$  supply voltage conditions summarized in [Table 9](#).



**Table 13. Maximum current consumption in Run mode, code with data processing running from Flash**

Symbol	Parameter	Conditions	f <sub>HCLK</sub>	Max <sup>(1)</sup>		Unit
				T <sub>A</sub> = 85 °C	T <sub>A</sub> = 105 °C	
I <sub>DD</sub>	Supply current in Run mode	External clock <sup>(2)</sup> , all peripherals enabled	72 MHz	50.0	50.3	mA
			48 MHz	36.1	36.2	
			36 MHz	28.6	28.7	
			24 MHz	19.9	20.1	
			16 MHz	14.7	14.9	
			8 MHz	8.6	8.9	
		External clock <sup>(2)</sup> , all peripherals disabled	72 MHz	32.8	32.9	
			48 MHz	24.4	24.5	
			36 MHz	19.8	19.9	
			24 MHz	13.9	14.2	
			16 MHz	10.7	11.0	
			8 MHz	6.8	7.1	

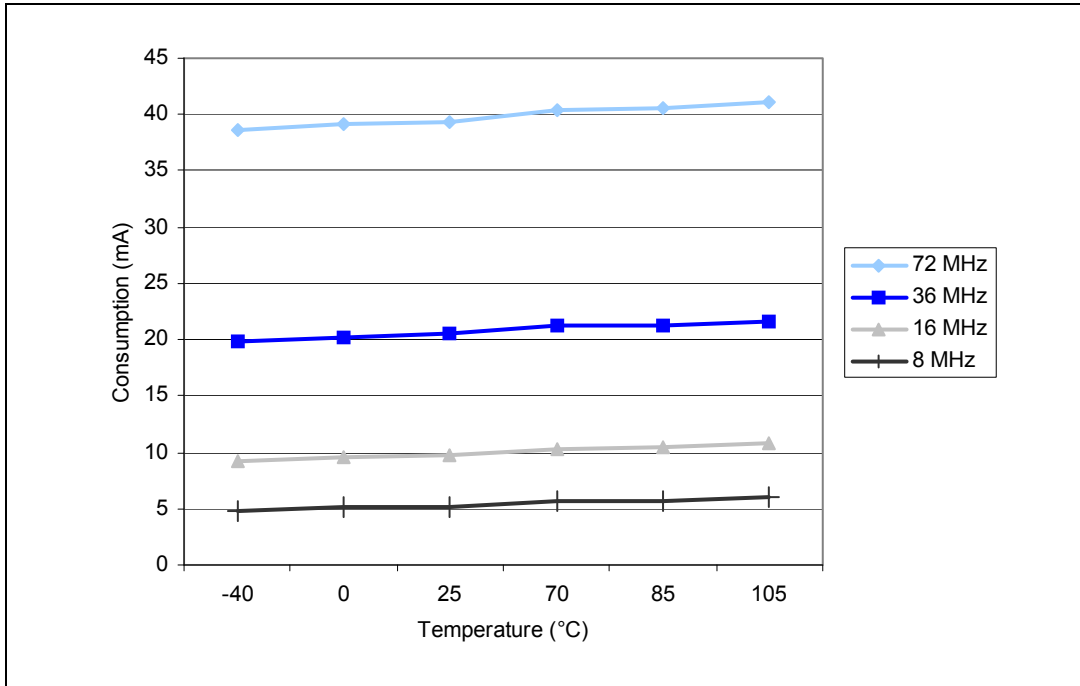
1. Evaluated by characterization, not tested in production, unless otherwise specified.
2. External clock is 8 MHz and PLL is on when f<sub>HCLK</sub> > 8 MHz.

**Table 14. Maximum current consumption in Run mode, code with data processing running from RAM**

Symbol	Parameter	Conditions	f <sub>HCLK</sub>	Max <sup>(1)</sup>		Unit
				T <sub>A</sub> = 85 °C	T <sub>A</sub> = 105 °C	
I <sub>DD</sub>	Supply current in Run mode	External clock <sup>(2)</sup> , all peripherals enabled	72 MHz	48	50	mA
			48 MHz	31.5	32	
			36 MHz	24	25.5	
			24 MHz	17.5	18	
			16 MHz	12.5	13	
			8 MHz	7.5	8	
		External clock <sup>(2)</sup> , all peripherals disabled	72 MHz	29	29.5	
			48 MHz	20.5	21	
			36 MHz	16	16.5	
			24 MHz	11.5	12	
			16 MHz	8.5	9	
			8 MHz	5.5	6	

1. Based on characterization, tested in production at V<sub>DD</sub> max, f<sub>HCLK</sub> max.
2. External clock is 8 MHz and PLL is on when f<sub>HCLK</sub> > 8 MHz.

**Figure 16. Typical current consumption in Run mode versus frequency (at 3.6 V), code with data processing running from RAM, peripherals enabled**



**Figure 17. Typical current consumption in Run mode versus frequency (at 3.6 V), code with data processing running from RAM, peripherals disabled**

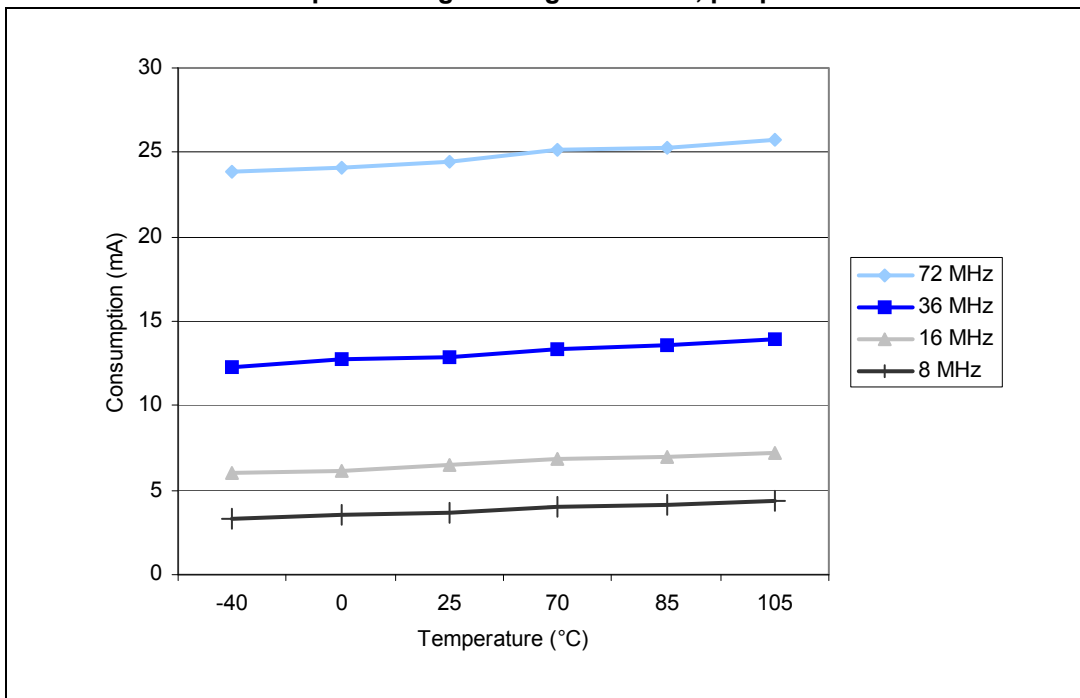


Table 15. Maximum current consumption in Sleep mode, code running from Flash or RAM

Symbol	Parameter	Conditions	$f_{\text{HCLK}}$	Max <sup>(1)</sup>		Unit
				$T_A = 85\text{ °C}$	$T_A = 105\text{ °C}$	
$I_{\text{DD}}$	Supply current in Sleep mode	External clock <sup>(2)</sup> , all peripherals enabled	72 MHz	30	32	mA
			48 MHz	20	20.5	
			36 MHz	15.5	16	
			24 MHz	11.5	12	
			16 MHz	8.5	9	
			8 MHz	5.5	6	
		External clock <sup>(2)</sup> , all peripherals disabled	72 MHz	7.5	8	
			48 MHz	6	6.5	
			36 MHz	5	5.5	
			24 MHz	4.5	5	
			16 MHz	4	4.5	
			8 MHz	3	4	

1. Based on characterization, tested in production at  $V_{\text{DD max}}$ ,  $f_{\text{HCLK max}}$  with peripherals enabled.
2. External clock is 8 MHz and PLL is on when  $f_{\text{HCLK}} > 8\text{ MHz}$ .

Table 16. Typical and maximum current consumptions in Stop and Standby modes

Symbol	Parameter	Conditions	Typ <sup>(1)</sup>			Max		Unit
			V <sub>DD</sub> /V <sub>BAT</sub> = 2.0 V	V <sub>DD</sub> /V <sub>BAT</sub> = 2.4 V	V <sub>DD</sub> /V <sub>BAT</sub> = 3.3 V	T <sub>A</sub> = 85 °C	T <sub>A</sub> = 105 °C	
I <sub>DD</sub>	Supply current in Stop mode	Regulator in Run mode, low-speed and high-speed internal RC oscillators and high-speed oscillator OFF (no independent watchdog)	-	23.5	24	200	370	μA
		Regulator in Low-power mode, low-speed and high-speed internal RC oscillators and high-speed oscillator OFF (no independent watchdog)	-	13.5	14	180	340	
	Supply current in Standby mode	Low-speed internal RC oscillator and independent watchdog ON	-	2.6	3.4	-	-	
		Low-speed internal RC oscillator ON, independent watchdog OFF	-	2.4	3.2	-	-	
		Low-speed internal RC oscillator and independent watchdog OFF, low-speed oscillator and RTC OFF	-	1.7	2	4	5	
I <sub>DD_VBAT</sub>	Backup domain supply current	Low-speed oscillator and RTC ON	0.9	1.1	1.4	1.9 <sup>(2)</sup>	2.2	

1. Typical values are measured at T<sub>A</sub> = 25 °C.
2. Evaluated by characterization, not tested in production, unless otherwise specified.

Figure 18. Typical current consumption on V<sub>BAT</sub> (RTC on)

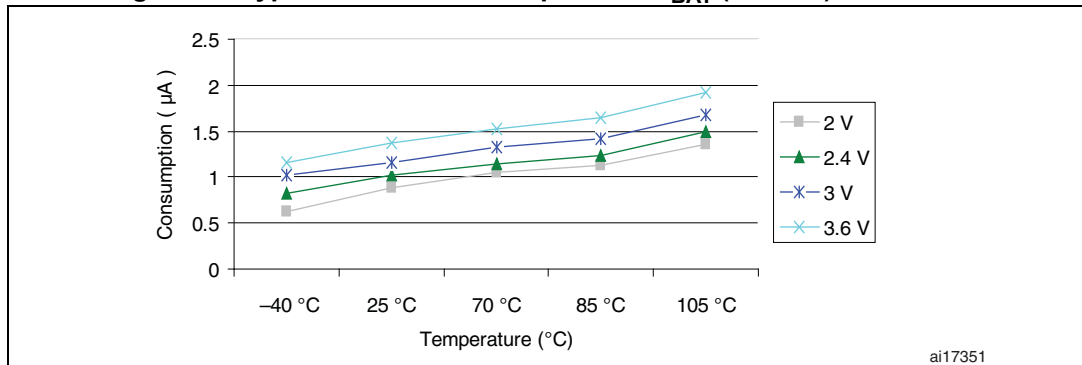


Figure 19. Typical current consumption in Stop mode, with regulator in Run mode

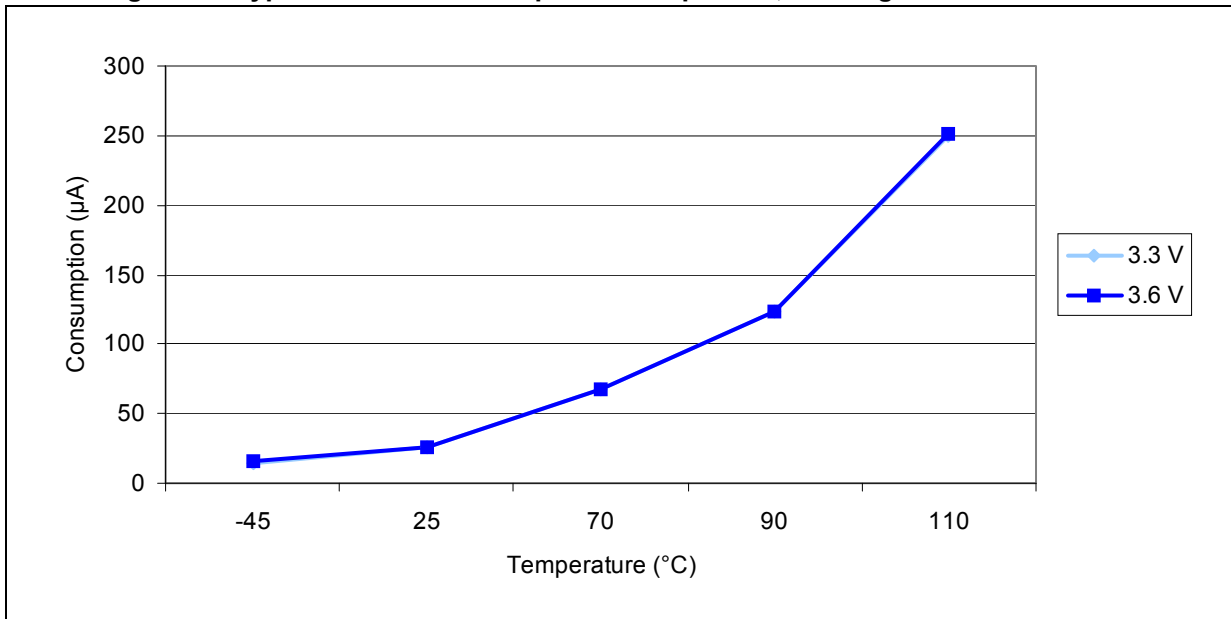


Figure 20. Typical current consumption in Stop mode, with regulator in Low-power mode

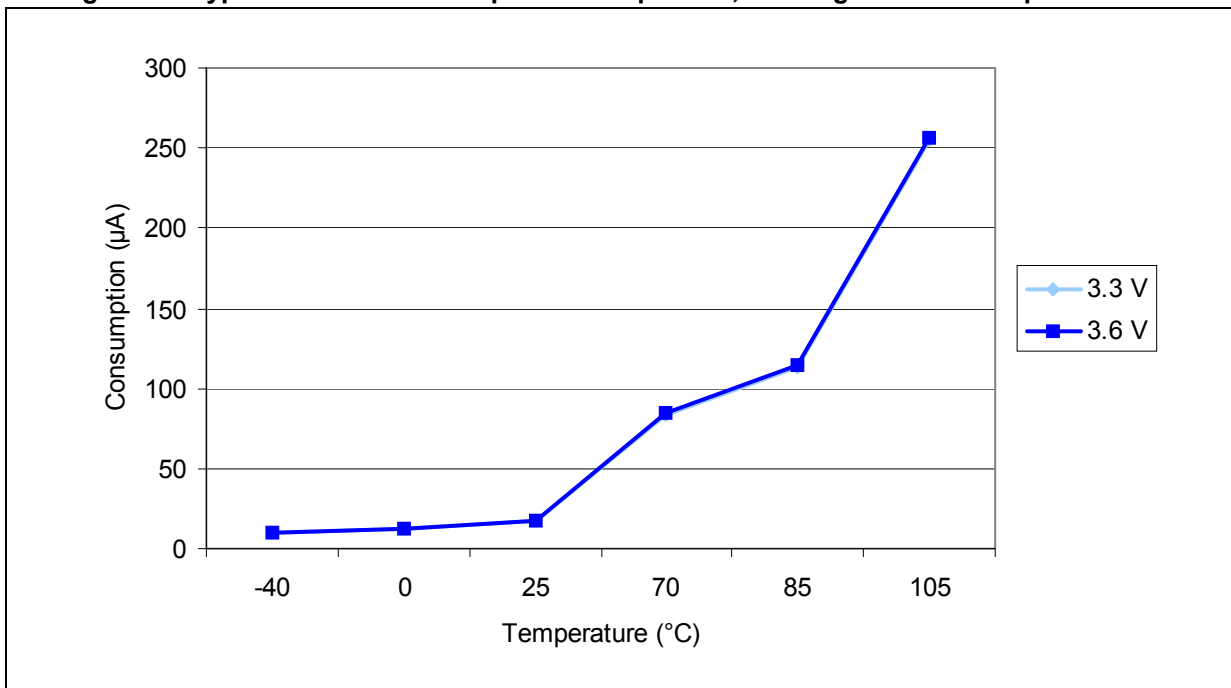
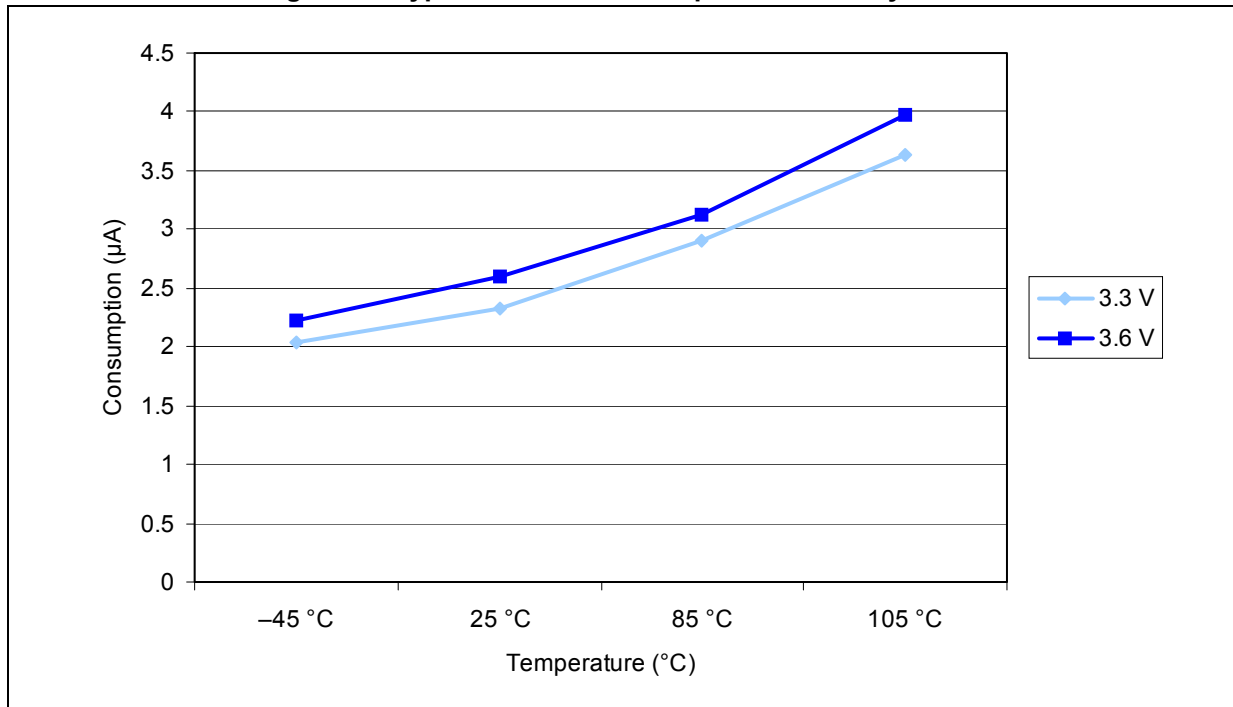


Figure 21. Typical current consumption in Standby mode



### Typical current consumption

The MCU is placed under the following conditions:

- All I/O pins are in input mode with a static value at  $V_{DD}$  or  $V_{SS}$  (no load)
- All peripherals are disabled except if explicitly mentioned
- The Flash access time is adjusted to  $f_{HCLK}$  frequency (0 wait state from 0 to 24 MHz, one wait state from 24 to 48 MHz and two wait states above)
- Ambient temperature and  $V_{DD}$  supply voltage conditions summarized in [Table 9](#)
- Prefetch is ON (this bit must be set before clock setting and bus prescaling)
- When the peripherals are enabled  $f_{PCLK1} = f_{HCLK} / 4$ ,  $f_{PCLK2} = f_{HCLK} / 2$ ,  $f_{ADCCLK} = f_{PCLK2} / 4$

**Table 17. Typical current consumption in Run mode, code with data processing running from Flash**

Symbol	Parameter	Conditions	f <sub>HCLK</sub>	Typ <sup>(1)</sup>		Unit
				All peripherals enabled <sup>(2)</sup>	All peripherals disabled	
I <sub>DD</sub>	Supply current in Run mode	External clock <sup>(3)</sup>	72 MHz	36	27	mA
			48 MHz	24.2	18.6	
			36 MHz	19.0	14.8	
			24 MHz	12.9	10.1	
			16 MHz	9.3	7.4	
			8 MHz	5.5	4.6	
			4 MHz	3.3	2.8	
			2 MHz	2.2	1.9	
			1 MHz	1.6	1.45	
			500 kHz	1.3	1.25	
		125 kHz	1.08	1.06		
		Running on high speed internal RC (HSI), AHB prescaler used to reduce the frequency	64 MHz	31.4	23.9	mA
			48 MHz	23.5	17.9	
			36 MHz	18.3	14.1	
			24 MHz	12.2	9.5	
			16 MHz	8.5	6.8	
			8 MHz	4.9	4.0	
			4 MHz	2.7	2.2	
			2 MHz	1.6	1.4	
			1 MHz	1.02	0.9	
500 kHz	0.73		0.67			
125 kHz	0.5	0.48				

1. Typical values are measures at T<sub>A</sub> = 25 °C, V<sub>DD</sub> = 3.3 V.
2. Add an additional power consumption of 0.8 mA per ADC for the analog part. In applications, this consumption occurs only while the ADC is on (ADON bit is set in the ADC\_CR2 register).
3. External clock is 8 MHz and PLL is on when f<sub>HCLK</sub> > 8 MHz.

**Table 18. Typical current consumption in Sleep mode, code running from Flash or RAM**

Symbol	Parameter	Conditions	f <sub>HCLK</sub>	Typ <sup>(1)</sup>		Unit
				All peripherals enabled <sup>(2)</sup>	All peripherals disabled	
I <sub>DD</sub>	Supply current in Sleep mode	External clock <sup>(3)</sup>	72 MHz	14.4	5.5	mA
			48 MHz	9.9	3.9	
			36 MHz	7.6	3.1	
			24 MHz	5.3	2.3	
			16 MHz	3.8	1.8	
			8 MHz	2.1	1.2	
			4 MHz	1.6	1.1	
			2 MHz	1.3	1.0	
			1 MHz	1.11	0.98	
			500 kHz	1.04	0.96	
		125 kHz	0.98	0.95		
		Running on high speed internal RC (HSI), AHB prescaler used to reduce the frequency	64 MHz	12.3	4.4	
			48 MHz	9.3	3.3	
			36 MHz	7	2.5	
			24 MHz	4.8	1.8	
			16 MHz	3.2	1.2	
			8 MHz	1.6	0.6	
			4 MHz	1.0	0.5	
			2 MHz	0.72	0.47	
			1 MHz	0.56	0.44	
500 kHz	0.49		0.42			
125 kHz	0.43	0.41				

1. Typical values are measures at T<sub>A</sub> = 25 °C, V<sub>DD</sub> = 3.3 V.
2. Add an additional power consumption of 0.8 mA per ADC for the analog part. In applications, this consumption occurs only while the ADC is on (ADON bit is set in the ADC\_CR2 register).
3. External clock is 8 MHz and PLL is on when f<sub>HCLK</sub> > 8 MHz.



**On-chip peripheral current consumption**

The current consumption of the on-chip peripherals is given in [Table 19](#). The MCU is put under the following conditions:

- all I/O pins are in input mode with a static value at  $V_{DD}$  or  $V_{SS}$  (no load)
- all peripherals are disabled unless otherwise mentioned
- the given value is calculated by measuring the current consumption
  - with all peripherals clocked off
  - with only one peripheral clocked on
- ambient operating temperature and  $V_{DD}$  supply voltage conditions summarized in [Table 6](#)

**Table 19. Peripheral current consumption**

Peripherals	$\mu A/MHz$	
AHB (up to 72 MHz)	DMA1	16.53
	BusMatrix <sup>(1)</sup>	8.33
APB1 (up to 36 MHz)	APB1-Bridge	10.28
	TIM2	32.50
	TIM3	31.39
	TIM4	31.94
	SPI2	4.17
	USART2	12.22
	USART3	12.22
	I2C1	10.00
	I2C2	10.00
	USB	17.78
	CAN1	18.06
	WWDG	2.50
	PWR	1.67
	BKP	2.50
IWDG	11.67	

Table 19. Peripheral current consumption (continued)

Peripherals		$\mu\text{A}/\text{MHz}$
APB2 (up to 72 MHz)	APB2-Bridge	3.75
	GPIOA	6.67
	GPIOB	6.53
	GPIOC	6.53
	GIOD	6.53
	GPIOE	6.39
	SPI1	4.72
	USART1	11.94
	TIM1	23.33
	ADC1 <sup>(2)</sup>	17.50
	ADC2 <sup>(2)</sup>	16.07

1. The BusMatrix is automatically active when at least one master peripheral is ON (CPU or DMA).
2. Specific conditions for measuring ADC current consumption:  $f_{\text{HCLK}} = 56 \text{ MHz}$ ,  $f_{\text{APB1}} = f_{\text{HCLK}} / 2$ ,  $f_{\text{APB2}} = f_{\text{HCLK}}$ ,  $f_{\text{ADCCLK}} = f_{\text{APB2}} / 4$ . When ADON bit in the ADCX\_CR2 register is set to 1, a current consumption of analog part equal to 0.65 mA must be added for each ADC.

### 5.3.6 External clock source characteristics

#### High-speed external user clock generated from an external source

The characteristics given in [Table 20](#) result from tests performed using a high-speed external clock source, and under ambient temperature and supply voltage conditions summarized in [Table 9](#).

Table 20. High-speed external user clock characteristics

Symbol	Parameter	Conditions	Min	Typ	Max	Unit
$f_{\text{HSE\_ext}}$	User external clock source frequency <sup>(1)</sup>	-	1	8	25	MHz
$V_{\text{HSEH}}$	OSC_IN input pin high level voltage		0.7V <sub>DD</sub>	-	V <sub>DD</sub>	V
$V_{\text{HSEL}}$	OSC_IN input pin low level voltage		V <sub>SS</sub>	-	0.3V <sub>DD</sub>	
$t_{\text{w(HSE)}}$ $t_{\text{w(HSE)}}$	OSC_IN high or low time <sup>(1)</sup>		5	-	-	ns
$t_{\text{r(HSE)}}$ $t_{\text{r(HSE)}}$	OSC_IN rise or fall time <sup>(1)</sup>		-	-	20	
$C_{\text{in(HSE)}}$	OSC_IN input capacitance <sup>(1)</sup>		-	-	5	pF
DuCy <sub>(HSE)</sub>	Duty cycle		-	45	-	55
$I_{\text{L}}$	OSC_IN Input leakage current	$V_{\text{SS}} \leq V_{\text{IN}} \leq V_{\text{DD}}$	-	-	$\pm 1$	$\mu\text{A}$

1. Specified by design, not tested in production.

**Low-speed external user clock generated from an external source**

The characteristics given in [Table 21](#) result from tests performed using an low-speed external clock source, and under ambient temperature and supply voltage conditions summarized in [Table 9](#).

**Table 21. Low-speed external user clock characteristics**

Symbol	Parameter	Conditions	Min	Typ	Max	Unit	
$f_{LSE\_ext}$	User external clock source frequency <sup>(1)</sup>	-		32.768	1000	kHz	
$V_{LSEH}$	OSC32_IN input pin high level voltage		$0.7V_{DD}$	-	$V_{DD}$	V	
$V_{LSEL}$	OSC32_IN input pin low level voltage		$V_{SS}$	-	$0.3V_{DD}$		
$t_{w(LSE)}$ $t_{w(LSE)}$	OSC32_IN high or low time <sup>(1)</sup>		450	-	-	ns	
$t_{r(LSE)}$ $t_{f(LSE)}$	OSC32_IN rise or fall time <sup>(1)</sup>		-	-	50		
$C_{in(LSE)}$	OSC32_IN input capacitance <sup>(1)</sup>		-	-	5	-	pF
$DuCy_{(LSE)}$	Duty cycle		-	30	-	70	%
$I_L$	OSC32_IN Input leakage current	$V_{SS} \leq V_{IN} \leq V_{DD}$	-	-	$\pm 1$	$\mu A$	

1. Specified by design, not tested in production.

**Figure 22. High-speed external clock source AC timing diagram**

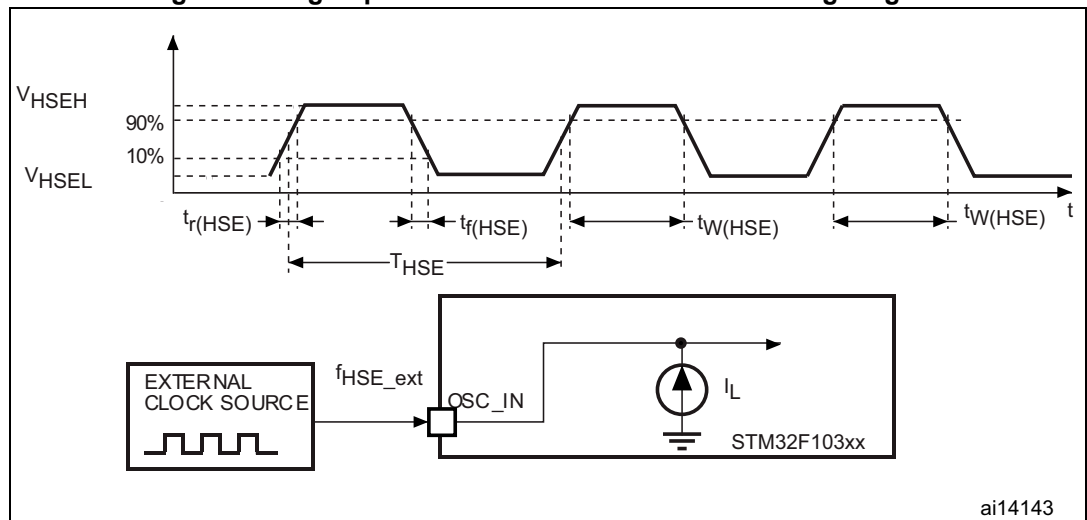
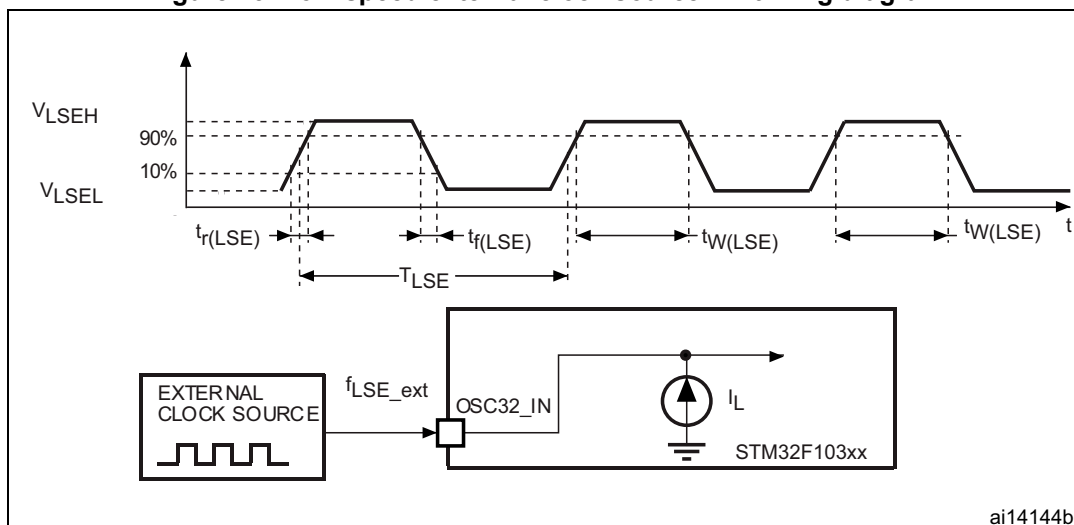


Figure 23. Low-speed external clock source AC timing diagram



### High-speed external clock generated from a crystal/ceramic resonator

The high-speed external (HSE) clock can be supplied with a 4 to 16 MHz crystal/ceramic resonator oscillator. All the information given in this paragraph are based on characterization results obtained with typical external components specified in [Table 22](#). In the application, the resonator and the load capacitors have to be placed as close as possible to the oscillator pins in order to minimize output distortion and startup stabilization time. Refer to the crystal resonator manufacturer for more details on the resonator characteristics (frequency, package, accuracy).

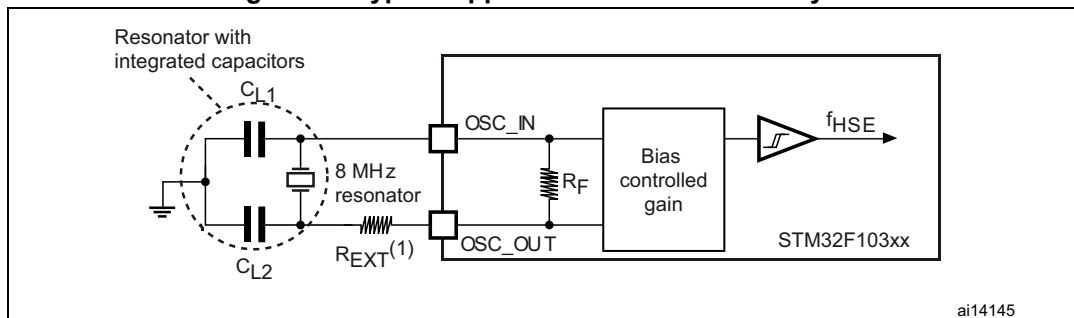
Table 22. HSE 4-16 MHz oscillator characteristics<sup>(1) (2)</sup>

Symbol	Parameter	Conditions	Min	Typ	Max	Unit
$f_{OSC\_IN}$	Oscillator frequency	-	4	8	16	MHz
$R_F$	Feedback resistor	-	-	200	-	k $\Omega$
C	Recommended load capacitance versus equivalent serial resistance of the crystal ( $R_S$ ) <sup>(3)</sup>	$R_S = 30 \Omega$	-	30	-	pF
$i_2$	HSE driving current	$V_{DD} = 3.3 V, V_{IN} = V_{SS}$ with 30 pF load	-	-	1	mA
$g_m$	Oscillator transconductance	Startup	25	-	-	mA/V
$t_{SU(HSE)}$ <sup>(4)</sup>	Startup time	$V_{DD}$ is stabilized	-	2	-	ms

1. Resonator characteristics given by the crystal/ceramic resonator manufacturer.
2. Evaluated by characterization, not tested in production, unless otherwise specified.
3. The relatively low value of the RF resistor offers a good protection against issues resulting from use in a humid environment, due to the induced leakage and the bias condition change. However, it is recommended to take this point into account if the MCU is used in tough humidity conditions.
4.  $t_{SU(HSE)}$  is the start-up time measured from the moment it is enabled (by software) to a stabilized 8 MHz oscillation is reached. This value is measured for a standard crystal resonator and it can vary significantly with the crystal manufacturer

For  $C_{L1}$  and  $C_{L2}$ , it is recommended to use high-quality external ceramic capacitors in the 5 pF to 25 pF range (typ.), designed for high-frequency applications, and selected to match the requirements of the crystal or resonator (see [Figure 24](#)).  $C_{L1}$  and  $C_{L2}$  are usually the same size. The crystal manufacturer typically specifies a load capacitance which is the series combination of  $C_{L1}$  and  $C_{L2}$ . PCB and MCU pin capacitance must be included (10 pF can be used as a rough estimate of the combined pin and board capacitance) when sizing  $C_{L1}$  and  $C_{L2}$ . Refer to AN2867 “Oscillator design guide for ST microcontrollers”, available from the ST website [www.st.com](http://www.st.com).

**Figure 24. Typical application with an 8 MHz crystal**



1.  $R_{EXT}$  value depends on the crystal characteristics.

**Low-speed external clock generated from a crystal/ceramic resonator**

The low-speed external (LSE) clock can be supplied with a 32.768 kHz crystal/ceramic resonator oscillator. All the information given in this paragraph are based on characterization results obtained with typical external components specified in [Table 23](#). In the application, the resonator and the load capacitors have to be placed as close as possible to the oscillator pins in order to minimize output distortion and startup stabilization time. Refer to the crystal resonator manufacturer for more details on the resonator characteristics (frequency, package, accuracy).

**Table 23. LSE oscillator characteristics ( $f_{LSE} = 32.768$  kHz)<sup>(1) (2)</sup>**

Symbol	Parameter	Conditions	Min	Typ	Max	Unit
$R_F$	Feedback resistor	-	-	5	-	M $\Omega$
C	Recommended load capacitance versus equivalent serial resistance of the crystal ( $R_S$ )	$R_S = 30$ K $\Omega$	-	-	15	pF
$I_2$	LSE driving current	$V_{DD} = 3.3$ V, $V_{IN} = V_{SS}$	-	-	1.4	$\mu$ A
$g_m$	Oscillator transconductance	-	5	-	-	$\mu$ A/V
$t_{SU(LSE)}$ <sup>(3)</sup>	Startup time	$V_{DD}$ is stabilized				s
		$T_A = 50$ °C	-	1.5	-	
		$T_A = 25$ °C	-	2.5	-	
		$T_A = 10$ °C	-	4	-	
		$T_A = 0$ °C	-	6	-	
		$T_A = -10$ °C	-	10	-	
		$T_A = -20$ °C	-	17	-	
		$T_A = -30$ °C	-	32	-	
		$T_A = -40$ °C	-	60	-	

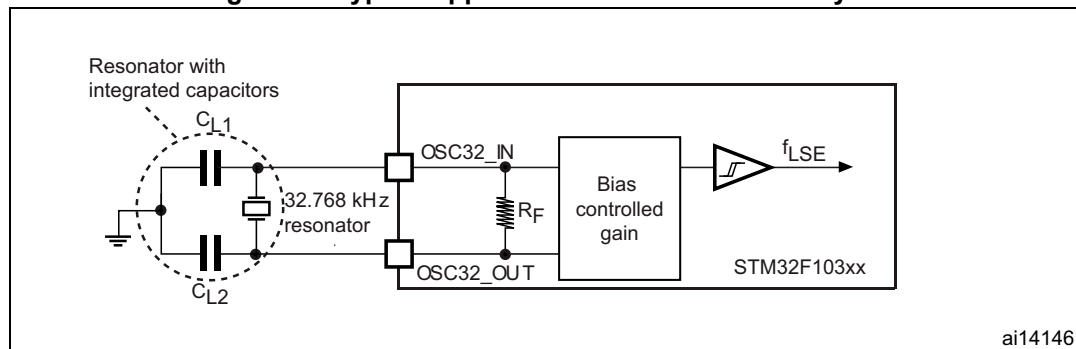
1. Evaluated by characterization, not tested in production, unless otherwise specified.
2. Refer to the note and caution paragraphs below the table, and to AN2867 “Oscillator design guide for ST microcontrollers”.
3.  $t_{SU(LSE)}$  is the startup time measured from the moment it is enabled (by software) to a stabilized 32.768 kHz oscillation is reached. This value is measured for a standard crystal and it can vary significantly with the crystal manufacturer

**Note:** For  $C_{L1}$  and  $C_{L2}$  it is recommended to use high-quality ceramic capacitors in the 5 to 15 pF range selected to match the requirements of the crystal or resonator.  $C_{L1}$  and  $C_{L2}$ , are usually the same size. The crystal manufacturer typically specifies a load capacitance, which is the series combination of  $C_{L1}$  and  $C_{L2}$ . Load capacitance  $C_L$  has the following formula:  $C_L = C_{L1} \times C_{L2} / (C_{L1} + C_{L2}) + C_{stray}$ , where  $C_{stray}$  is the pin capacitance and board or trace PCB-related capacitance. Typically, it is between 2 and 7 pF.

**Caution:** To avoid exceeding the maximum value of  $C_{L1}$  and  $C_{L2}$  (15 pF) it is strongly recommended to use a resonator with a load capacitance  $C_L \leq 7$  pF. Never use a resonator with a load capacitance of 12.5 pF.

**Example:** when choosing a resonator with a load capacitance of  $C_L = 6$  pF and  $C_{stray} = 2$  pF, then  $C_{L1} = C_{L2} = 8$  pF.

Figure 25. Typical application with a 32.768 kHz crystal



ai14146

### 5.3.7 Internal clock source characteristics

The parameters given in Table 24 are derived from tests performed under ambient temperature and  $V_{DD}$  supply voltage conditions summarized in Table 9.

#### High-speed internal (HSI) RC oscillator

Table 24. HSI oscillator characteristics<sup>(1)</sup>

Symbol	Parameter	Conditions	Min	Typ	Max	Unit	
$f_{HSI}$	Frequency	-	-	8	-	MHz	
$DuCy_{(HSI)}$	Duty cycle	-	45	-	55		
$ACC_{HSI}$	Accuracy of the HSI oscillator	User-trimmed with the RCC_CR register <sup>(2)</sup>	-	-	1 <sup>(3)</sup>	%	
		Factory-calibrated <sup>(4)(5)</sup>	$T_A = -40$ to $105$ °C	-2	-		2.5
			$T_A = -10$ to $85$ °C	-1.5	-		2.2
			$T_A = 0$ to $70$ °C	-1.3	-		2
		$T_A = 25$ °C	-1.1	-	1.8		

**Table 24. HSI oscillator characteristics<sup>(1)</sup> (continued)**

Symbol	Parameter	Conditions	Min	Typ	Max	Unit
$t_{su(HSI)}$ <sup>(4)</sup>	HSI oscillator startup time	-	1	-	2	$\mu$ s
$I_{DD(HSI)}$ <sup>(4)</sup>	HSI oscillator power consumption	-	-	80	100	$\mu$ A

- $V_{DD} = 3.3$  V,  $T_A = -40$  to  $105$  °C unless otherwise specified.
- Refer to AN2868 “*STM32F10xxx internal RC oscillator (HSI) calibration*” available from [www.st.com](http://www.st.com).
- Specified by design, not tested in production.
- Evaluated by characterization, not tested in production, unless otherwise specified.
- The actual frequency of HSI oscillator may be impacted by a reflow, but does not drift out of the specified range.

### Low-speed internal (LSI) RC oscillator

**Table 25. LSI oscillator characteristics<sup>(1)</sup>**

Symbol	Parameter	Min	Typ	Max	Unit
$f_{LSI}$ <sup>(2)</sup>	Frequency	30	40	60	kHz
$t_{su(LSI)}$ <sup>(3)</sup>	LSI oscillator startup time	-	-	85	$\mu$ s
$I_{DD(LSI)}$ <sup>(3)</sup>	LSI oscillator power consumption	-	0.65	1.2	$\mu$ A

- $V_{DD} = 3$  V,  $T_A = -40$  to  $105$  °C unless otherwise specified.
- Evaluated by characterization, not tested in production, unless otherwise specified.
- Specified by design, not tested in production.

### Wakeup time from low-power mode

The wakeup times given in [Table 26](#) is measured on a wakeup phase with an 8-MHz HSI RC oscillator. The clock source used to wake up the device depends from the current operating mode:

- Stop or Standby mode: the clock source is the RC oscillator
- Sleep mode: the clock source is the clock that was set before entering Sleep mode.

All timings are derived from tests performed under ambient temperature and  $V_{DD}$  supply voltage conditions summarized in [Table 9](#).

Table 26. Low-power mode wakeup timings

Symbol	Parameter	Typ	Unit
$t_{WUSLEEP}^{(1)}$	Wakeup from Sleep mode	1.8	$\mu\text{s}$
$t_{WUSTOP}^{(1)}$	Wakeup from Stop mode (regulator in run mode)	3.6	
	Wakeup from Stop mode (regulator in low-power mode)	5.4	
$t_{WUSTDBY}^{(1)}$	Wakeup from Standby mode	50	

1. The wakeup times are measured from the wakeup event to the point in which the user application code reads the first instruction.

### 5.3.8 PLL characteristics

The parameters given in [Table 27](#) are derived from tests performed under ambient temperature and  $V_{DD}$  supply voltage conditions summarized in [Table 9](#).

Table 27. PLL characteristics

Symbol	Parameter	Value			Unit
		Min <sup>(1)</sup>	Typ	Max <sup>(1)</sup>	
$f_{PLL\_IN}$	PLL input clock <sup>(2)</sup>	1	8.0	25	MHz
	PLL input clock duty cycle	40	-	60	%
$f_{PLL\_OUT}$	PLL multiplier output clock	16	-	72	MHz
$t_{LOCK}$	PLL lock time	-	-	200	$\mu\text{s}$
Jitter	Cycle-to-cycle jitter	-	-	300	ps

1. Evaluated by characterization, not tested in production, unless otherwise specified.
2. Take care of using the appropriate multiplier factors so as to have PLL input clock values compatible with the range defined by  $f_{PLL\_OUT}$ .

### 5.3.9 Memory characteristics

#### Flash memory

The characteristics are given at  $T_A = -40$  to  $105$  °C unless otherwise specified.

Table 28. Flash memory characteristics

Symbol	Parameter	Conditions	Min <sup>(1)</sup>	Typ	Max <sup>(1)</sup>	Unit
$t_{prog}$	16-bit programming time	$T_A = -40$ to $+105$ °C	40	52.5	70	$\mu\text{s}$
$t_{ERASE}$	Page (1 KB) erase time	$T_A = -40$ to $+105$ °C	20	-	40	ms
$t_{ME}$	Mass erase time	$T_A = -40$ to $+105$ °C	20	-	40	



**Table 28. Flash memory characteristics (continued)**

Symbol	Parameter	Conditions	Min <sup>(1)</sup>	Typ	Max <sup>(1)</sup>	Unit
I <sub>DD</sub>	Supply current	Read mode f <sub>HCLK</sub> = 72 MHz with two wait states, V <sub>DD</sub> = 3.3 V	-	-	20	mA
		Write / Erase modes f <sub>HCLK</sub> = 72 MHz, V <sub>DD</sub> = 3.3 V	-	-	5	
		Power-down mode / Halt, V <sub>DD</sub> = 3.0 to 3.6 V	-	-	50	µA
V <sub>prog</sub>	Programming voltage	-	2	-	3.6	V

1. Specified by design, not tested in production.

**Table 29. Flash memory endurance and data retention**

Symbol	Parameter	Conditions	Value			Unit
			Min <sup>(1)</sup>	Typ	Max	
N <sub>END</sub>	Endurance	T <sub>A</sub> = -40 to +85 °C (6 suffix versions) T <sub>A</sub> = -40 to +105 °C (7 suffix versions)	10	-	-	kcycles
t <sub>RET</sub>	Data retention	1 kcycle <sup>(2)</sup> at T <sub>A</sub> = 85 °C	30	-	-	Years
		1 kcycle <sup>(2)</sup> at T <sub>A</sub> = 105 °C	10	-	-	
		10 kcycles <sup>(2)</sup> at T <sub>A</sub> = 55 °C	20	-	-	

1. Evaluated by characterization, not tested in production, unless otherwise specified.

2. Cycling performed over the whole temperature range.

### 5.3.10 EMC characteristics

Susceptibility tests are performed on a sample basis during device characterization.

#### Functional EMS (electromagnetic susceptibility)

While a simple application is executed on the device (toggling 2 LEDs through I/O ports), the device is stressed by two electromagnetic events until a failure occurs. The failure is indicated by the LEDs:

- **Electrostatic discharge (ESD)** (positive and negative) is applied to all device pins until a functional disturbance occurs. This test is compliant with the IEC 61000-4-2 standard.
- **FTB:** A Burst of Fast Transient voltage (positive and negative) is applied to V<sub>DD</sub> and V<sub>SS</sub> through a 100 pF capacitor, until a functional disturbance occurs. This test is compliant with the IEC 61000-4-4 standard.

A device reset allows normal operations to be resumed.

The test results are given in [Table 30](#). They are based on the EMS levels and classes defined in application note AN1709, available on [www.st.com](http://www.st.com).

**Table 30. EMS characteristics**

Symbol	Parameter	Conditions	Level/Class
$V_{FESD}$	Voltage limits to be applied on any I/O pin to induce a functional disturbance	$V_{DD} = 3.3\text{ V}$ , $T_A = +25\text{ °C}$ , $f_{HCLK} = 72\text{ MHz}$ conforms to IEC 61000-4-2	2B
$V_{EFTB}$	Fast transient voltage burst limits to be applied through 100 pF on $V_{DD}$ and $V_{SS}$ pins to induce a functional disturbance	$V_{DD} = 3.3\text{ V}$ , $T_A = +25\text{ °C}$ , $f_{HCLK} = 72\text{ MHz}$ conforms to IEC 61000-4-4	4A

**Designing hardened software to avoid noise problems**

EMC characterization and optimization are performed at component level with a typical application environment and simplified MCU software. It should be noted that good EMC performance is highly dependent on the user application and the software in particular.

Therefore it is recommended that the user applies EMC software optimization and prequalification tests in relation with the EMC level requested for his application.

**Software recommendations**

The software flow must include the management of runaway conditions such as:

- Corrupted program counter
- Unexpected reset
- Critical data corruption (control registers...)

**Prequalification trials**

Most of the common failures (unexpected reset and program counter corruption) can be reproduced by manually forcing a low state on the NRST pin or the Oscillator pins for 1 second.

To complete these trials, ESD stress can be applied directly on the device, over the range of specification values. When unexpected behavior is detected, the software can be hardened to prevent unrecoverable errors occurring (see application note AN1015, available on [www.st.com](http://www.st.com)).

**Electromagnetic Interference (EMI)**

The electromagnetic field emitted by the device are monitored while a simple application is executed (toggling 2 LEDs through the I/O ports). This emission test is compliant with IEC 61967-2 standard which specifies the test board and the pin loading.

**Table 31. EMI characteristics**

Symbol	Parameter	Conditions	Monitored frequency band	Max vs. [ $f_{HSE}/f_{HCLK}$ ]		Unit
				8/48 MHz	8/72 MHz	
$S_{EMI}$	Peak level	$V_{DD} = 3.3\text{ V}$ , $T_A = 25\text{ °C}$ , LQFP100 package compliant with IEC 61967-2	0.1 to 30 MHz	12	12	dB $\mu$ V
			30 to 130 MHz	22	19	
			130 MHz to 1GHz	23	29	
			SAE EMI Level	4	4	-

**5.3.11 Absolute maximum ratings (electrical sensitivity)**

Based on three different tests (ESD, LU) using specific measurement methods, the device is stressed in order to determine its performance in terms of electrical sensitivity.

**Electrostatic discharge (ESD)**

Electrostatic discharges (a positive then a negative pulse separated by 1 second) are applied to the pins of each sample according to each pin combination. The sample size depends on the number of supply pins in the device (3 parts × (n + 1) supply pins). This test conforms to the JESD22-A114/C101 standard.

**Table 32. ESD absolute maximum ratings**

Symbol	Ratings	Conditions	Class	Maximum value <sup>(1)</sup>	Unit
V <sub>ESD(HBM)</sub>	Electrostatic discharge voltage (human body model)	T <sub>A</sub> = +25 °C conforming to JESD22-A114	2	2000	V
V <sub>ESD(CDM)</sub>	Electrostatic discharge voltage (charge device model)	T <sub>A</sub> = +25 °C conforming to ANSI/ESD STM5.3.1	II	500	

1. Guaranteed based on test during characterization

**Static latch-up**

Two complementary static tests are required on six parts to assess the latch-up performance:

- A supply overvoltage is applied to each power supply pin
- A current injection is applied to each input, output and configurable I/O pin

These tests are compliant with EIA/JESD 78A IC latch-up standard.

**Table 33. Electrical sensitivities**

Symbol	Parameter	Conditions	Class
LU	Static latch-up class	T <sub>A</sub> = +105 °C conforming to JESD78A	II level A

### 5.3.12 I/O current injection characteristics

As a general rule, current injection to the I/O pins, due to external voltage below  $V_{SS}$  or above  $V_{DD}$  (for standard, 3 V-capable I/O pins) should be avoided during normal product operation. However, in order to give an indication of the robustness of the microcontroller in cases when abnormal injection accidentally happens, susceptibility tests are performed on a sample basis during device characterization.

#### Functional susceptibility to I/O current injection

While a simple application is executed on the device, the device is stressed by injecting current into the I/O pins programmed in floating input mode. While current is injected into the I/O pin, one at a time, the device is checked for functional failures.

The failure is indicated by an out of range parameter: ADC error above a certain limit (>5 LSB TUE), out of spec current injection on adjacent pins or other functional failure (for example reset, oscillator frequency deviation).

The test results are given in [Table 34](#)

**Table 34. I/O current injection susceptibility**

Symbol	Description	Functional susceptibility		Unit
		Negative injection	Positive injection	
$I_{INJ}$	Injected current on OSC_IN32, OSC_OUT32, PA4, PA5, PC13	-0	+0	mA
	Injected current on all FT pins	-5	+0	
	Injected current on any other pin	-5	+5	

### 5.3.13 I/O port characteristics

#### General input/output characteristics

Unless otherwise specified, the parameters given in [Table 35](#) are derived from tests performed under the conditions summarized in [Table 9](#). All I/Os are CMOS and TTL compliant.

**Table 35. I/O static characteristics**

Symbol	Parameter	Conditions	Min	Typ	Max	Unit
V <sub>IL</sub>	Low level input voltage	Standard IO input low level voltage	-	-	0.28*(V <sub>DD</sub> -2 V)+0.8 V <sup>(1)</sup>	V
		IO FT <sup>(3)</sup> input low level voltage	-	-	0.32*(V <sub>DD</sub> -2V)+0.75 V <sup>(1)</sup>	
		All I/Os except BOOT0	-	-	0.35 V <sub>DD</sub> <sup>(2)</sup>	
V <sub>IH</sub>	High level input voltage	Standard IO input high level voltage	0.41*(V <sub>DD</sub> -2 V)+1.3 V <sup>(1)</sup>	-	-	V
		IO FT <sup>(3)</sup> input high level voltage	0.42*(V <sub>DD</sub> -2 V)+1 V <sup>(1)</sup>	-	-	
		All I/Os except BOOT0	0.65 V <sub>DD</sub> <sup>(2)</sup>	-	-	
V <sub>hys</sub>	Standard IO Schmitt trigger voltage hysteresis <sup>(4)</sup>	-	200	-	-	mV
	IO FT Schmitt trigger voltage hysteresis <sup>(4)</sup>	-	5% V <sub>DD</sub> <sup>(5)</sup>	-	-	
I <sub>lkg</sub>	Input leakage current <sup>(6)</sup>	V <sub>SS</sub> ≤ V <sub>IN</sub> ≤ V <sub>DD</sub> Standard I/Os	-	-	±1	μA
		V <sub>IN</sub> = 5 V I/O FT	-	-	3	
R <sub>PU</sub>	Weak pull-up equivalent resistor <sup>(7)</sup>	V <sub>IN</sub> = V <sub>SS</sub>	30	40	50	kΩ
R <sub>PD</sub>	Weak pull-down equivalent resistor <sup>(7)</sup>	V <sub>IN</sub> = V <sub>DD</sub>	30	40	50	
C <sub>IO</sub>	I/O pin capacitance		-	5	-	pF

1. Data based on design simulation.
2. Tested in production.
3. FT = 5 V tolerant. To sustain a voltage higher than V<sub>DD</sub> + 0.3 V the internal pull-up/pull-down resistors must be disabled.
4. Hysteresis voltage between Schmitt trigger switching levels. Evaluated by characterization, not tested in production, unless otherwise specified.
5. With a minimum of 100 mV.
6. Leakage can be higher than Max if negative current is injected on adjacent pins.

- 7. Pull-up and pull-down resistors are designed with a true resistance in series with a switchable PMOS/NMOS. This PMOS/NMOS contribution to the series resistance is minimum (~10%).

All I/Os are CMOS and TTL compliant (no software configuration required). Their characteristics cover more than the strict CMOS-technology or TTL parameters. The coverage of these requirements is shown in [Figure 26](#) and [Figure 27](#) for standard I/Os, and in [Figure 28](#) and [Figure 29](#) for 5 V tolerant I/Os.

Figure 26. Standard I/O input characteristics - CMOS port

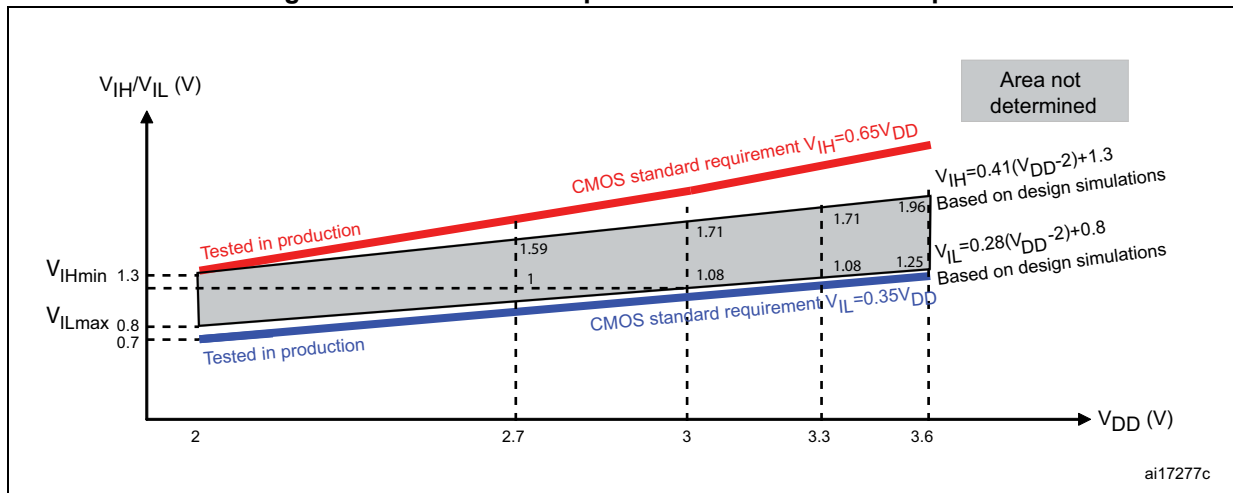


Figure 27. Standard I/O input characteristics - TTL port

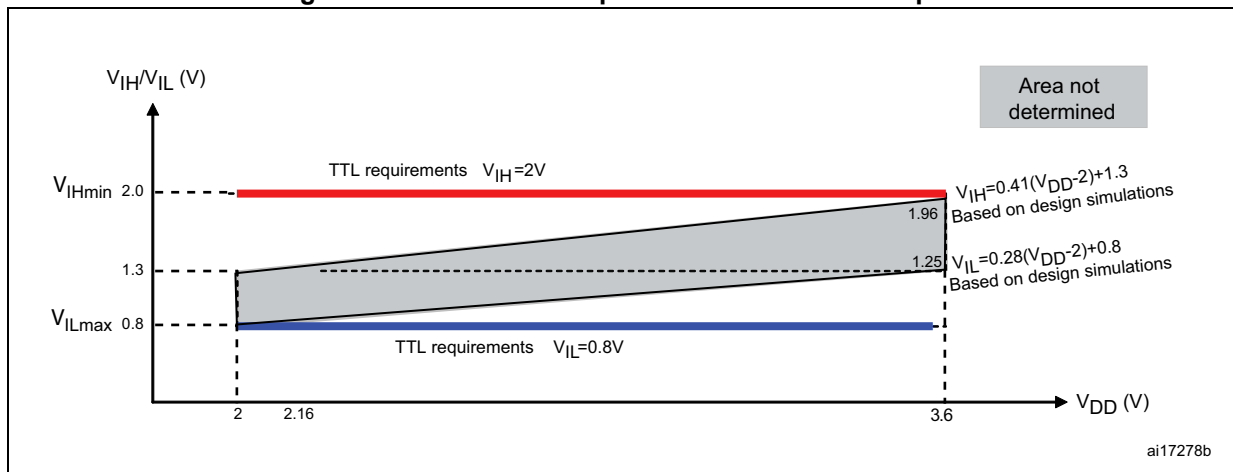


Figure 28. 5 V tolerant I/O input characteristics - CMOS port

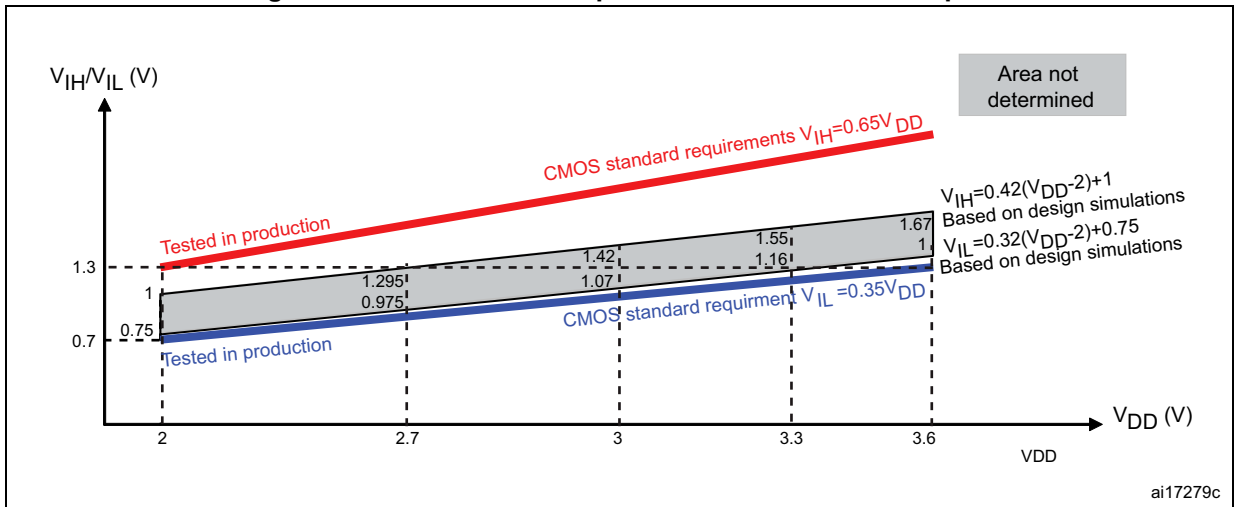
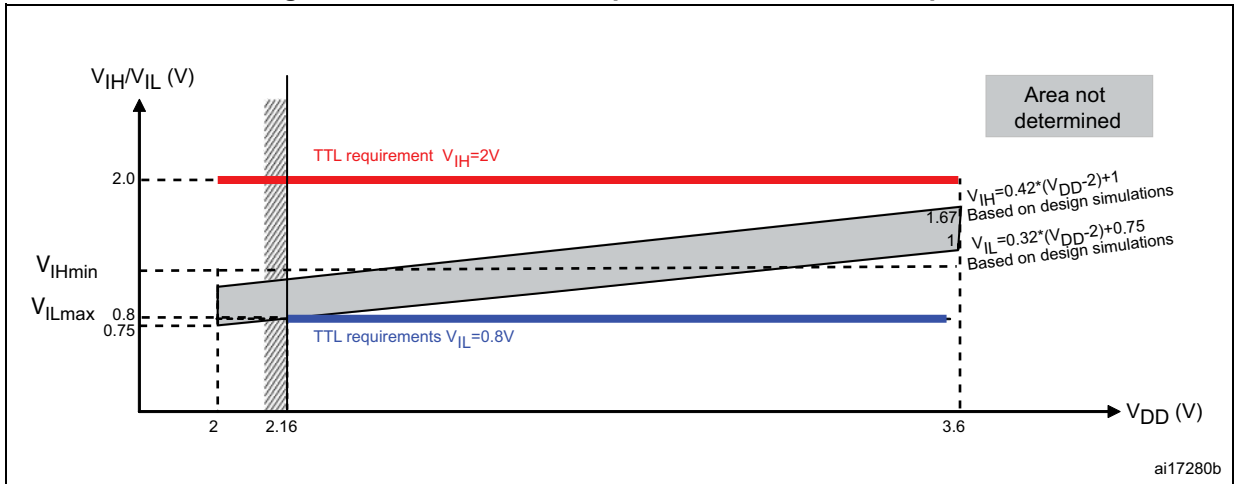


Figure 29. 5 V tolerant I/O input characteristics - TTL port



## Output driving current

The GPIOs (general-purpose inputs/outputs) can sink or source up to  $\pm 8$  mA, and sink or source up to  $\pm 20$  mA (with a relaxed  $V_{OL}/V_{OH}$ ) except PC13, PC14 and PC15, which can sink or source up to  $\pm 3$  mA. When using the GPIOs PC13 to PC15 in output mode, the speed should not exceed 2 MHz with a maximum load of 30 pF.

In the user application, the number of I/O pins which can drive current must be limited to respect the absolute maximum rating specified in [Section 5.2](#):

- The sum of the currents sourced by all the I/Os on  $V_{DD}$ , plus the maximum Run consumption of the MCU sourced on  $V_{DD}$ , cannot exceed the absolute maximum rating  $I_{VDD}$  (see [Table 7](#)).
- The sum of the currents sunk by all the I/Os on  $V_{SS}$  plus the maximum Run consumption of the MCU sunk on  $V_{SS}$  cannot exceed the absolute maximum rating  $I_{VSS}$  (see [Table 7](#)).

## Output voltage levels

Unless otherwise specified, the parameters given in [Table 36](#) are derived from tests performed under ambient temperature and  $V_{DD}$  supply voltage conditions summarized in [Table 9](#). All I/Os are CMOS and TTL compliant.

**Table 36. Output voltage characteristics**

Symbol	Parameter	Conditions	Min	Max	Unit
$V_{OL}^{(1)}$	Output low level voltage for an I/O pin when 8 pins are sunk at same time	CMOS port <sup>(2)</sup> , $I_{IO} = +8$ mA $2.7$ V < $V_{DD}$ < $3.6$ V	-	0.4	V
$V_{OH}^{(3)}$	Output high level voltage for an I/O pin when 8 pins are sourced at same time		$V_{DD}-0.4$	-	
$V_{OL}^{(1)}$	Output low level voltage for an I/O pin when 8 pins are sunk at same time	TTL port <sup>(2)</sup> $I_{IO} = +8$ mA $2.7$ V < $V_{DD}$ < $3.6$ V	-	0.4	
$V_{OH}^{(3)}$	Output high level voltage for an I/O pin when 8 pins are sourced at same time		2.4	-	
$V_{OL}^{(1)(4)}$	Output low level voltage for an I/O pin when 8 pins are sunk at same time	$I_{IO} = +20$ mA $2.7$ V < $V_{DD}$ < $3.6$ V	-	1.3	
$V_{OH}^{(3)(4)}$	Output high level voltage for an I/O pin when 8 pins are sourced at same time		$V_{DD}-1.3$	-	
$V_{OL}^{(1)(4)}$	Output low level voltage for an I/O pin when 8 pins are sunk at same time	$I_{IO} = +6$ mA $2$ V < $V_{DD}$ < $2.7$ V	-	0.4	
$V_{OH}^{(3)(4)}$	Output high level voltage for an I/O pin when 8 pins are sourced at same time		$V_{DD}-0.4$	-	

1. The  $I_{IO}$  current sunk by the device must always respect the absolute maximum rating specified in [Table 7](#) and the sum of  $I_{IO}$  (I/O ports and control pins) must not exceed  $I_{VSS}$ .
2. TTL and CMOS outputs are compatible with JEDEC standards JESD36 and JESD52.
3. The  $I_{IO}$  current sourced by the device must always respect the absolute maximum rating specified in [Table 7](#) and the sum of  $I_{IO}$  (I/O ports and control pins) must not exceed  $I_{VDD}$ .
4. Evaluated by characterization, not tested in production, unless otherwise specified.



**Input/output AC characteristics**

The definition and values of input/output AC characteristics are given in [Figure 30](#) and [Table 37](#), respectively.

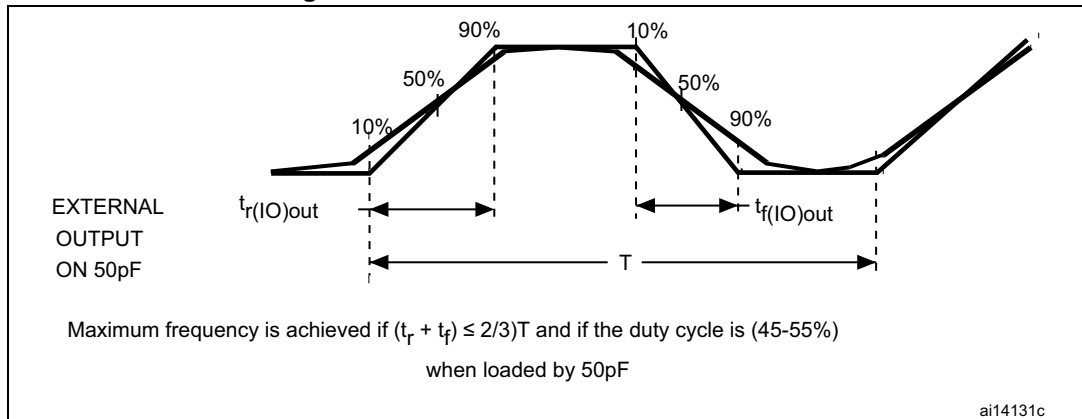
Unless otherwise specified, the parameters given in [Table 37](#) are derived from tests performed under the ambient temperature and V<sub>DD</sub> supply voltage conditions summarized in [Table 9](#).

**Table 37. I/O AC characteristics<sup>(1)</sup>**

MODEx[1:0] bit value <sup>(1)</sup>	Symbol	Parameter	Conditions	Min	Max	Unit
10	f <sub>max(IO)out</sub>	Maximum frequency <sup>(2)</sup>	C <sub>L</sub> = 50 pF, V <sub>DD</sub> = 2 V to 3.6 V	-	2	MHz
	t <sub>f(IO)out</sub>	Output high to low level fall time	C <sub>L</sub> = 50 pF, V <sub>DD</sub> = 2 V to 3.6 V	-	125 <sup>(3)</sup>	ns
	t <sub>r(IO)out</sub>	Output low to high level rise time		-	125 <sup>(3)</sup>	
01	f <sub>max(IO)out</sub>	Maximum frequency <sup>(2)</sup>	C <sub>L</sub> = 50 pF, V <sub>DD</sub> = 2 V to 3.6 V	-	10	MHz
	t <sub>f(IO)out</sub>	Output high to low level fall time	C <sub>L</sub> = 50 pF, V <sub>DD</sub> = 2 V to 3.6 V	-	25 <sup>(3)</sup>	ns
	t <sub>r(IO)out</sub>	Output low to high level rise time		-	25 <sup>(3)</sup>	
11	F <sub>max(IO)out</sub>	Maximum frequency <sup>(2)</sup>	C <sub>L</sub> = 30 pF, V <sub>DD</sub> = 2.7 V to 3.6 V	-	50	MHz
			C <sub>L</sub> = 50 pF, V <sub>DD</sub> = 2.7 V to 3.6 V	-	30	
			C <sub>L</sub> = 50 pF, V <sub>DD</sub> = 2 V to 2.7 V	-	20	
	t <sub>f(IO)out</sub>	Output high to low level fall time	C <sub>L</sub> = 30 pF, V <sub>DD</sub> = 2.7 V to 3.6 V	-	5 <sup>(3)</sup>	ns
			C <sub>L</sub> = 50 pF, V <sub>DD</sub> = 2.7 V to 3.6 V	-	8 <sup>(3)</sup>	
			C <sub>L</sub> = 50 pF, V <sub>DD</sub> = 2 V to 2.7 V	-	12 <sup>(3)</sup>	
	t <sub>r(IO)out</sub>	Output low to high level rise time	C <sub>L</sub> = 30 pF, V <sub>DD</sub> = 2.7 V to 3.6 V	-	5 <sup>(3)</sup>	
			C <sub>L</sub> = 50 pF, V <sub>DD</sub> = 2.7 V to 3.6 V	-	8 <sup>(3)</sup>	
			C <sub>L</sub> = 50 pF, V <sub>DD</sub> = 2 V to 2.7 V	-	12 <sup>(3)</sup>	
-	t <sub>EXTIpw</sub>	Pulse width of external signals detected by the EXTI controller	-	10	-	ns

1. The I/O speed is configured using the MODEx[1:0] bits. Refer to the STM32F10xxx reference manual for a description of GPIO port configuration register.
2. The maximum frequency is defined in [Figure 30](#).
3. Specified by design, not tested in production.

Figure 30. I/O AC characteristics definition



### 5.3.14 NRST pin characteristics

The NRST pin input driver uses CMOS technology. It is connected to a permanent pull-up resistor,  $R_{PU}$  (see [Table 35](#)).

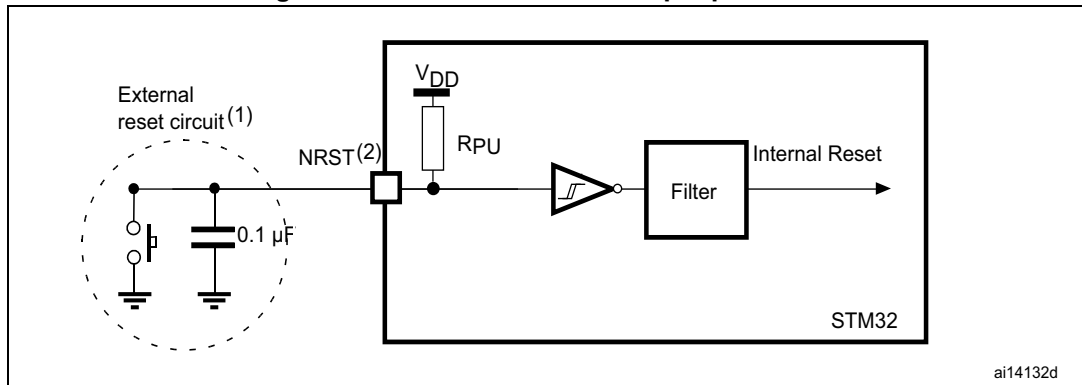
Unless otherwise specified, the parameters given in [Table 38](#) are derived from tests performed under the ambient temperature and  $V_{DD}$  supply voltage conditions summarized in [Table 9](#).

Table 38. NRST pin characteristics

Symbol	Parameter	Conditions	Min	Typ	Max	Unit
$V_{IL(NRST)}^{(1)}$	NRST Input low level voltage	-	-0.5	-	0.8	V
$V_{IH(NRST)}^{(1)}$	NRST Input high level voltage	-	2	-	$V_{DD}+0.5$	
$V_{hys(NRST)}$	NRST Schmitt trigger voltage hysteresis	-	-	200	-	mV
$R_{PU}$	Weak pull-up equivalent resistor <sup>(2)</sup>	$V_{IN} = V_{SS}$	30	40	50	kΩ
$V_{F(NRST)}^{(1)}$	NRST Input filtered pulse	-	-	-	100	ns
$V_{NF(NRST)}^{(1)}$	NRST Input not filtered pulse	-	300	-	-	ns

1. Specified by design, not tested in production.
2. The pull-up is designed with a true resistance in series with a switchable PMOS. This PMOS contribution to the series resistance must be minimum (~10%).

Figure 31. Recommended NRST pin protection



2. The reset network protects the device against parasitic resets.
3. The user must ensure that the level on the NRST pin can go below the  $V_{IL(NRST)}$  max level specified in [Table 38](#), otherwise the reset is not taken into account by the device.

### 5.3.15 TIM timer characteristics

The parameters given in [Table 39](#) are specified by design, not tested in production.

Refer to [Section 5.3.12](#) for details on the input/output alternate function characteristics (output compare, input capture, external clock, PWM output).

Table 39. TIMx<sup>(1)</sup> characteristics

Symbol	Parameter	Conditions	Min	Max	Unit
$t_{res(TIM)}$	Timer resolution time	-	1	-	$t_{TIMxCLK}$
		$f_{TIMxCLK} = 72 \text{ MHz}$	13.9	-	ns
$f_{EXT}$	Timer external clock frequency on CH1 to CH4	-	0	$f_{TIMxCLK}/2$	MHz
		$f_{TIMxCLK} = 72 \text{ MHz}$	0	36	MHz
$Res_{TIM}$	Timer resolution	-	-	16	bit
$t_{COUNTER}$	16-bit counter clock period when internal clock is selected	-	1	65536	$t_{TIMxCLK}$
		$f_{TIMxCLK} = 72 \text{ MHz}$	0.0139	910	$\mu\text{s}$
$t_{MAX\_COUNT}$	Maximum possible count	-	-	$65536 \times 65536$	$t_{TIMxCLK}$
		$f_{TIMxCLK} = 72 \text{ MHz}$	-	59.6	s

1. TIMx is used as a general term to refer to the TIM1, TIM2, TIM3 and TIM4 timers.

### 5.3.16 Communications interfaces

#### I<sup>2</sup>C interface characteristics

The STM32F103xx performance line I<sup>2</sup>C interface meets the requirements of the standard I<sup>2</sup>C communication protocol with the following restrictions: the I/O pins SDA and SCL are mapped to are not “true” open-drain. When configured as open-drain, the PMOS connected between the I/O pin and V<sub>DD</sub> is disabled, but is still present.

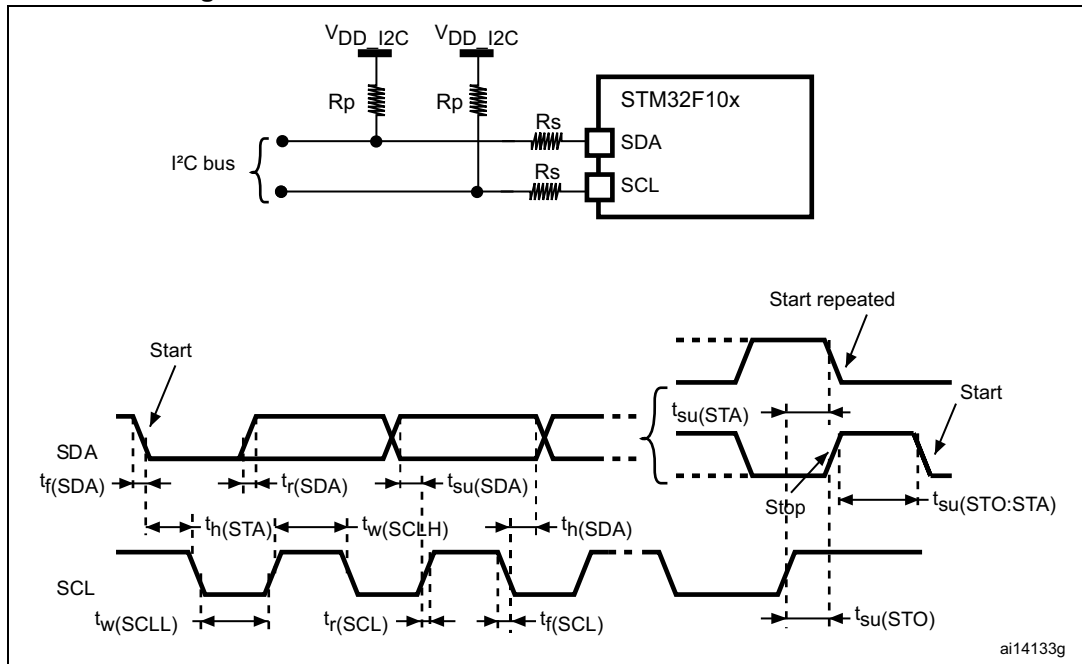
The I<sup>2</sup>C characteristics are described in [Table 40](#). Refer also to [Section 5.3.12](#) for more details on the input/output alternate function characteristics (SDA and SCL).

**Table 40. I<sup>2</sup>C characteristics**

Symbol	Parameter	Standard mode I <sup>2</sup> C <sup>(1)(2)</sup>		Fast mode I <sup>2</sup> C <sup>(1)(2)</sup>		Unit
		Min	Max	Min	Max	
t <sub>w(SCLL)</sub>	SCL clock low time	4.7	-	1.3	-	μs
t <sub>w(SCLH)</sub>	SCL clock high time	4.0	-	0.6	-	
t <sub>su(SDA)</sub>	SDA setup time	250	-	100	-	ns
t <sub>h(SDA)</sub>	SDA data hold time	-	3450 <sup>(3)</sup>	-	900 <sup>(3)</sup>	
t <sub>r(SDA)</sub> t <sub>r(SCL)</sub>	SDA and SCL rise time	-	1000	-	300	
t <sub>f(SDA)</sub> t <sub>f(SCL)</sub>	SDA and SCL fall time	-	300	-	300	
t <sub>h(STA)</sub>	Start condition hold time	4.0	-	0.6	-	μs
t <sub>su(STA)</sub>	Repeated Start condition setup time	4.7	-	0.6	-	
t <sub>su(STO)</sub>	Stop condition setup time	4.0	-	0.6	-	μs
t <sub>w(STO:STA)</sub>	Stop to Start condition time (bus free)	4.7	-	1.3	-	μs
C <sub>b</sub>	Capacitive load for each bus line	-	400	-	400	pF
t <sub>SP</sub>	Pulse width of spikes suppressed by the analog filter	0	50 <sup>(4)</sup>	0	50 <sup>(4)</sup>	ns

1. Specified by design, not tested in production.
2. f<sub>PCLK1</sub> must be at least 2 MHz to achieve standard mode I<sup>2</sup>C frequencies. It must be at least 4 MHz to achieve fast mode I<sup>2</sup>C frequencies. It must be a multiple of 10 MHz to reach the 400 kHz maximum I<sup>2</sup>C fast mode clock.
3. The maximum Data hold time must be met if the interface does not stretch the low period of SCL signal.
4. The minimum width of the spikes filtered by the analog filter is above t<sub>SP(max)</sub>.

Figure 32. I<sup>2</sup>C bus AC waveforms and measurement circuit



1. Measurement points are done at CMOS levels: 0.3 V<sub>DD</sub> and 0.7 V<sub>DD</sub>.
2. R<sub>s</sub> = Series protection resistors, R<sub>p</sub> = Pull-up resistors, V<sub>DD\_I2C</sub> = I2C bus supply.

Table 41. SCL frequency (f<sub>PCLK1</sub> = 36 MHz, V<sub>DD\_I2C</sub> = 3.3 V)<sup>(1)(2)</sup>

f <sub>SCL</sub> (kHz)	I2C_CCR value
	R <sub>p</sub> = 4.7 kΩ
400	0x801E
300	0x8028
200	0x803C
100	0x00B4
50	0x0168
20	0x0384

1. R<sub>p</sub> = External pull-up resistance, f<sub>SCL</sub> = I<sup>2</sup>C speed,
2. For speeds around 200 kHz, the tolerance on the achieved speed is ±5%. For other speed ranges, the tolerance on the achieved speed is ±2%. These variations depend upon the accuracy of the external components used to design the application.

### SPI interface characteristics

Unless otherwise specified, the parameters given in [Table 42](#) are derived from tests performed under the ambient temperature,  $f_{PCLKx}$  frequency and  $V_{DD}$  supply voltage conditions summarized in [Table 9](#).

Refer to [Section 5.3.12](#) for more details on the input/output alternate function characteristics (NSS, SCK, MOSI, MISO).

**Table 42. SPI characteristics**

Symbol	Parameter	Conditions	Min	Max	Unit
$f_{SCK}$ $1/t_{c(SCK)}$	SPI clock frequency	Master mode	-	18	MHz
		Slave mode	-	18	
$t_{r(SCK)}$ $t_{f(SCK)}$	SPI clock rise and fall time	Capacitive load: C = 30 pF	-	8	ns
DuCy(SCK)	SPI slave input clock duty cycle	Slave mode	30	70	%
$t_{su(NSS)}^{(1)}$	NSS setup time	Slave mode	$4 t_{PCLK}$	-	ns
$t_{h(NSS)}^{(1)}$	NSS hold time	Slave mode	$2 t_{PCLK}$	-	
$t_{w(SCKH)}^{(1)}$ $t_{w(SCKL)}^{(1)}$	SCK high and low time	Master mode, $f_{PCLK} = 36$ MHz, presc = 4	50	60	
$t_{su(MI)}^{(1)}$ $t_{su(SI)}^{(1)}$	Data input setup time	Master mode	5	-	
		Slave mode	5	-	
$t_{h(MI)}^{(1)}$ $t_{h(SI)}^{(1)}$	Data input hold time	Master mode	5	-	
		Slave mode	4	-	
$t_{a(SO)}^{(1)(2)}$	Data output access time	Slave mode, $f_{PCLK} = 20$ MHz	0	$3 t_{PCLK}$	
$t_{dis(SO)}^{(1)(3)}$	Data output disable time	Slave mode	2	10	
$t_{v(SO)}^{(1)}$	Data output valid time	Slave mode (after enable edge)	-	25	
$t_{v(MO)}^{(1)}$	Data output valid time	Master mode (after enable edge)	-	5	
$t_{h(SO)}^{(1)}$ $t_{h(MO)}^{(1)}$	Data output hold time	Slave mode (after enable edge)	15	-	
		Master mode (after enable edge)	2	-	

1. Evaluated by characterization, not tested in production, unless otherwise specified.
2. Min time is for the minimum time to drive the output and the max time is for the maximum time to validate the data.
3. Min time is for the minimum time to invalidate the output and the max time is for the maximum time to put the data in Hi-Z.

Figure 33. SPI timing diagram - slave mode and CPHA = 0

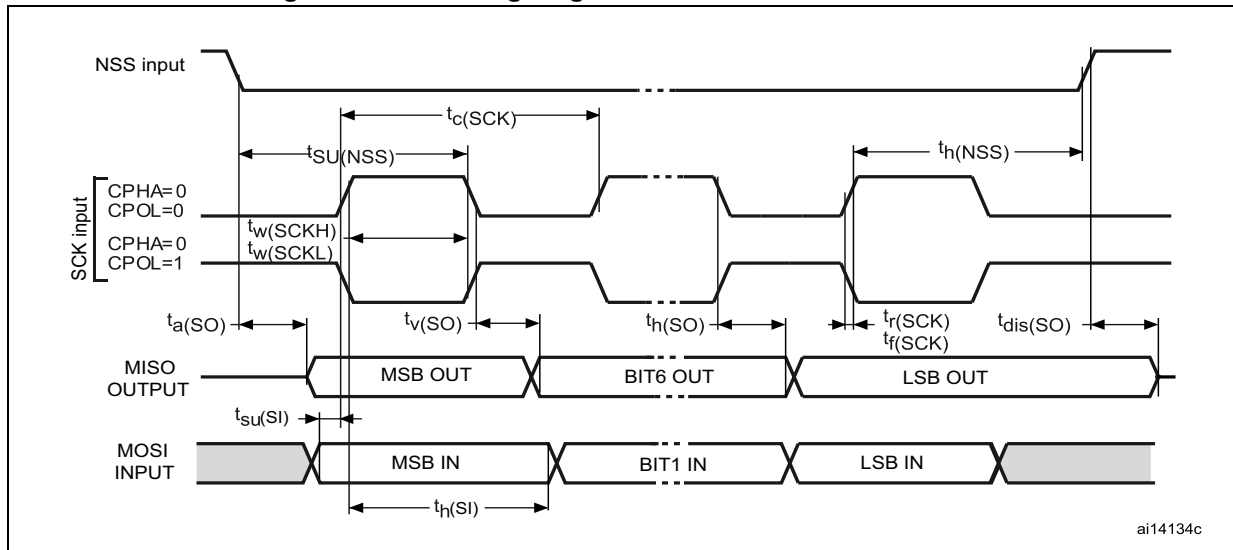
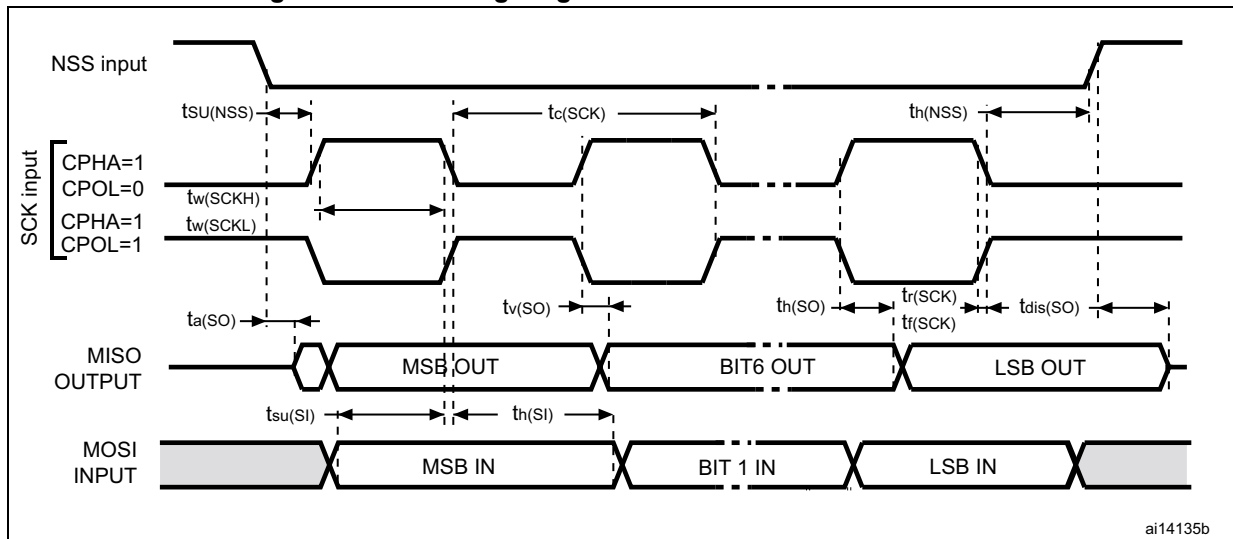
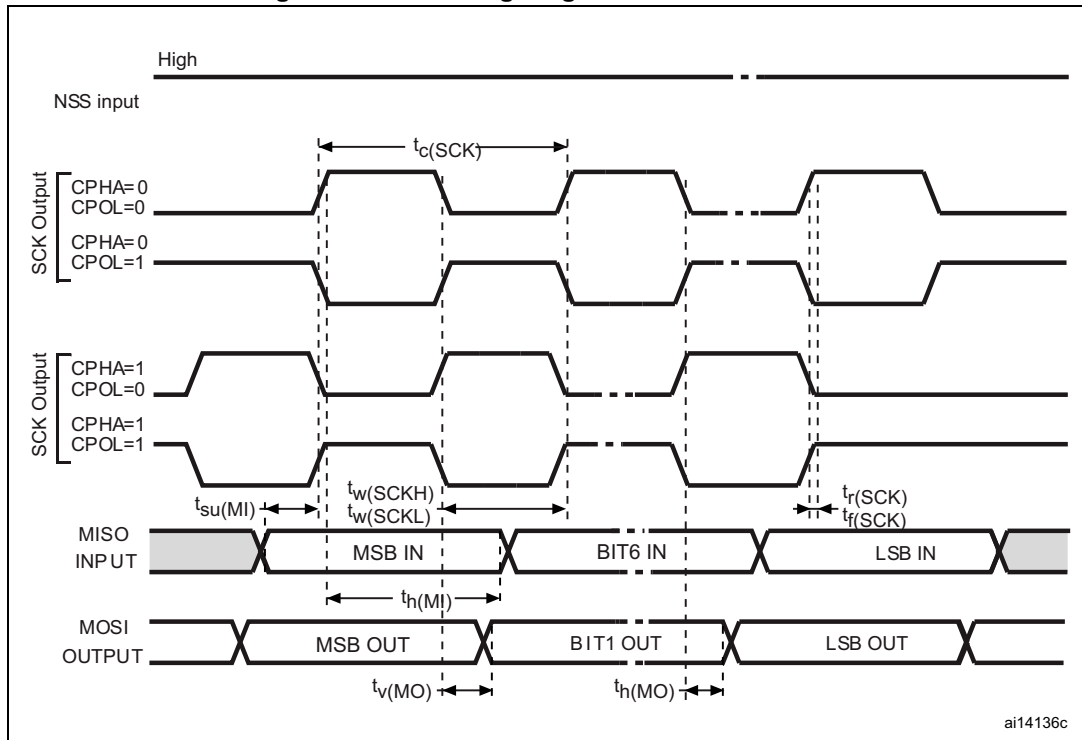


Figure 34. SPI timing diagram - slave mode and CPHA = 1<sup>(1)</sup>



1. Measurement points are done at CMOS levels: 0.3  $V_{DD}$  and 0.7  $V_{DD}$ .

Figure 35. SPI timing diagram - master mode<sup>(1)</sup>



1. Measurement points are done at CMOS levels: 0.3  $V_{DD}$  and 0.7  $V_{DD}$ .

**USB characteristics**

The USB interface is USB-IF certified (Full Speed).

Table 43. USB startup time

Symbol	Parameter	Max	Unit
$t_{STARTUP}^{(1)}$	USB transceiver startup time	1	$\mu s$

1. Specified by design, not tested in production.



Table 44. USB DC electrical characteristics

Symbol	Parameter	Conditions	Min. <sup>(1)</sup>	Max. <sup>(1)</sup>	Unit
<b>Input levels</b>					
V <sub>DD</sub>	USB operating voltage <sup>(2)</sup>		3.0 <sup>(3)</sup>	3.6	V
V <sub>DI</sub> <sup>(4)</sup>	Differential input sensitivity	I(USBDP, USBDM)	0.2	-	V
V <sub>CM</sub> <sup>(4)</sup>	Differential common mode range	Includes V <sub>DI</sub> range	0.8	2.5	
V <sub>SE</sub> <sup>(4)</sup>	Single ended receiver threshold		1.3	2.0	
<b>Output levels</b>					
V <sub>OL</sub>	Static output level low	R <sub>L</sub> of 1.5 kΩ to 3.6 V <sup>(5)</sup>	-	0.3	V
V <sub>OH</sub>	Static output level high	R <sub>L</sub> of 15 kΩ to V <sub>SS</sub> <sup>(5)</sup>	2.8	3.6	

1. All the voltages are measured from the local ground potential.
2. To be compliant with the USB 2.0 full-speed electrical specification, the USBDP (D+) pin must be pulled up with a 1.5 kΩ resistor to a 3.0 to 3.6 V voltage range.
3. The STM32F103xx USB functionality is ensured down to 2.7 V, but not the full USB electrical characteristics, which are degraded in the 2.7 to 3.0 V V<sub>DD</sub> voltage range.
4. Specified by design, not tested in production.
5. R<sub>L</sub> is the load connected on the USB drivers.

Figure 36. USB timings: definition of data signal rise and fall time

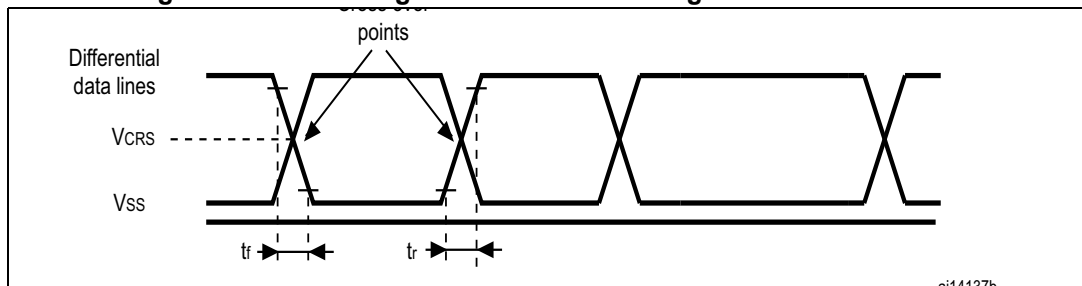


Table 45. USB: Full-speed electrical characteristics<sup>(1)</sup>

Symbol	Parameter	Conditions	Min	Max	Unit
<b>Driver characteristics</b>					
t <sub>r</sub>	Rise time <sup>(2)</sup>	C <sub>L</sub> = 50 pF	4	20	ns
t <sub>f</sub>	Fall time <sup>(2)</sup>	C <sub>L</sub> = 50 pF	4	20	ns
t <sub>r/m</sub>	Rise/ fall time matching	t <sub>r</sub> /t <sub>f</sub>	90	110	%
V <sub>CRS</sub>	Output signal crossover voltage	-	1.3	2.0	V

1. Specified by design, not tested in production.
2. Measured from 10% to 90% of the data signal. For more detailed informations, refer to USB specification - Section 7 (version 2.0).

### 5.3.17 CAN (controller area network) interface

Refer to [Section 5.3.12](#) for more details on the input/output alternate function characteristics (CAN\_TX and CAN\_RX).

### 5.3.18 12-bit ADC characteristics

Unless otherwise specified, the parameters given in [Table 46](#) are derived from tests performed under the ambient temperature,  $f_{PCLK2}$  frequency and  $V_{DDA}$  supply voltage conditions summarized in [Table 9](#).

*Note:* It is recommended to perform a calibration after each power-up.

**Table 46. ADC characteristics**

Symbol	Parameter	Conditions	Min	Typ	Max	Unit
$V_{DDA}$	Power supply	-	2.4	-	3.6	V
$V_{REF+}$	Positive reference voltage	-	2.4	-	$V_{DDA}$	
$I_{VREF}$	Current on the $V_{REF}$ input pin	-	-	160 <sup>(1)</sup>	220 <sup>(1)</sup>	$\mu A$
$f_{ADC}$	ADC clock frequency	-	0.6	-	14	MHz
$f_S^{(2)}$	Sampling rate	-	0.05	-	1	
$f_{TRIG}^{(2)}$	External trigger frequency	$f_{ADC} = 14$ MHz	-	-	823	kHz
		-	-	-	17	$1 / f_{ADC}$
$V_{AIN}^{(3)}$	Conversion voltage range		0 ( $V_{SSA}$ or $V_{REF-}$ tied to ground)	-	$V_{REF+}$	V
$R_{AIN}^{(2)}$	External input impedance	See <a href="#">Equation 1</a> and <a href="#">Table 47</a> for details	-	-	50	k $\Omega$
$R_{ADC}^{(2)}$	Sampling switch resistance	-	-	-	1	
$C_{ADC}^{(2)}$	Internal sample and hold capacitor	-	-	-	8	pF
$t_{CAL}^{(2)}$	Calibration time	$f_{ADC} = 14$ MHz	5.9			$\mu s$
		-	83			$1 / f_{ADC}$
$t_{lat}^{(2)}$	Injection trigger conversion latency	$f_{ADC} = 14$ MHz	-	-	0.214	$\mu s$
		-	-	-	3 <sup>(4)</sup>	$1 / f_{ADC}$
$t_{latr}^{(2)}$	Regular trigger conversion latency	$f_{ADC} = 14$ MHz	-	-	0.143	$\mu s$
		-	-	-	2 <sup>(4)</sup>	$1 / f_{ADC}$
$t_S^{(2)}$	Sampling time	$f_{ADC} = 14$ MHz	0.107	-	17.1	$\mu s$
		-	1.5	-	239.5	$1 / f_{ADC}$
$t_{STAB}^{(2)}$	Power-up time	-	0	0	1	$\mu s$
$t_{CONV}^{(2)}$	Total conversion time (including sampling time)	$f_{ADC} = 14$ MHz	1	-	18	$\mu s$
		-	14 to 252 ( $t_S$ for sampling +12.5 for successive approximation)			$1 / f_{ADC}$

1. Evaluated by characterization, not tested in production, unless otherwise specified.
2. Specified by design, not tested in production.
3. In devices delivered in VFQFPN and LQFP packages,  $V_{REF+}$  is internally connected to  $V_{DDA}$  and  $V_{REF-}$  is internally connected to  $V_{SSA}$ . Devices that come in the TFBGA64 package have a  $V_{REF+}$  pin but no  $V_{REF-}$  pin ( $V_{REF-}$  is internally connected to  $V_{SSA}$ ), see [Table 5](#) and [Figure 7](#).
4. For external triggers, a delay of  $1/f_{PCLK2}$  must be added to the latency specified in [Table 46](#).

**Equation 1:  $R_{AIN}$  max formula:**

$$R_{AIN} < \frac{T_S}{f_{ADC} \times C_{ADC} \times \ln(2^{N+2})} - R_{ADC}$$

The formula above ([Equation 1](#)) is used to determine the maximum external impedance allowed for an error below 1/4 of LSB. Here N = 12 (from 12-bit resolution).

**Table 47.  $R_{AIN}$  max for  $f_{ADC} = 14$  MHz<sup>(1)</sup>**

$T_S$ (cycles)	$t_S$ (µs)	$R_{AIN}$ max (kΩ)
1.5	0.11	0.4
7.5	0.54	5.9
13.5	0.96	11.4
28.5	2.04	25.2
41.5	2.96	37.2
55.5	3.96	50
71.5	5.11	NA
239.5	17.1	NA

1. Evaluated by characterization, not tested in production, unless otherwise specified.

**Table 48. ADC accuracy - Limited test conditions<sup>(1) (2)</sup>**

Symbol	Parameter	Test conditions	Typ	Max <sup>(3)</sup>	Unit
ET	Total unadjusted error	$f_{PCLK2} = 56$ MHz, $f_{ADC} = 14$ MHz, $R_{AIN} < 10$ kΩ, $V_{DDA} = 3$ V to 3.6 V, $T_A = 25$ °C Measurements made after ADC calibration	±1.3	±2	LSB
EO	Offset error		±1.0	±1.5	
EG	Gain error		±0.5	±1.5	
ED	Differential linearity error		±0.7	±1.0	
EL	Integral linearity error		±0.8	±1.5	

- ADC DC accuracy values are measured after internal calibration.
- Injecting a negative current on any analog input pins should be avoided as this significantly reduces the accuracy of the conversion being performed on another analog input. It is recommended to add a Schottky diode (pin to ground) to analog pins that may potentially inject negative currents. Any positive injection current within the limits specified for  $I_{INJ(PIN)}$  and  $\Sigma I_{INJ(PIN)}$  in [Section 5.3.12](#) does not affect the ADC accuracy.
- Evaluated by characterization, not tested in production, unless otherwise specified.

Table 49. ADC accuracy<sup>(1) (2) (3)</sup>

Symbol	Parameter	Test conditions	Typ	Max <sup>(4)</sup>	Unit
ET	Total unadjusted error	$f_{PCLK2} = 56 \text{ MHz}$ , $f_{ADC} = 14 \text{ MHz}$ , $R_{AIN} < 10 \text{ k}\Omega$ , $V_{DDA} = 2.4 \text{ V to } 3.6 \text{ V}$ Measurements made after ADC calibration	$\pm 2$	$\pm 5$	LSB
EO	Offset error		$\pm 1.5$	$\pm 2.5$	
EG	Gain error		$\pm 1.5$	$\pm 3$	
ED	Differential linearity error		$\pm 1$	$\pm 2$	
EL	Integral linearity error		$\pm 1.5$	$\pm 3$	

1. ADC DC accuracy values are measured after internal calibration.
2. Better performance can be achieved in restricted  $V_{DD}$ , frequency and temperature ranges.
3. Injecting a negative current on any analog input pins should be avoided as this significantly reduces the accuracy of the conversion being performed on another analog input. It is recommended to add a Schottky diode (pin to ground) to standard analog pins which may potentially inject negative current. Any positive injection current within the limits specified for  $I_{INJ(PIN)}$  and  $\Sigma I_{INJ(PIN)}$  in [Section 5.3.12](#) does not affect the ADC accuracy.
4. Evaluated by characterization, not tested in production, unless otherwise specified.

Figure 37. ADC accuracy characteristics

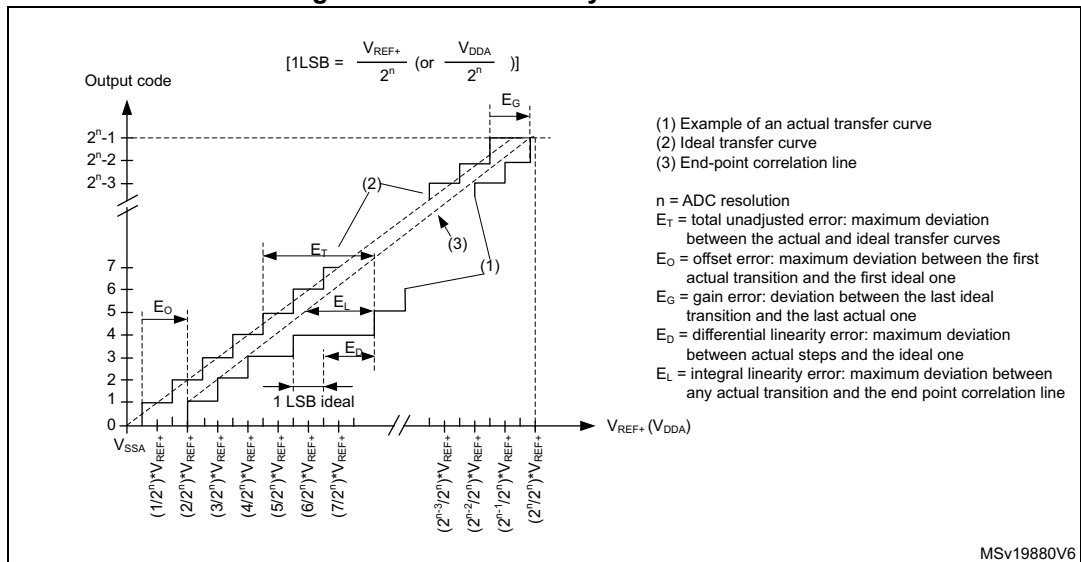
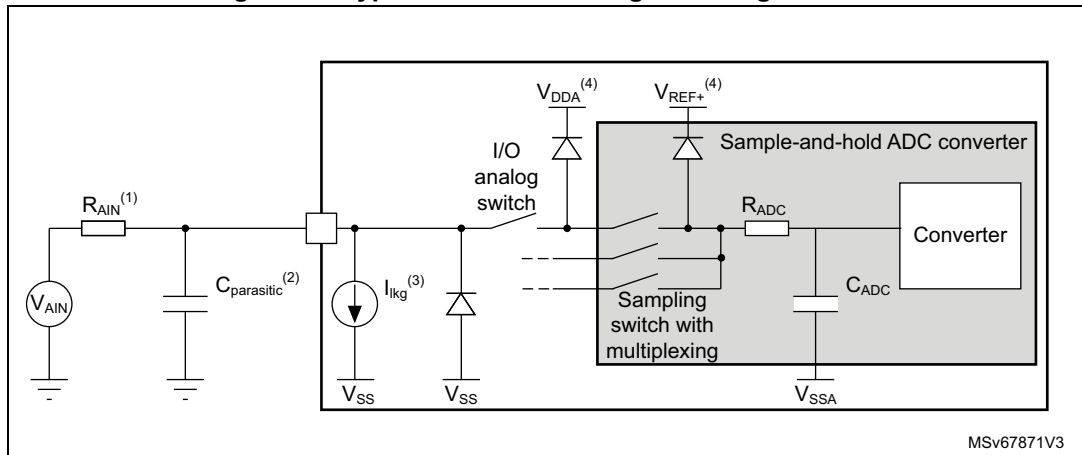


Figure 38. Typical connection diagram using the ADC

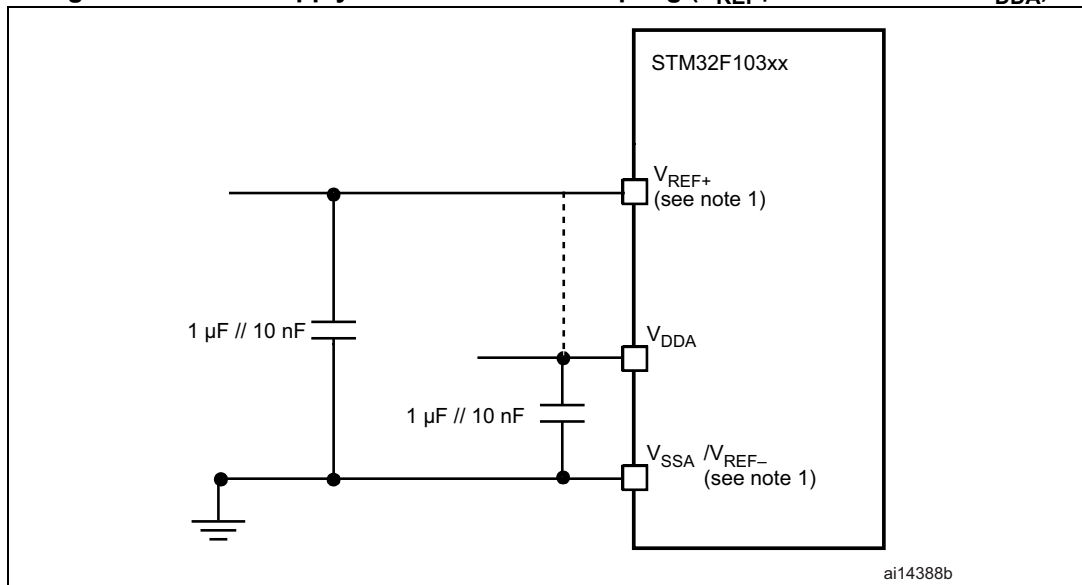


1. Refer to [Table 46](#) for the values of  $R_{AIN}$ ,  $R_{ADC}$  and  $C_{ADC}$ .
2.  $C_{parasitic}$  represents the capacitance of the PCB (dependent on soldering and PCB layout quality) plus the pad capacitance (refer to [Table 35](#) for the value of the pad capacitance). A high  $C_{parasitic}$  value will downgrade conversion accuracy. To remedy this,  $f_{ADC}$  should be reduced.
3. Refer to [Table 35](#) for the values of  $I_{kg}$ .
4. Refer to [Figure 14](#).

**General PCB design guidelines**

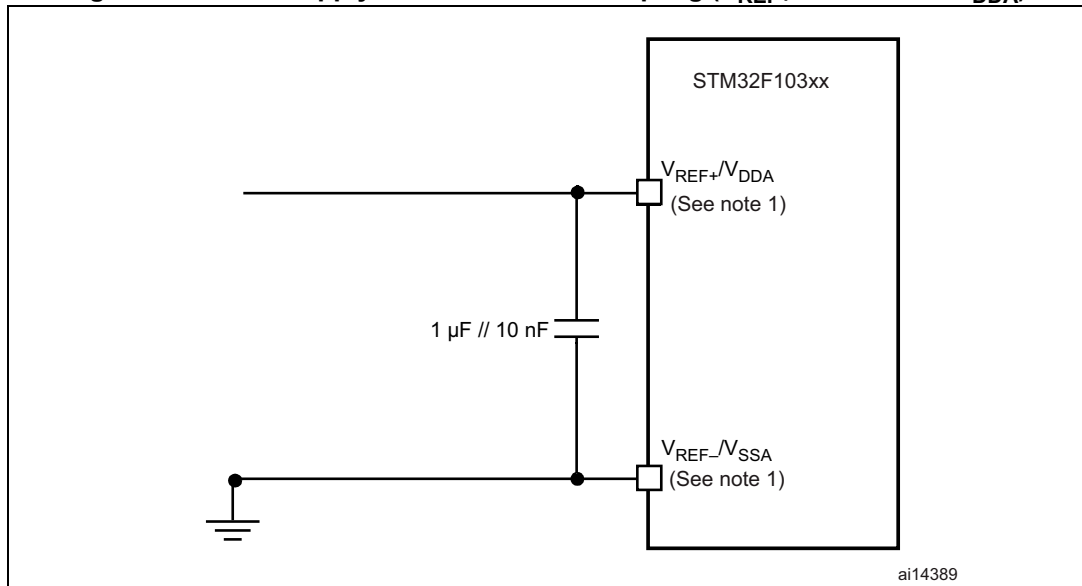
Power supply decoupling must be performed as shown in [Figure 39](#) or [Figure 40](#), depending on whether  $V_{REF+}$  is connected to  $V_{DDA}$  or not. The 10 nF capacitors should be ceramic (good quality), and placed as close as possible to the chip.

Figure 39. Power supply and reference decoupling ( $V_{REF+}$  not connected to  $V_{DDA}$ )



1.  $V_{REF+}$  and  $V_{REF-}$  inputs are available only on 100-pin packages.

Figure 40. Power supply and reference decoupling ( $V_{REF+}$  connected to  $V_{DDA}$ )



1.  $V_{REF+}$  and  $V_{REF-}$  inputs are available only on 100-pin packages.

### 5.3.19 Temperature sensor characteristics

Table 50. TS characteristics

Symbol	Parameter	Min	Typ	Max	Unit
$T_L^{(1)}$	$V_{SENSE}$ linearity with temperature	-	$\pm 1$	$\pm 2$	$^{\circ}C$
Avg_Slope <sup>(1)</sup>	Average slope	4.0	4.3	4.6	mV / $^{\circ}C$
$V_{25}^{(1)}$	Voltage at 25 $^{\circ}C$	1.34	1.43	1.52	V
$t_{START}^{(2)}$	Startup time	4	-	10	$\mu s$
$T_{S\_temp}^{(3)(2)}$	ADC sampling time when reading the temperature	-	-	17.1	

1. Evaluated by characterization, not tested in production, unless otherwise specified.
2. Specified by design, not tested in production.
3. Shortest sampling time can be determined in the application by multiple iterations.

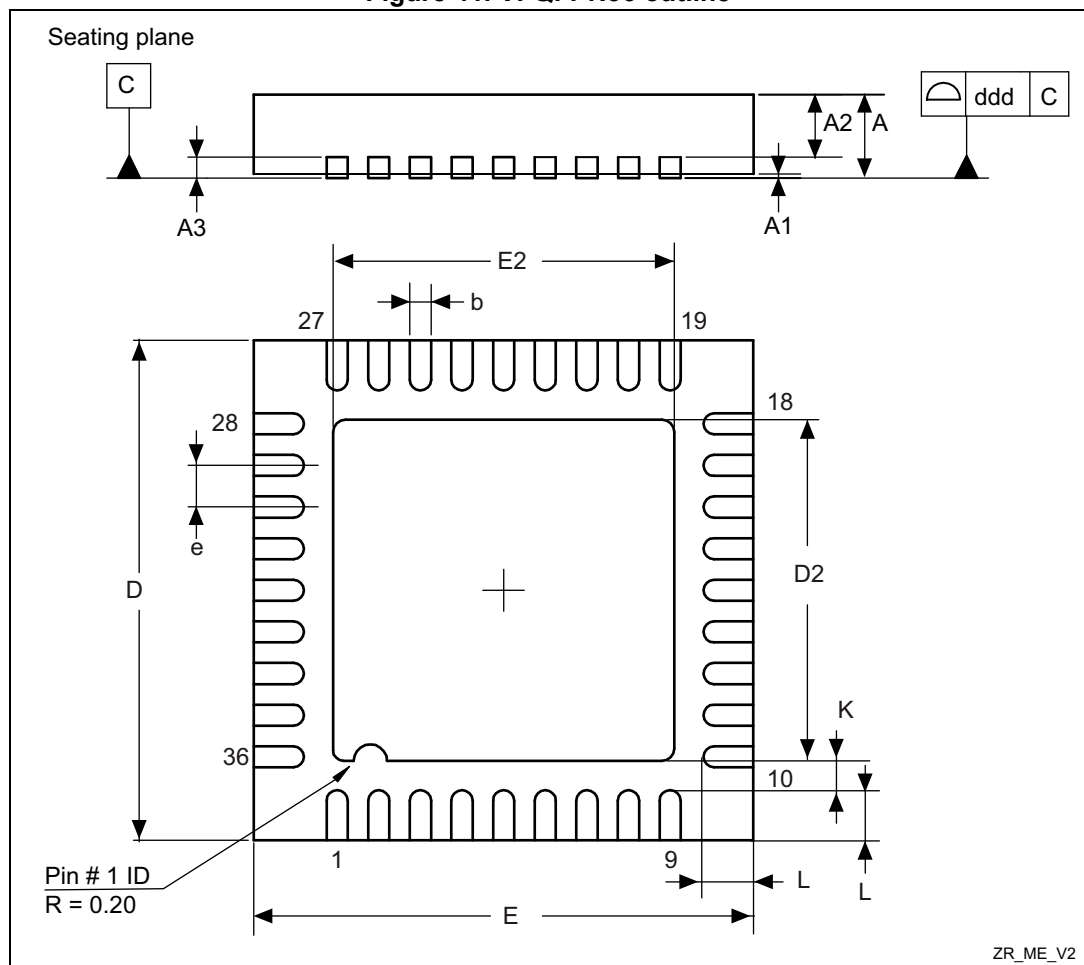
## 6 Package information

In order to meet environmental requirements, ST offers these devices in different grades of ECOPACK<sup>®</sup> packages, depending on their level of environmental compliance. ECOPACK<sup>®</sup> specifications, grade definitions and product status are available at: [www.st.com](http://www.st.com). ECOPACK<sup>®</sup> is an ST trademark.

### 6.1 VFQFPN36 package information

This VFQFPN is a 36-pin, 6x6 mm, 0.5 mm pitch, very thin profile fine pitch quad flat package.

Figure 41. VFQFPN36 outline



1. Drawing is not to scale.

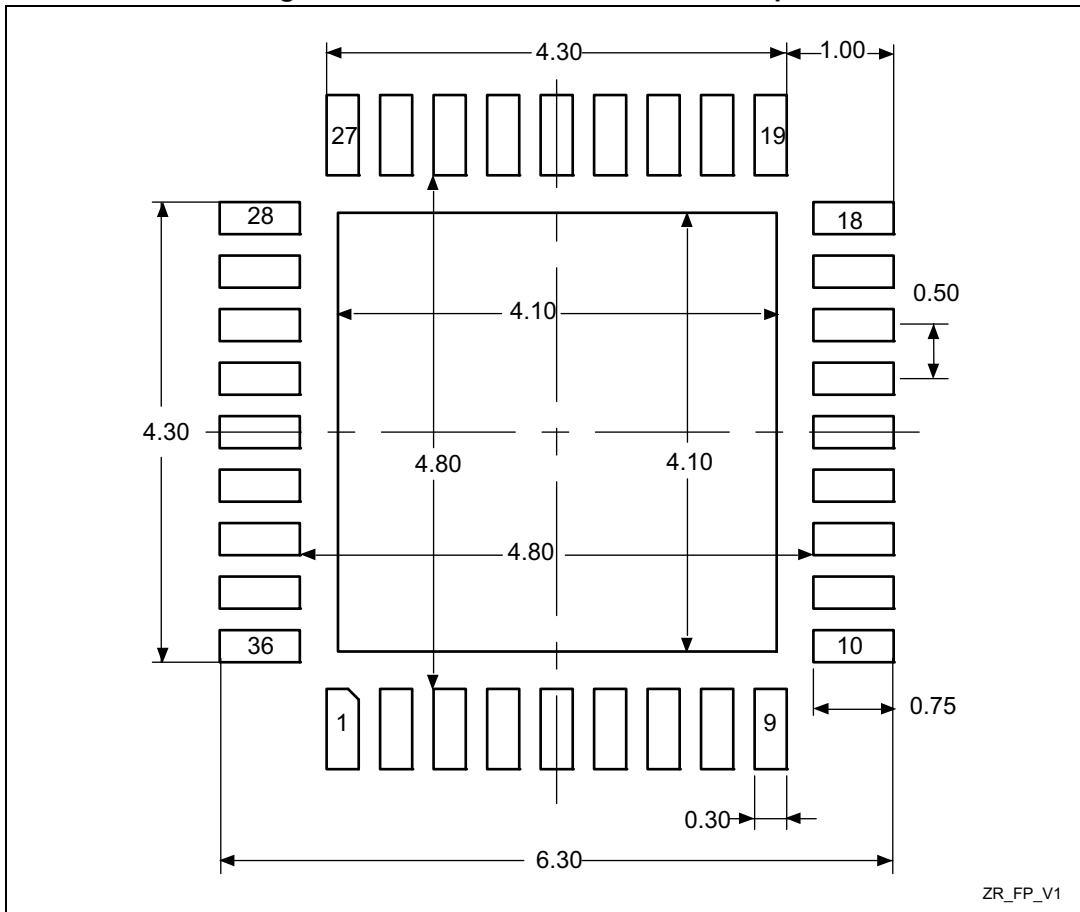
Table 51. VFQFPN36 mechanical data

Symbol	millimeters			inches <sup>(1)</sup>		
	Min	Typ	Max	Min	Typ	Max
A	0.800	0.900	1.000	0.0315	0.0354	0.0394
A1	-	0.020	0.050	-	0.0008	0.0020
A2	-	0.650	1.000	-	0.0256	0.0394
A3	-	0.250	-	-	0.0098	-
b	0.180	0.230	0.300	0.0071	0.0091	0.0118
D	5.875	6.000	6.125	0.2313	0.2362	0.2411
D2	1.750	3.700	4.250	0.0689	0.1457	0.1673
E	5.875	6.000	6.125	0.2313	0.2362	0.2411
E2	1.750	3.700	4.250	0.0689	0.1457	0.1673
e	0.450	0.500	0.550	0.0177	0.0197	0.0217
L	0.350	0.550	0.750	0.0138	0.0217	0.0295
K	0.250	-	-	0.0098	-	-
ddd	-	-	0.080	-	-	0.0031

1. Values in inches are converted from mm and rounded to four decimal digits.



Figure 42. VFQFPN36 recommended footprint

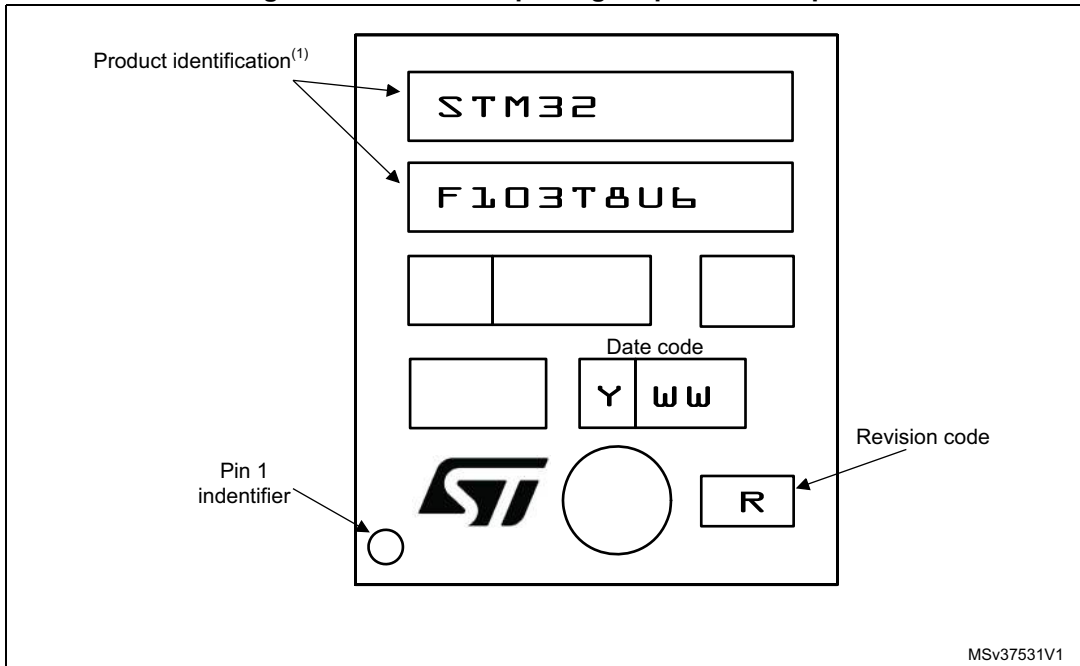


**Marking of engineering samples**

Figure 43 gives an example of topside marking orientation versus pin 1 identifier location. The printed markings may differ depending on the supply chain.

Other optional marking or inset/upset marks, which identify the parts throughout supply chain operations, are not indicated below.

**Figure 43. VFPPN36 package top view example**

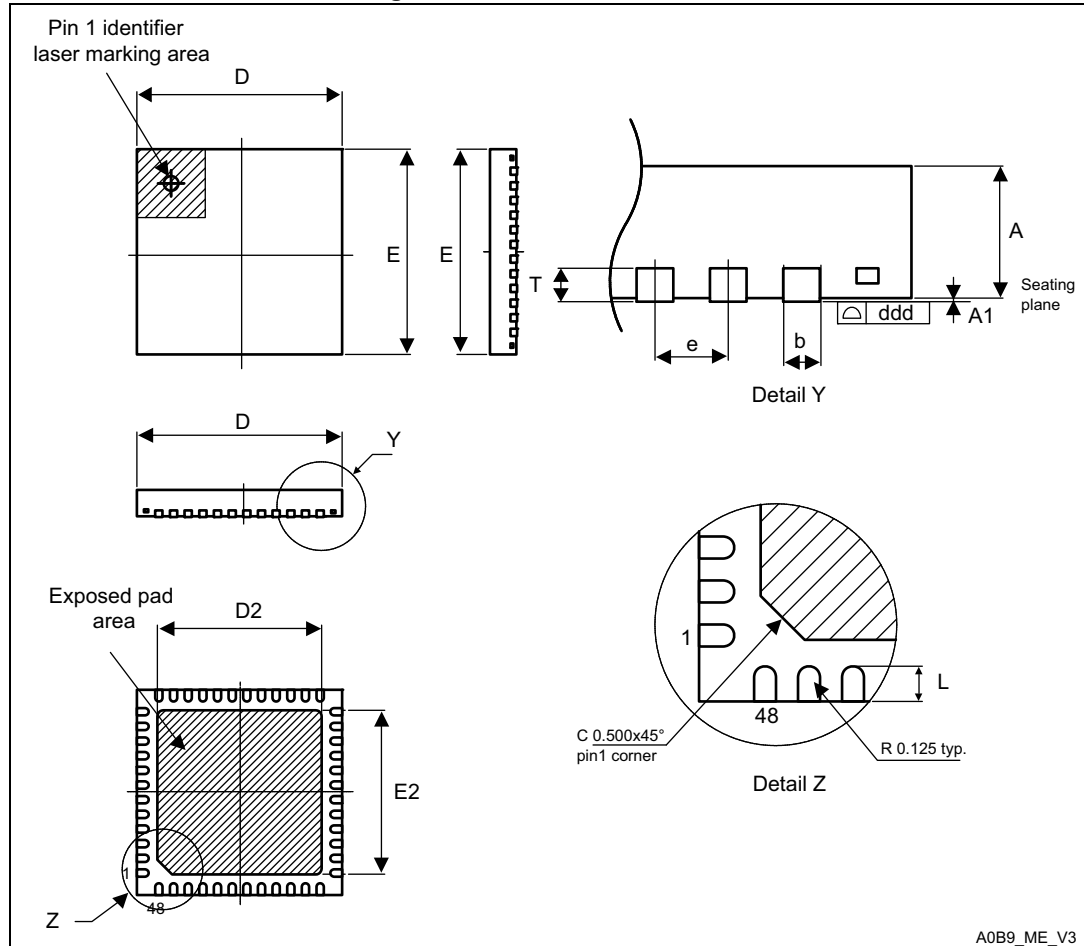


1. Parts marked as “ES”, “E” or accompanied by an Engineering Sample notification letter, are not yet qualified and therefore not yet ready to be used in production and any consequences deriving from such usage will not be at ST charge. In no event, ST will be liable for any customer usage of these engineering samples in production. ST Quality has to be contacted prior to any decision to use these Engineering samples to run qualification activity.

## 6.2 UFQFPN48 package information

This UFQFPN is a 48-lead, 7x7 mm, 0.5 mm pitch, ultra thin fine pitch quad flat package.

Figure 44. UFQFPN48 outline



1. Drawing is not to scale.
2. There is an exposed die pad on the underside of the QFPN package, this pad is not internally connected to the VSS or VDD power pads. It is recommended to connect it to VSS.
3. All leads/pads should also be soldered to the PCB to improve the lead solder joint life.

Table 52. UFQFPN48 mechanical data

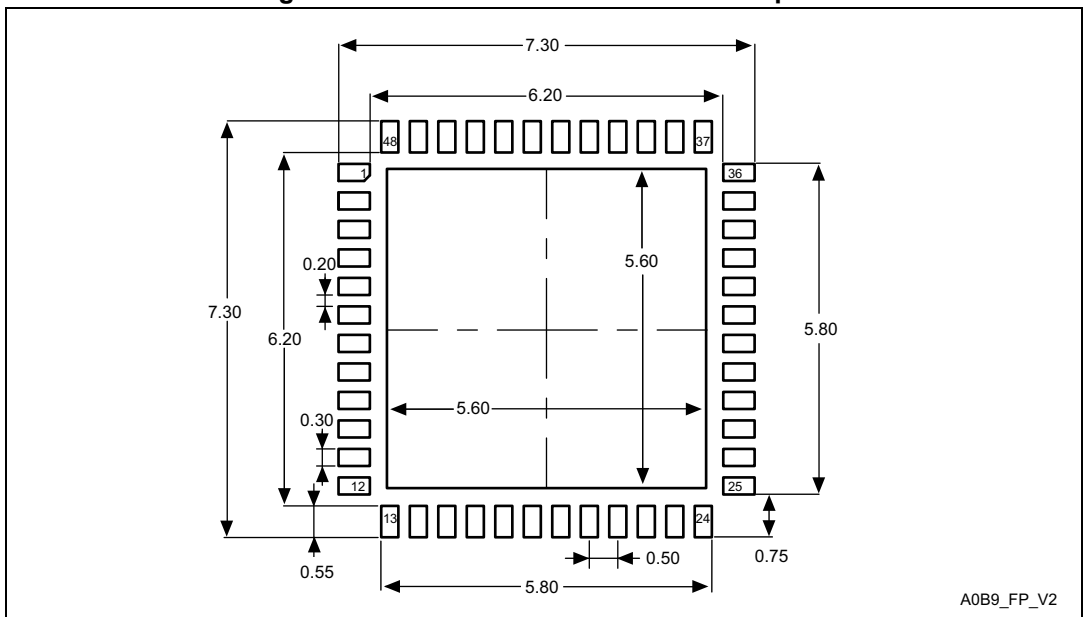
Symbol	millimeters			inches <sup>(1)</sup>		
	Min	Typ	Max	Min	Typ	Max
A	0.500	0.550	0.600	0.0197	0.0217	0.0236
A1	0.000	0.020	0.050	0.0000	0.0008	0.0020
D	6.900	7.000	7.100	0.2717	0.2756	0.2795
E	6.900	7.000	7.100	0.2717	0.2756	0.2795
D2	5.500	5.600	5.700	0.2165	0.2205	0.2244
E2	5.500	5.600	5.700	0.2165	0.2205	0.2244

Table 52. UFQFPN48 mechanical data (continued)

Symbol	millimeters			inches <sup>(1)</sup>		
	Min	Typ	Max	Min	Typ	Max
L	0.300	0.400	0.500	0.0118	0.0157	0.0197
T	-	0.152	-	-	0.0060	-
b	0.200	0.250	0.300	0.0079	0.0098	0.0118
e	-	0.500	-	-	0.0197	-
ddd	-	-	0.080	-	-	0.0031

1. Values in inches are converted from mm and rounded to four decimal digits.

Figure 45. UFQFPN48 recommended footprint



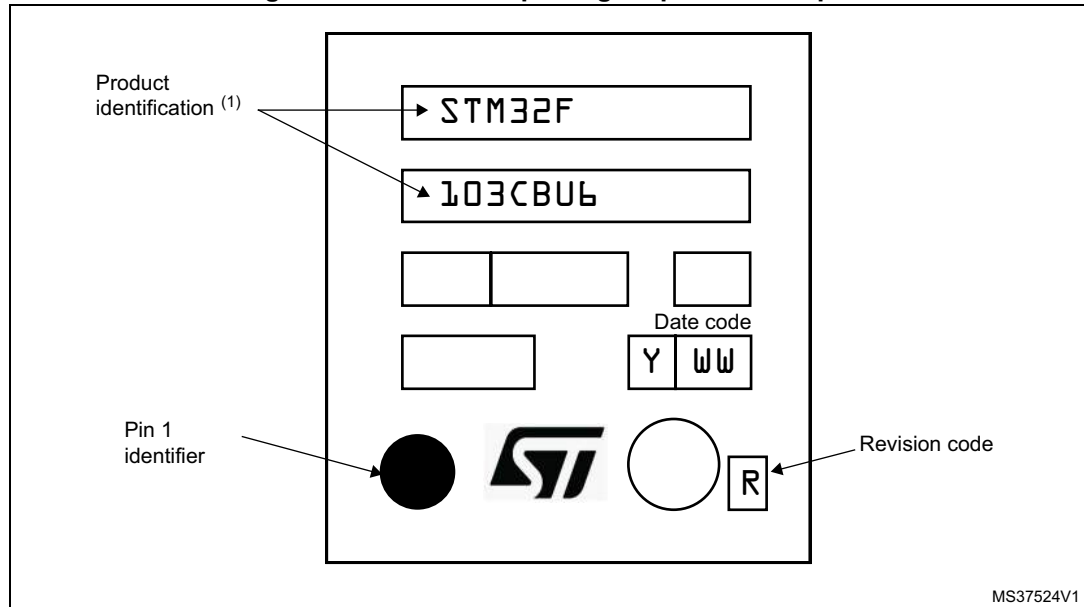
1. Dimensions are expressed in millimeters.

### Marking of engineering samples

Figure 46 gives an example of topside marking orientation versus pin 1 identifier location. The printed markings may differ depending on the supply chain.

Other optional marking or inset/upset marks, which identify the parts throughout supply chain operations, are not indicated below.

Figure 46. UFQFPN48 package top view example

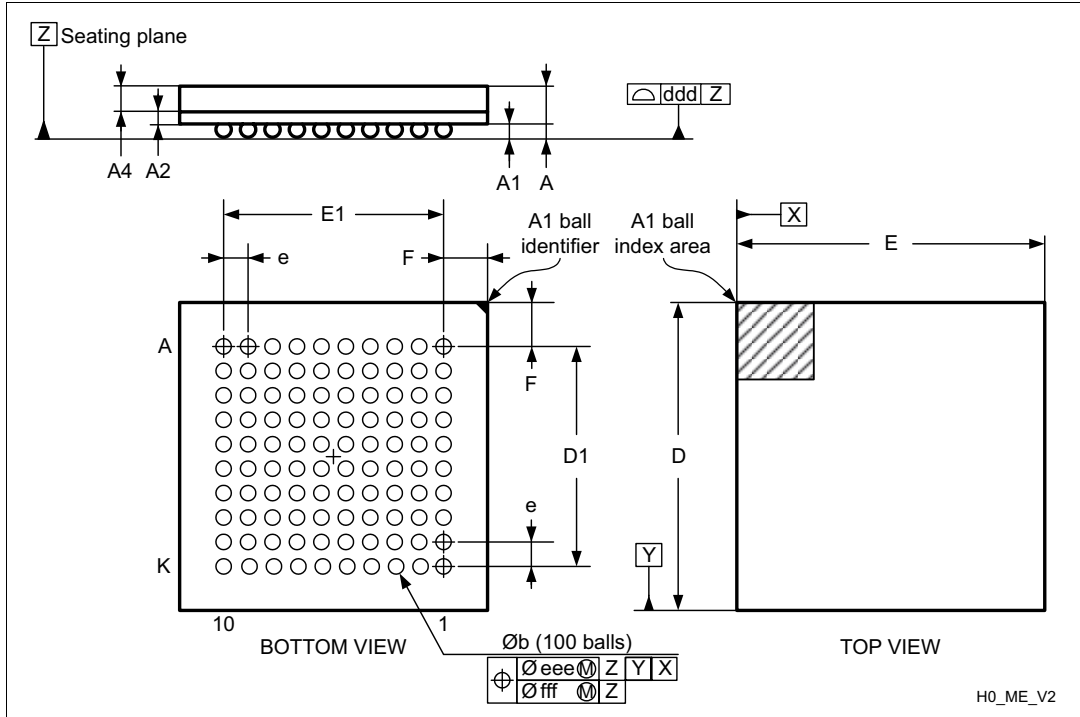


1. Parts marked as “ES”, “E” or accompanied by an Engineering Sample notification letter, are not yet qualified and therefore not yet ready to be used in production and any consequences deriving from such usage will not be at ST charge. In no event, ST will be liable for any customer usage of these engineering samples in production. ST Quality has to be contacted prior to any decision to use these Engineering samples to run qualification activity.

### 6.3 LFBGA100 package information

This LFBGA is a 100-ball, 10x10 mm, low-profile fine pitch ball grid array, 0.8 mm pitch

Figure 47. LFBGA100 outline



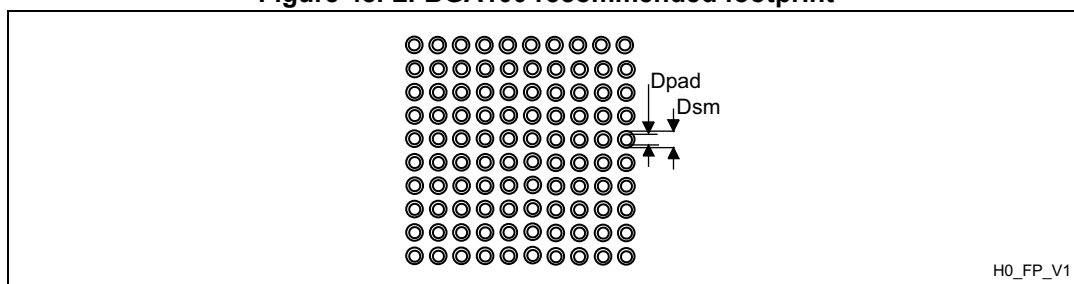
1. Drawing is not to scale.

Table 53. LFBGA100 mechanical data

Symbol	millimeters			inches <sup>(1)</sup>		
	Min	Typ	Max	Min	Typ	Max
A	-	-	1.700	-	-	0.0669
A1	0.270	-	-	0.0106	-	-
A2	-	0.300	-	-	0.0118	-
A4	-	-	0.800	-	-	0.0315
b	0.450	0.500	0.550	0.0177	0.0197	0.0217
D	9.850	10.000	10.150	0.3878	0.3937	0.3996
D1	-	7.200	-	-	0.2835	-
E	9.850	10.000	10.150	0.3878	0.3937	0.3996
E1	-	7.200	-	-	0.2835	-
e	-	0.800	-	-	0.0315	-
F	-	1.400	-	-	0.0551	-
ddd	-	-	0.120	-	-	0.0047
eee	-	-	0.150	-	-	0.0059
fff	-	-	0.080	-	-	0.0031

1. Values in inches are converted from mm and rounded to four decimal digits.

**Figure 48. LFBGA100 recommended footprint**



**Table 54. LFBGA100 recommended PCB design rules (0.8 mm pitch BGA)**

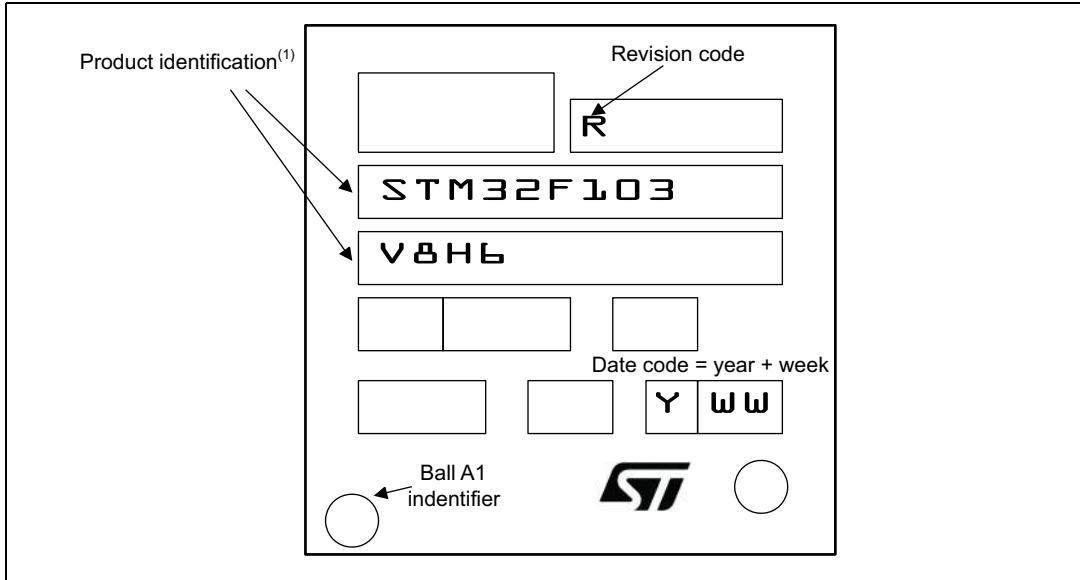
Dimension	Recommended values
Pitch	0.8
Dpad	0.500 mm
Dsm	0.570 mm typ. (depends on the soldermask registration tolerance)
Stencil opening	0.500 mm
Stencil thickness	Between 0.100 mm and 0.125 mm
Pad trace width	0.120 mm

**Marking of engineering samples**

Figure 49 gives an example of topside marking orientation versus pin 1 identifier location. The printed markings may differ depending on the supply chain.

Other optional marking or inset/upset marks, which identify the parts throughout supply chain operations, are not indicated below.

**Figure 49. LFBGA100 package top view example**



1. Parts marked as “ES”, “E” or accompanied by an Engineering Sample notification letter, are not yet qualified and therefore not yet ready to be used in production and any consequences deriving from such usage will not be at ST charge. In no event, ST will be liable for any customer usage of these engineering samples in production. ST Quality has to be contacted prior to any decision to use these Engineering samples to run qualification activity.



### 6.4 LQFP100 package information

This LQFP is a 100-pin, 14x14 mm, low-profile quad flat package.

Figure 50. LQFP100 outline

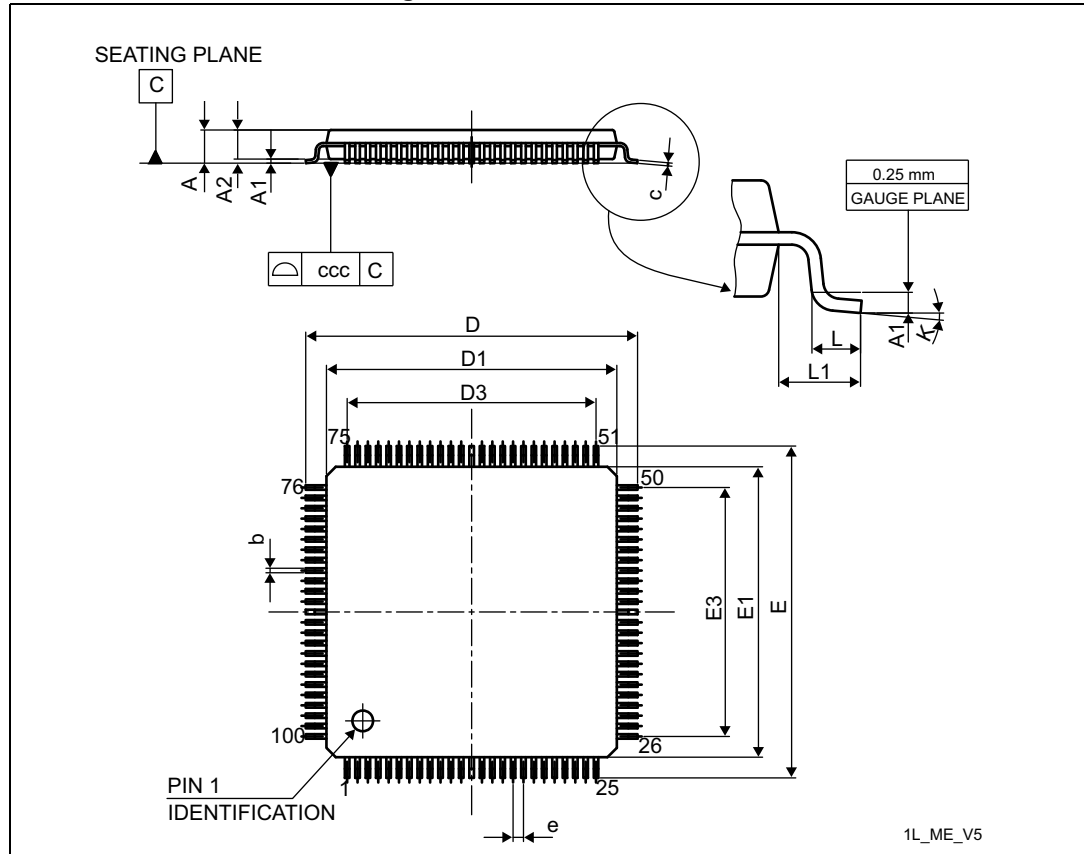


Table 55. LQFP100 mechanical data

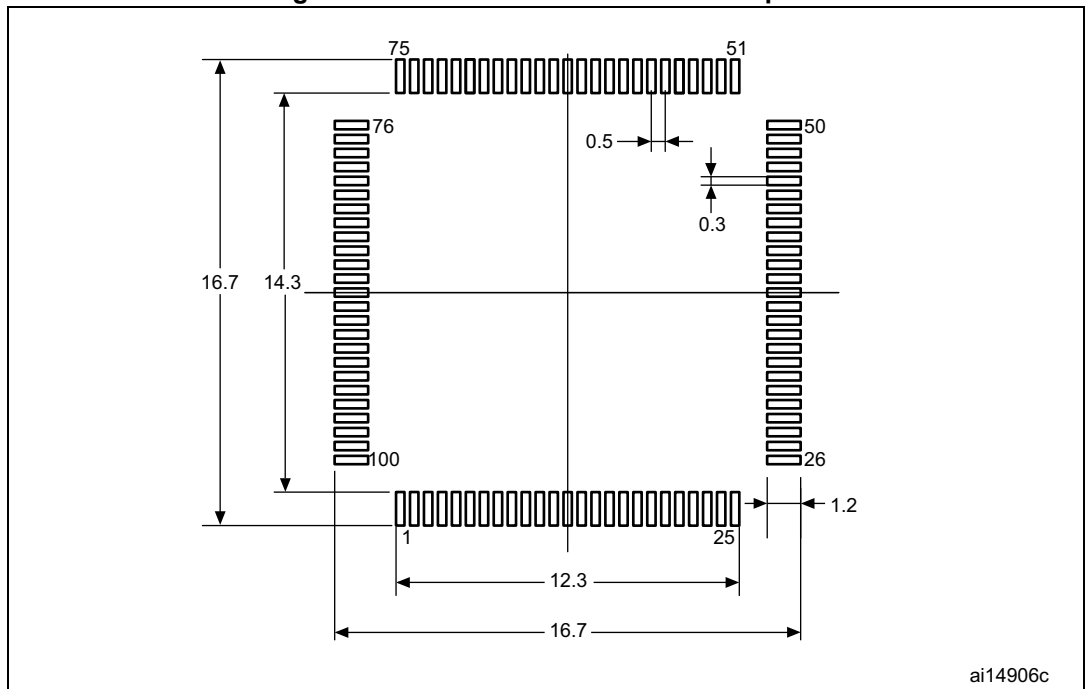
Symbol	millimeters			inches <sup>(1)</sup>		
	Min	Typ	Max	Min	Typ	Max
A	-	-	1.600	-	-	0.0630
A1	0.050	-	0.150	0.0020	-	0.0059
A2	1.350	1.400	1.450	0.0531	0.0551	0.0571
b	0.170	0.220	0.270	0.0067	0.0087	0.0106
c	0.090	-	0.2	0.0035	-	0.0079
D	15.800	16.000	16.200	0.6220	0.6299	0.6378
D1	13.800	14.000	14.200	0.5433	0.5512	0.5591
D3	-	12.000	-	-	0.4724	-
E	15.800	16.00	16.200	0.6220	0.6299	0.6378
E1	13.800	14.000	14.200	0.5433	0.5512	0.5591
E3	-	12.000	-	-	0.4724	-

Table 55. LQFP100 mechanical data (continued)

Symbol	millimeters			inches <sup>(1)</sup>		
	Min	Typ	Max	Min	Typ	Max
e	-	0.500	-	-	0.0197	-
L	0.450	0.600	0.750	0.0177	0.0236	0.0295
L1	-	1.000	-	-	0.0394	-
k	0.0°	3.5°	7.0°	0.0°	3.5°	7.0°
ccc	-8	-	0.080	-	-	0.0031

1. Values in inches are converted from mm and rounded to four decimal digits..

Figure 51. LQFP100 recommended footprint



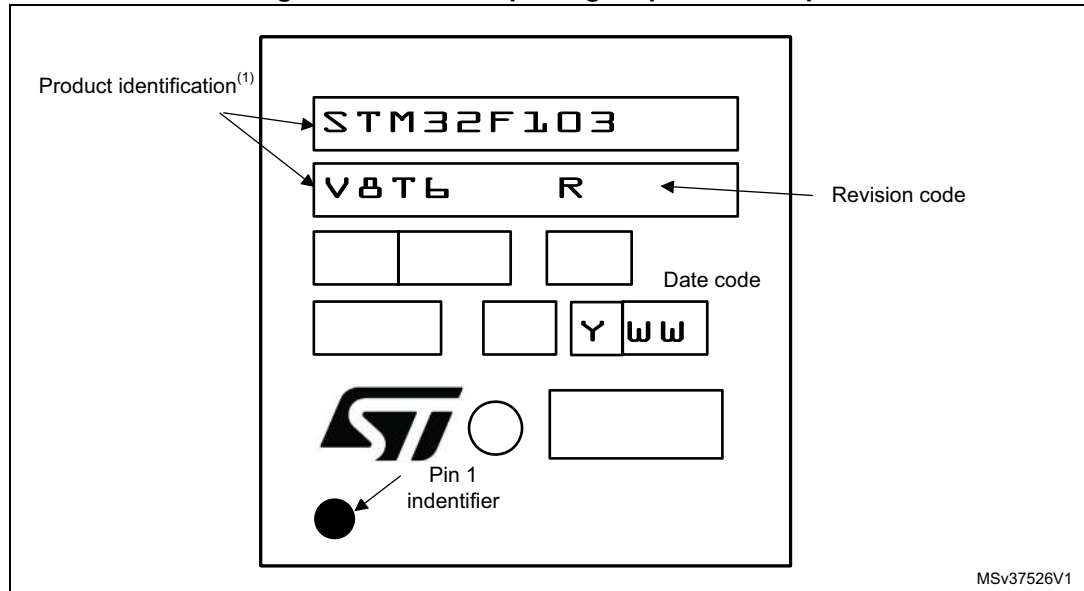
1. Dimensions are expressed in millimeters.

**Marking of engineering samples**

Figure 52 gives an example of topside marking orientation versus pin 1 identifier location. The printed markings may differ depending on the supply chain.

Other optional marking or inset/upset marks, which identify the parts throughout supply chain operations, are not indicated below.

**Figure 52. LQFP100 package top view example**

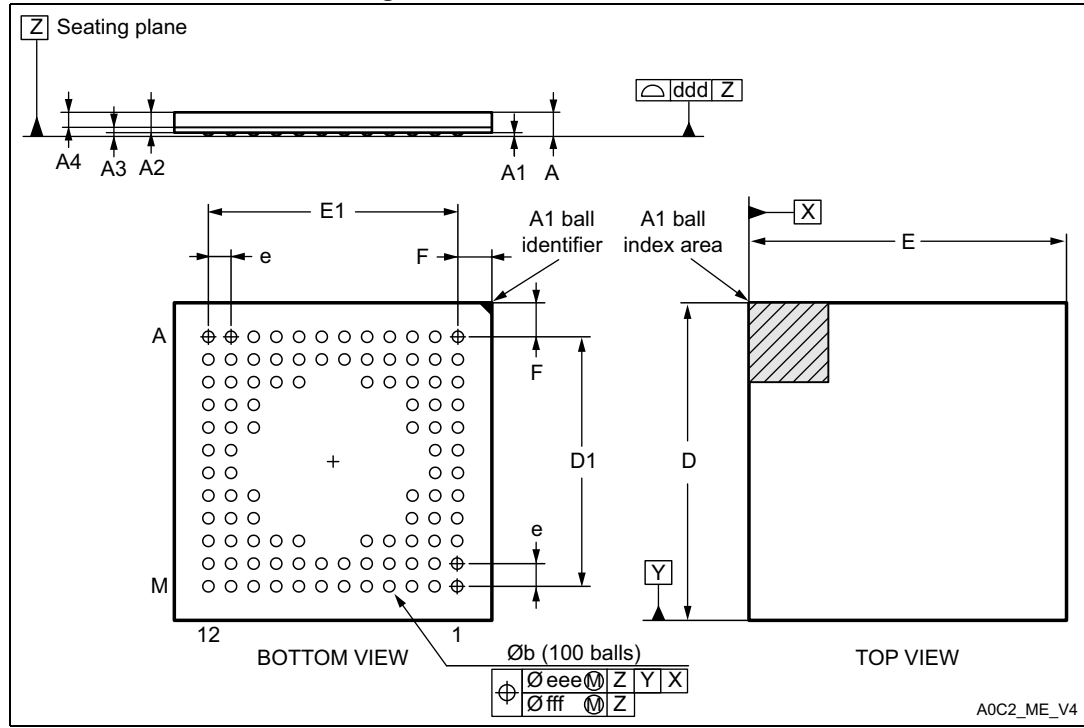


1. Parts marked as “ES”, “E” or accompanied by an Engineering Sample notification letter, are not yet qualified and therefore not yet ready to be used in production and any consequences deriving from such usage will not be at ST charge. In no event, ST will be liable for any customer usage of these engineering samples in production. ST Quality has to be contacted prior to any decision to use these Engineering samples to run qualification activity.

### 6.5 UFBGA100 package information

This UFBGA is a 100-ball, 7x7 mm, 0.50 mm pitch, ultra fine pitch ball grid array package.

Figure 53. UFBGA100 - outline



1. Drawing is not to scale.

Table 56. UFBGA100 mechanical data

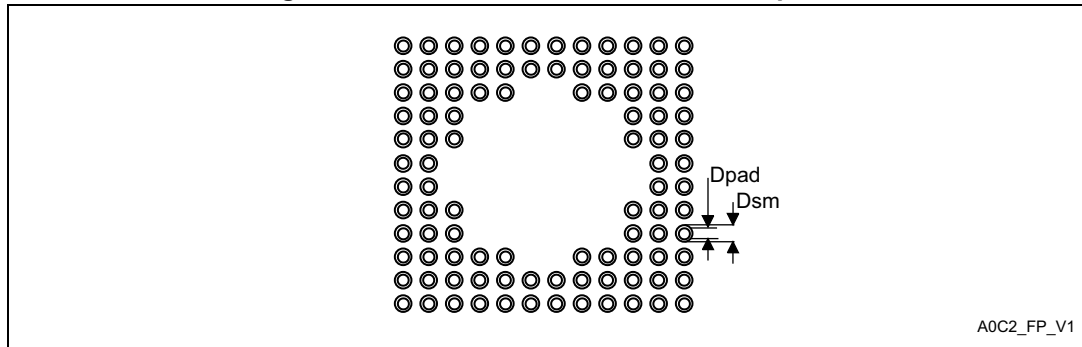
Symbol	millimeters			inches <sup>(1)</sup>		
	Min	Typ	Max	Min	Typ	Max
A	0.460	0.530	0.600	0.0181	0.0209	0.0236
A1	0.050	0.080	0.110	0.0020	0.0031	0.0043
A2	0.400	0.450	0.500	0.0157	0.0177	0.0197
A3	0.080	0.130	0.180	0.0031	0.0051	0.0071
A4	0.270	0.320	0.370	0.0106	0.0126	0.0146
b	0.200	0.250	0.300	0.0079	0.0098	0.0118
D	6.950	7.000	7.050	0.2736	0.2756	0.2776
D1	5.450	5.500	5.550	0.2146	0.2165	0.2185
E	6.950	7.000	7.050	0.2736	0.2756	0.2776
E1	5.450	5.500	5.550	0.2146	0.2165	0.2185
e	-	0.500	-	-	0.0197	-
F	0.700	0.750	0.800	0.0276	0.0295	0.0315
ddd	-	-	0.100	-	-	0.0039

**Table 56. UFBGA100 mechanical data (continued)**

Symbol	millimeters			inches <sup>(1)</sup>		
	Min	Typ	Max	Min	Typ	Max
eee	-	-	0.150	-	-	0.0059
fff	-	--	0.050	-	-	0.0020

1. Values in inches are converted from mm and rounded to four decimal digits.

**Figure 54. UFBGA100 recommended footprint**



**Table 57. UFBGA100 recommended PCB design rules (0.5 mm pitch BGA)**

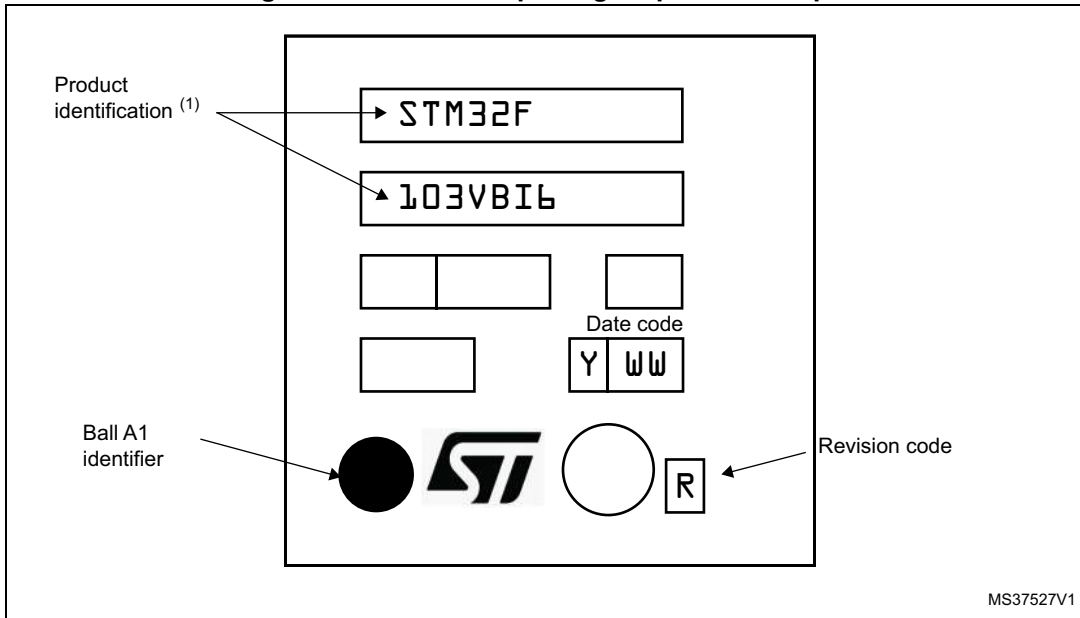
Dimension	Recommended values
Pitch	0.5
Dpad	0.280 mm
Dsm	0.370 mm typ. (depends on the soldermask registration tolerance)
Stencil opening	0.280 mm
Stencil thickness	Between 0.100 mm and 0.125 mm

### Marking of engineering samples

Figure 46 gives an example of topside marking orientation versus pin 1 identifier location. The printed markings may differ depending on the supply chain.

Other optional marking or inset/upset marks, which identify the parts throughout supply chain operations, are not indicated below.

Figure 55. UFBGA100 package top view example

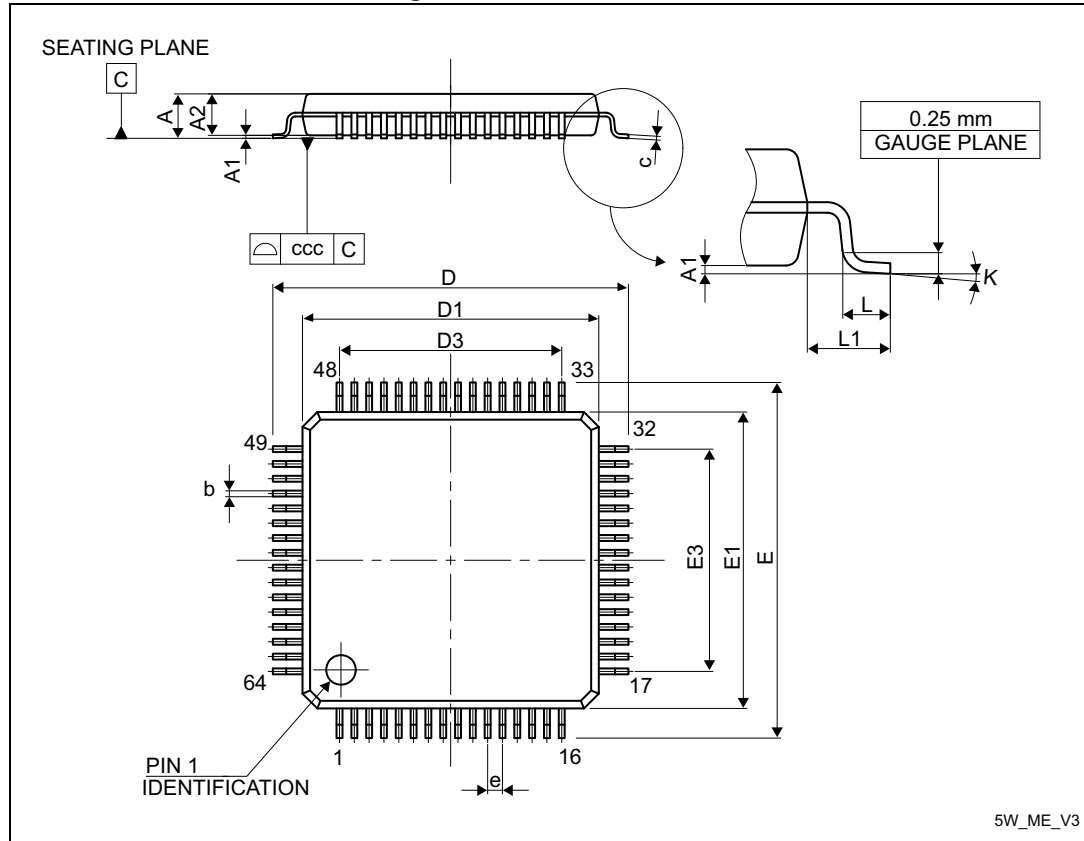


1. Parts marked as “ES”, “E” or accompanied by an Engineering Sample notification letter, are not yet qualified and therefore not yet ready to be used in production and any consequences deriving from such usage will not be at ST charge. In no event, ST will be liable for any customer usage of these engineering samples in production. ST Quality has to be contacted prior to any decision to use these Engineering samples to run qualification activity.

### 6.6 LQFP64 package information

This LQFP is a 64-pin, 10x10 mm low-profile quad flat package.

Figure 56. LQFP64 outline



1. Drawing is not to scale.

Table 58. LQFP64 mechanical data

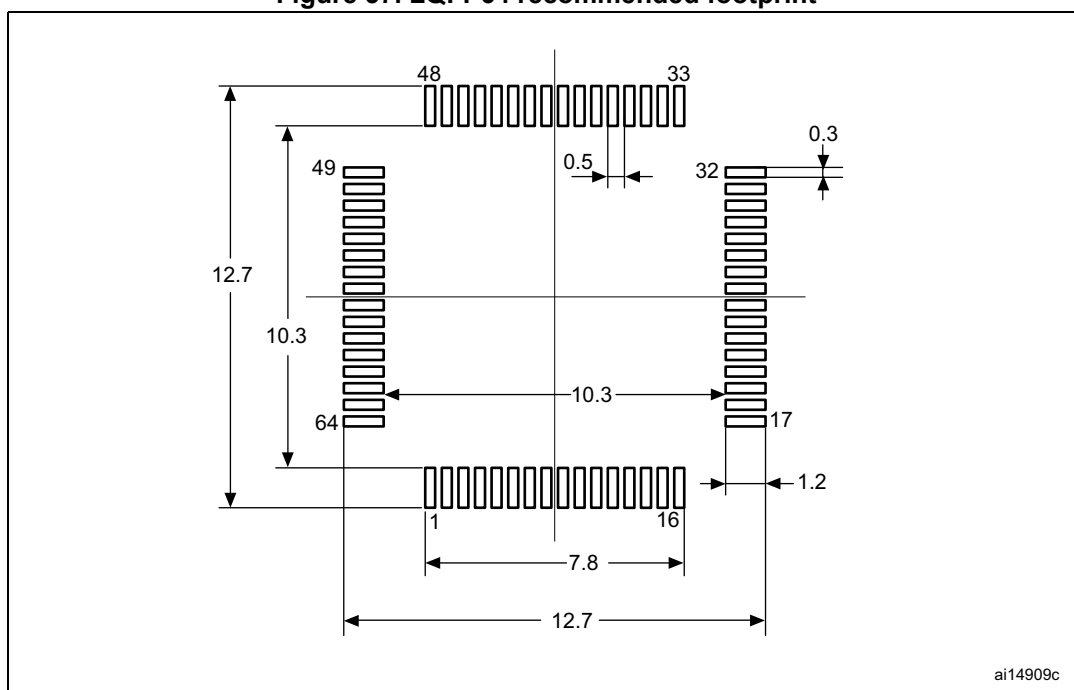
Symbol	millimeters			inches <sup>(1)</sup>		
	Min	Typ	Max	Min	Typ	Max
A	-	-	1.600	-	-	0.0630
A1	0.050	-	0.150	0.0020	-	0.0059
A2	1.350	1.400	1.450	0.0531	0.0551	0.0571
b	0.170	0.220	0.270	0.0067	0.0087	0.0106
c	0.090	-	0.200	0.0035	-	0.0079
D	-	12.000	-	-	0.4724	-
D1	-	10.000	-	-	0.3937	-
D3	-	7.500	-	-	0.2953	-
E	-	12.000	-	-	0.4724	-
E1	-	10.000	-	-	0.3937	-

Table 58. LQFP64 mechanical data (continued)

Symbol	millimeters			inches <sup>(1)</sup>		
	Min	Typ	Max	Min	Typ	Max
E3	-	7.500	-	-	0.2953	-
e	-	0.500	-	-	0.0197	-
K	0°	3.5°	7°	0°	3.5°	7°
L	0.450	0.600	0.750	0.0177	0.0236	0.0295
L1	-	1.000	-	-	0.0394	-
ccc	-	-	0.080	-	-	0.0031

1. Values in inches are converted from mm and rounded to four decimal digits.

Figure 57. LQFP64 recommended footprint



1. Dimensions are expressed in millimeters.

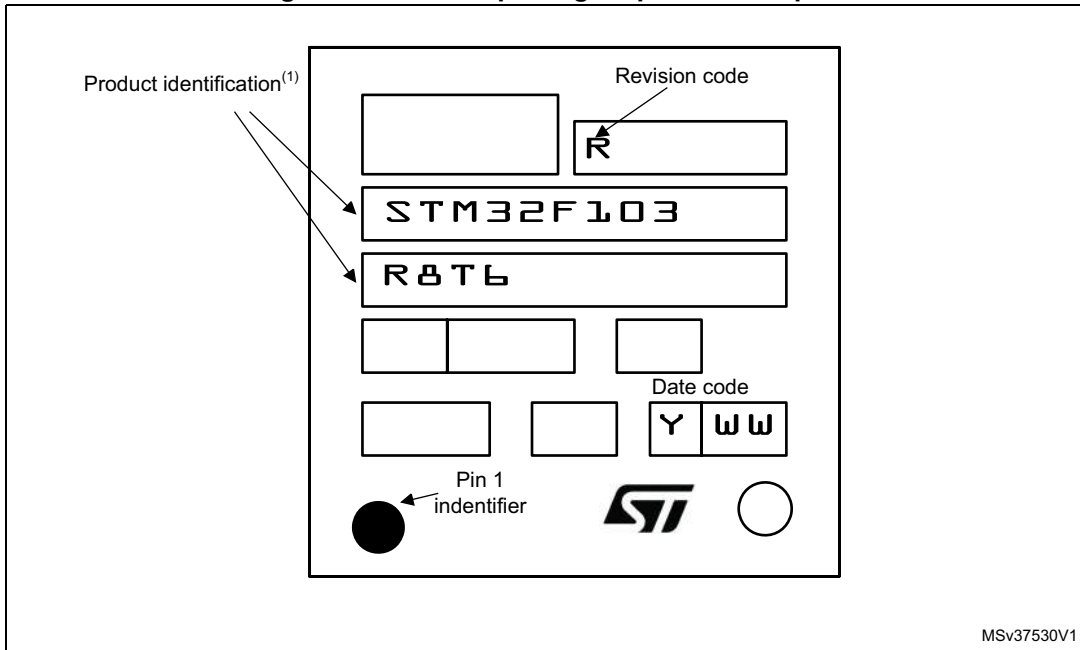


**Marking of engineering samples**

Figure 58 gives an example of topside marking orientation versus pin 1 identifier location. The printed markings may differ depending on the supply chain.

Other optional marking or inset/upset marks, which identify the parts throughout supply chain operations, are not indicated below.

**Figure 58. LQFP64 package top view example**

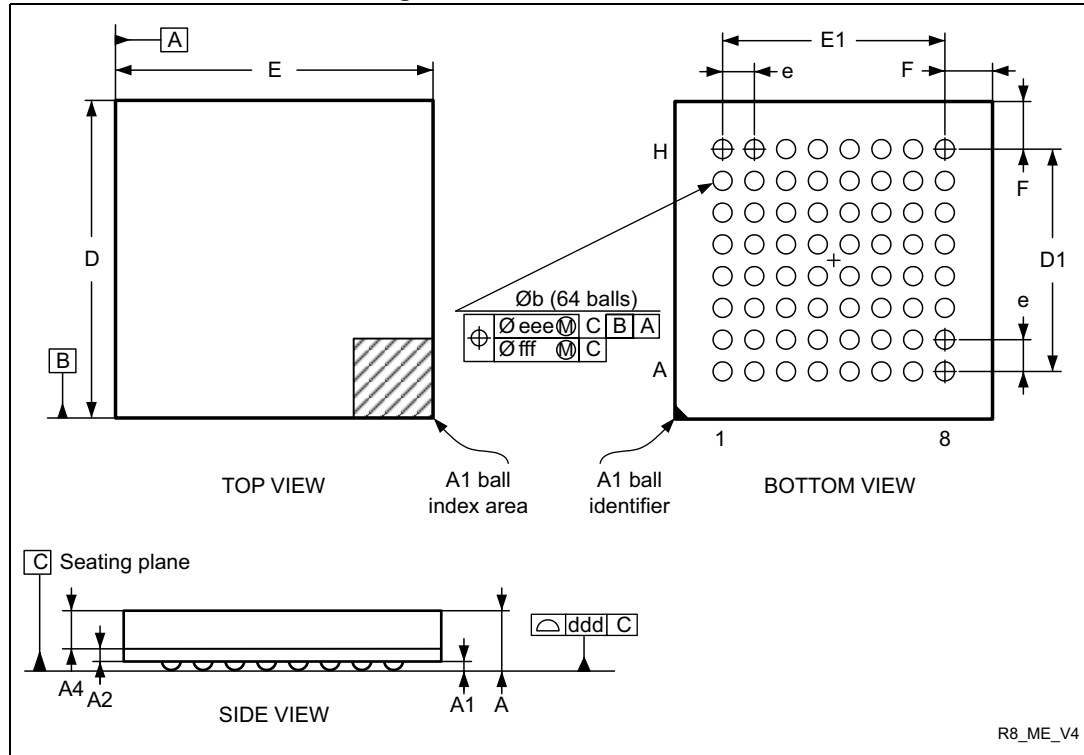


1. Parts marked as “ES”, “E” or accompanied by an Engineering Sample notification letter, are not yet qualified and therefore not yet ready to be used in production and any consequences deriving from such usage will not be at ST charge. In no event, ST will be liable for any customer usage of these engineering samples in production. ST Quality has to be contacted prior to any decision to use these Engineering samples to run qualification activity.

### 6.7 TFBGA64 package information

This TFBGA is a 64-ball, 5x5 mm, 0.5 mm pitch thin profile fine pitch ball grid array package.

Figure 59. TFBGA64 outline



1. Drawing is not to scale.

Table 59. TFBGA64 mechanical data

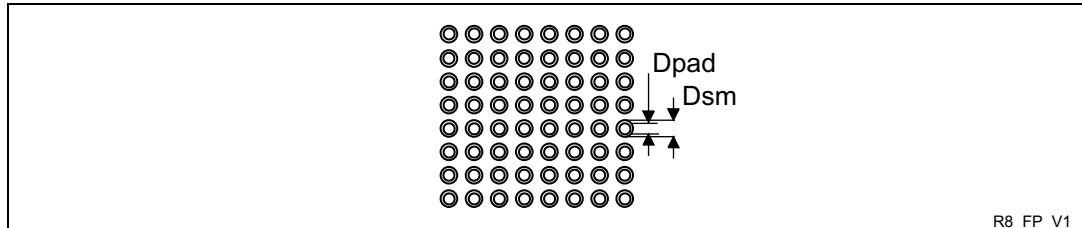
Symbol	millimeters			inches <sup>(1)</sup>		
	Min	Typ	Max	Min	Typ	Max
A	-	-	1.200	-	-	0.0472
A1	0.150	-	-	0.0059	-	-
A2	-	0.200	-	-	0.0079	-
A4	-	-	0.600	-	-	0.0236
b	0.250	0.300	0.350	0.0098	0.0118	0.0138
D	4.850	5.000	5.150	0.1909	0.1969	0.2028
D1	-	3.500	-	-	0.1378	-
E	4.850	5.000	5.150	0.1909	0.1969	0.2028
E1	-	3.500	-	-	0.1378	-
e	-	0.500	-	-	0.0197	-
F	-	0.750	-	-	0.0295	-
ddd	-	-	0.080	-	-	0.0031

**Table 59. TFBGA64 mechanical data (continued)**

Symbol	millimeters			inches <sup>(1)</sup>		
	Min	Typ	Max	Min	Typ	Max
eee	-	-	0.150	-	-	0.0059
fff	-	-	0.050	-	-	0.0020

1. Values in inches are converted from mm and rounded to four decimal digits.

**Figure 60. TFBGA64 recommended footprint**



R8\_FP\_V1

**Table 60. TFBGA64 recommended PCB design rules (0.5 mm pitch BGA)**

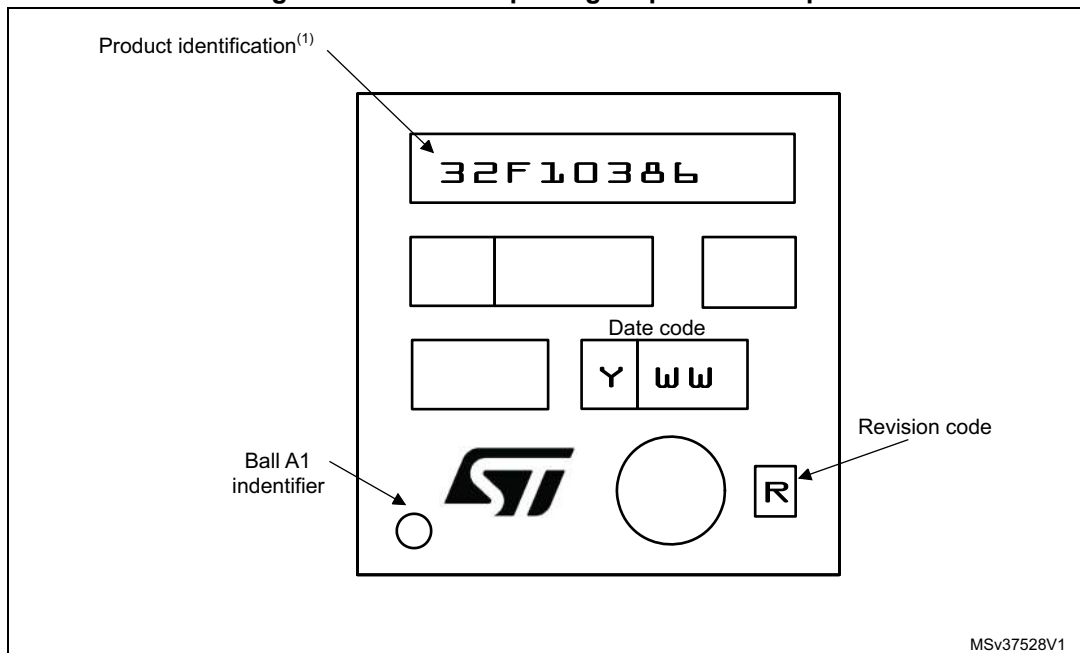
Dimension	Recommended values
Pitch	0.5
Dpad	0.280 mm
Dsm	0.370 mm typ. (depends on the soldermask registration tolerance)
Stencil opening	0.280 mm
Stencil thickness	Between 0.100 mm and 1.125 mm
Pad trace width	0.100 mm

**Marking of engineering samples**

Figure 61 gives an example of topside marking orientation versus pin 1 identifier location. The printed markings may differ depending on the supply chain.

Other optional marking or inset/upset marks, which identify the parts throughout supply chain operations, are not indicated below.

**Figure 61. TFBGA64 package top view example**

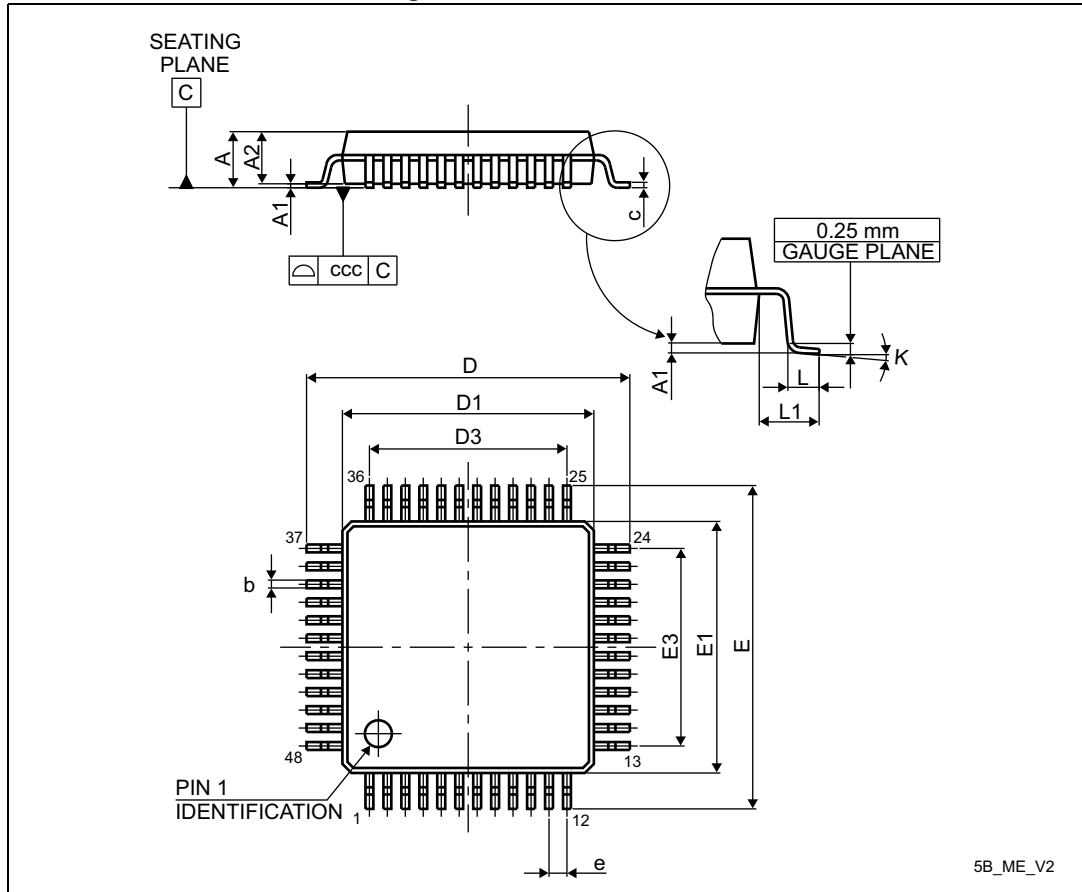


1. Parts marked as "ES", "E" or accompanied by an Engineering Sample notification letter, are not yet qualified and therefore not yet ready to be used in production and any consequences deriving from such usage will not be at ST charge. In no event, ST will be liable for any customer usage of these engineering samples in production. ST Quality has to be contacted prior to any decision to use these Engineering samples to run qualification activity.

### 6.8 LQFP48 package information

This LQFP is a 48-pin, 7x7 mm low-profile quad flat package.

Figure 62. LQFP48 outline



1. Drawing is not to scale.

Table 61. LQFP48 mechanical data

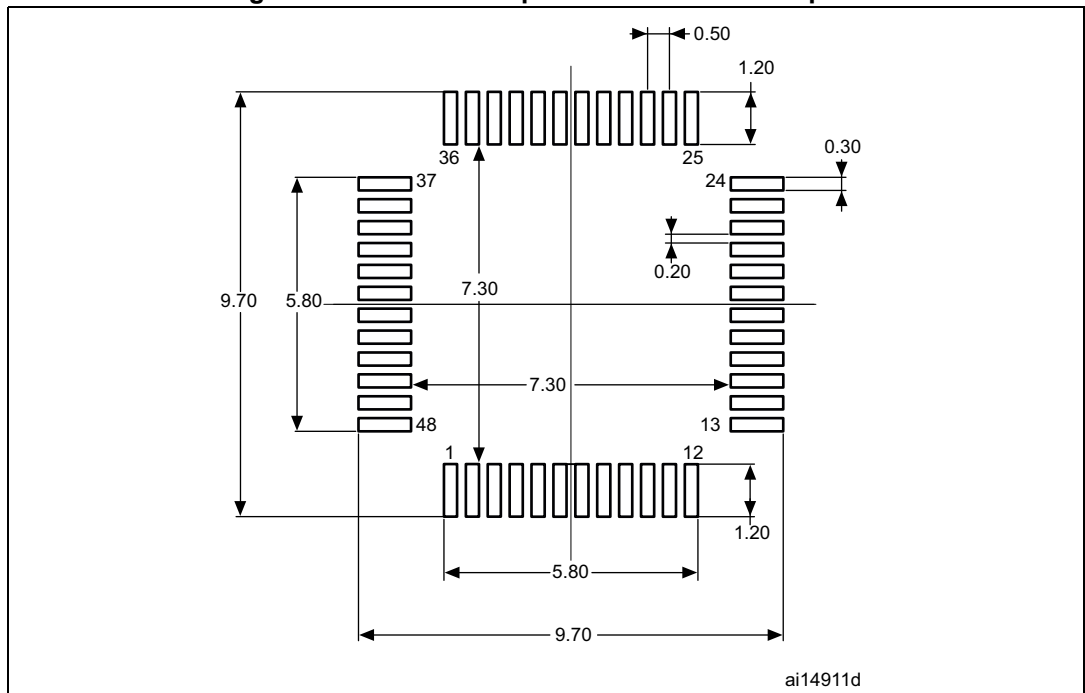
Symbol	millimeters			inches <sup>(1)</sup>		
	Min	Typ	Max	Min	Typ	Max
A	-	-	1.600	-	-	0.0630
A1	0.050	-	0.150	0.0020	-	0.0059
A2	1.350	1.400	1.450	0.0531	0.0551	0.0571
b	0.170	0.220	0.270	0.0067	0.0087	0.0106
c	0.090	-	0.200	0.0035	-	0.0079
D	8.800	9.000	9.200	0.3465	0.3543	0.3622
D1	6.800	7.000	7.200	0.2677	0.2756	0.2835
D3	-	5.500	-	-	0.2165	-
E	8.800	9.000	9.200	0.3465	0.3543	0.3622

Table 61. LQFP48 mechanical data (continued)

Symbol	millimeters			inches <sup>(1)</sup>		
	Min	Typ	Max	Min	Typ	Max
E1	6.800	7.000	7.200	0.2677	0.2756	0.2835
E3	-	5.500	-	-	0.2165	-
e	-	0.500	-	-	0.0197	-
L	0.450	0.600	0.750	0.0177	0.0236	0.0295
L1	-	1.000	-	-	0.0394	-
k	0°	3.5°	7°	0°	3.5°	7°
ccc	-	-	0.080	-	-	0.0031

1. Values in inches are converted from mm and rounded to four decimal digits.

Figure 63. LQFP48 - 48-pin recommended footprint



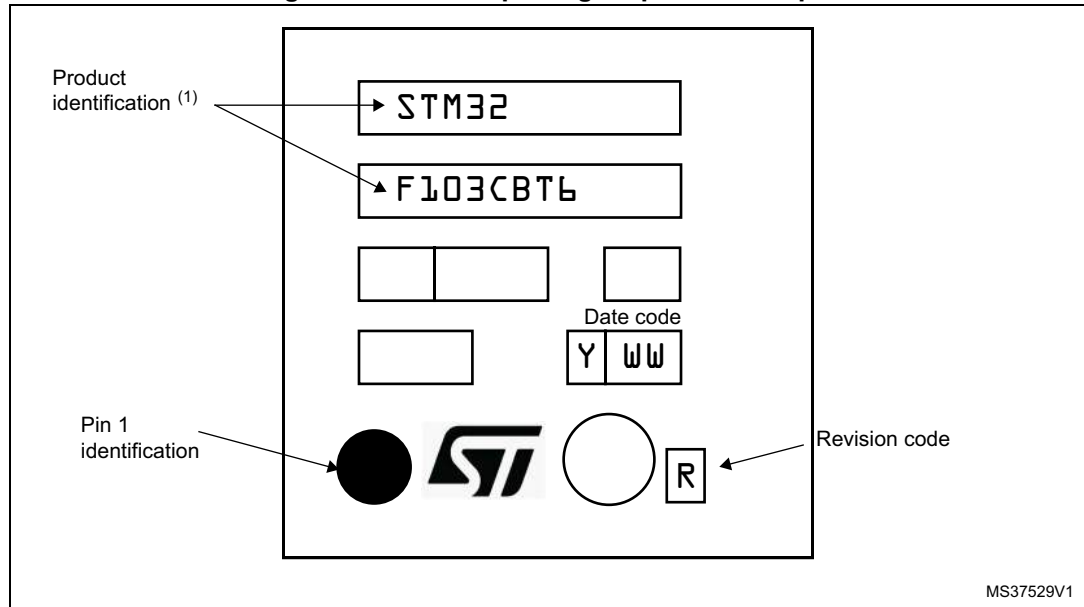
1. Dimensions are expressed in millimeters.

**Marking of engineering samples**

Figure 64 gives an example of topside marking orientation versus pin 1 identifier location. The printed markings may differ depending on the supply chain.

Other optional marking or inset/upset marks, which identify the parts throughout supply chain operations, are not indicated below.

**Figure 64. LQFP48 package top view example**



1. Parts marked as “ES”, “E” or accompanied by an Engineering Sample notification letter, are not yet qualified and therefore not yet ready to be used in production and any consequences deriving from such usage will not be at ST charge. In no event, ST will be liable for any customer usage of these engineering samples in production. ST Quality has to be contacted prior to any decision to use these Engineering samples to run qualification activity.

## 6.9 Thermal characteristics

The maximum chip junction temperature ( $T_{Jmax}$ ) must never exceed the values given in [Table 9: General operating conditions](#).

The maximum chip-junction temperature,  $T_J$  max, in degrees Celsius, may be calculated using the following equation:

$$T_J \text{ max} = T_A \text{ max} + (P_D \text{ max} \times \Theta_{JA})$$

where:

- $T_A$  max is the maximum ambient temperature in °C,
- $\Theta_{JA}$  is the package junction-to-ambient thermal resistance, in °C/W,
- $P_D$  max is the sum of  $P_{INT}$  max and  $P_{I/O}$  max ( $P_D$  max =  $P_{INT}$  max +  $P_{I/O}$ max),
- $P_{INT}$  max is the product of  $I_{DD}$  and  $V_{DD}$ , expressed in Watts. This is the maximum chip internal power.

$P_{I/O}$  max represents the maximum power dissipation on output pins where:

$$P_{I/O} \text{ max} = \Sigma (V_{OL} \times I_{OL}) + \Sigma((V_{DD} - V_{OH}) \times I_{OH}),$$

taking into account the actual  $V_{OL} / I_{OL}$  and  $V_{OH} / I_{OH}$  of the I/Os at low and high level in the application.

**Table 62. Package thermal characteristics**

Symbol	Parameter	Value	Unit
$\Theta_{JA}$	<b>Thermal resistance junction-ambient</b> LFBGA100 - 10 × 10 mm / 0.8 mm pitch	44	°C/W
	<b>Thermal resistance junction-ambient</b> LQFP100 - 14 × 14 mm / 0.5 mm pitch	46	
	<b>Thermal resistance junction-ambient</b> UFBGA100 - 7 × 7 mm / 0.5 mm pitch	59	
	<b>Thermal resistance junction-ambient</b> LQFP64 - 10 × 10 mm / 0.5 mm pitch	45	
	<b>Thermal resistance junction-ambient</b> TFBGA64 - 5 × 5 mm / 0.5 mm pitch	65	
	<b>Thermal resistance junction-ambient</b> LQFP48 - 7 × 7 mm / 0.5 mm pitch	55	
	<b>Thermal resistance junction-ambient</b> UFQFPN 48 - 7 × 7 mm / 0.5 mm pitch	32	
	<b>Thermal resistance junction-ambient</b> VFQFPN 36 - 6 × 6 mm / 0.5 mm pitch	18	

### 6.9.1 Reference document

JESD51-2 Integrated Circuits Thermal Test Method Environment Conditions - Natural Convection (Still Air). Available from [www.jedec.org](http://www.jedec.org).



## 6.9.2 Selecting the product temperature range

When ordering the microcontroller, the temperature range is specified in the ordering information scheme shown in [Section 7](#).

Each temperature range suffix corresponds to a specific guaranteed ambient temperature at maximum dissipation and, to a specific maximum junction temperature.

As applications do not commonly use the STM32F103xx at maximum dissipation, it is useful to calculate the exact power consumption and junction temperature to determine which temperature range will be best suited to the application.

The following examples show how to calculate the temperature range needed for a given application.

### Example 1: High-performance application

Assuming the following application conditions:

Maximum ambient temperature  $T_{Amax} = 82\text{ °C}$  (measured according to JESD51-2),  
 $I_{DDmax} = 50\text{ mA}$ ,  $V_{DD} = 3.5\text{ V}$ , maximum 20 I/Os used at the same time in output at low level with  $I_{OL} = 8\text{ mA}$ ,  $V_{OL} = 0.4\text{ V}$  and maximum 8 I/Os used at the same time in output at low level with  $I_{OL} = 20\text{ mA}$ ,  $V_{OL} = 1.3\text{ V}$

$$P_{INTmax} = 50\text{ mA} \times 3.5\text{ V} = 175\text{ mW}$$

$$P_{IOmax} = 20 \times 8\text{ mA} \times 0.4\text{ V} + 8 \times 20\text{ mA} \times 1.3\text{ V} = 272\text{ mW}$$

This gives:  $P_{INTmax} = 175\text{ mW}$  and  $P_{IOmax} = 272\text{ mW}$ :

$$P_{Dmax} = 175 + 272 = 447\text{ mW}$$

Thus:  $P_{Dmax} = 447\text{ mW}$

Using the values obtained in [Table 62](#)  $T_{Jmax}$  is calculated as follows:

– For LQFP100,  $46\text{ °C/W}$

$$T_{Jmax} = 82\text{ °C} + (46\text{ °C/W} \times 447\text{ mW}) = 82\text{ °C} + 20.6\text{ °C} = 102.6\text{ °C}$$

This is within the range of the suffix 6 version parts ( $-40 < T_J < 105\text{ °C}$ ).

In this case, parts must be ordered at least with the temperature range suffix 6 (see [Section 7](#)).

### Example 2: High-temperature application

Using the same rules, it is possible to address applications that run at high ambient temperatures with a low dissipation, as long as junction temperature  $T_J$  remains within the specified range.

Assuming the following application conditions:

Maximum ambient temperature  $T_{Amax} = 115\text{ °C}$  (measured according to JESD51-2),  
 $I_{DDmax} = 20\text{ mA}$ ,  $V_{DD} = 3.5\text{ V}$ , maximum 20 I/Os used at the same time in output at low level with  $I_{OL} = 8\text{ mA}$ ,  $V_{OL} = 0.4\text{ V}$

$$P_{INTmax} = 20\text{ mA} \times 3.5\text{ V} = 70\text{ mW}$$

$$P_{IOmax} = 20 \times 8\text{ mA} \times 0.4\text{ V} = 64\text{ mW}$$

This gives:  $P_{INTmax} = 70\text{ mW}$  and  $P_{IOmax} = 64\text{ mW}$ :

$$P_{Dmax} = 70 + 64 = 134\text{ mW}$$

Thus:  $P_{Dmax} = 134\text{ mW}$

Using the values obtained in [Table 62](#)  $T_{Jmax}$  is calculated as follows:

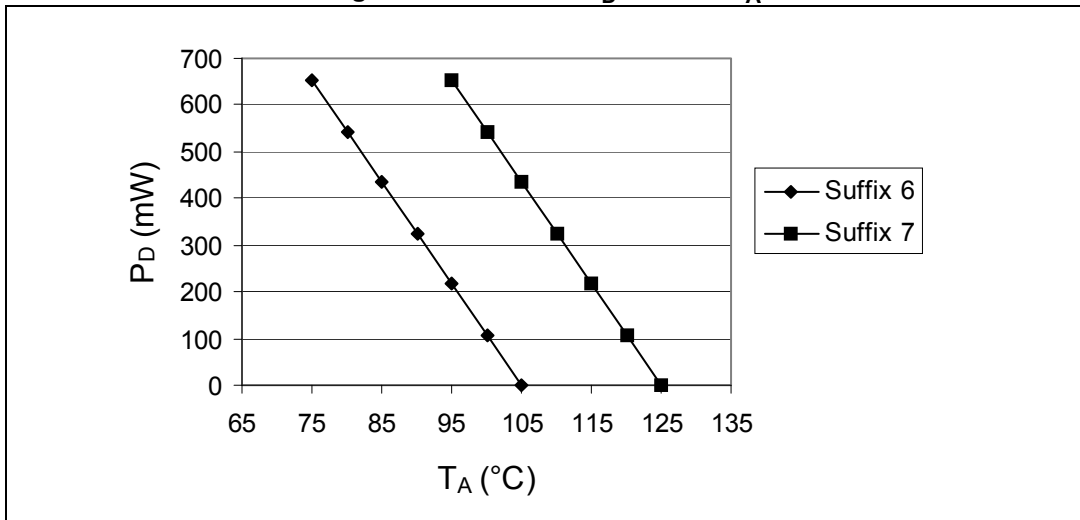
– For LQFP100, 46 °C/W

$$T_{Jmax} = 115\text{ °C} + (46\text{ °C/W} \times 134\text{ mW}) = 115\text{ °C} + 6.2\text{ °C} = 121.2\text{ °C}$$

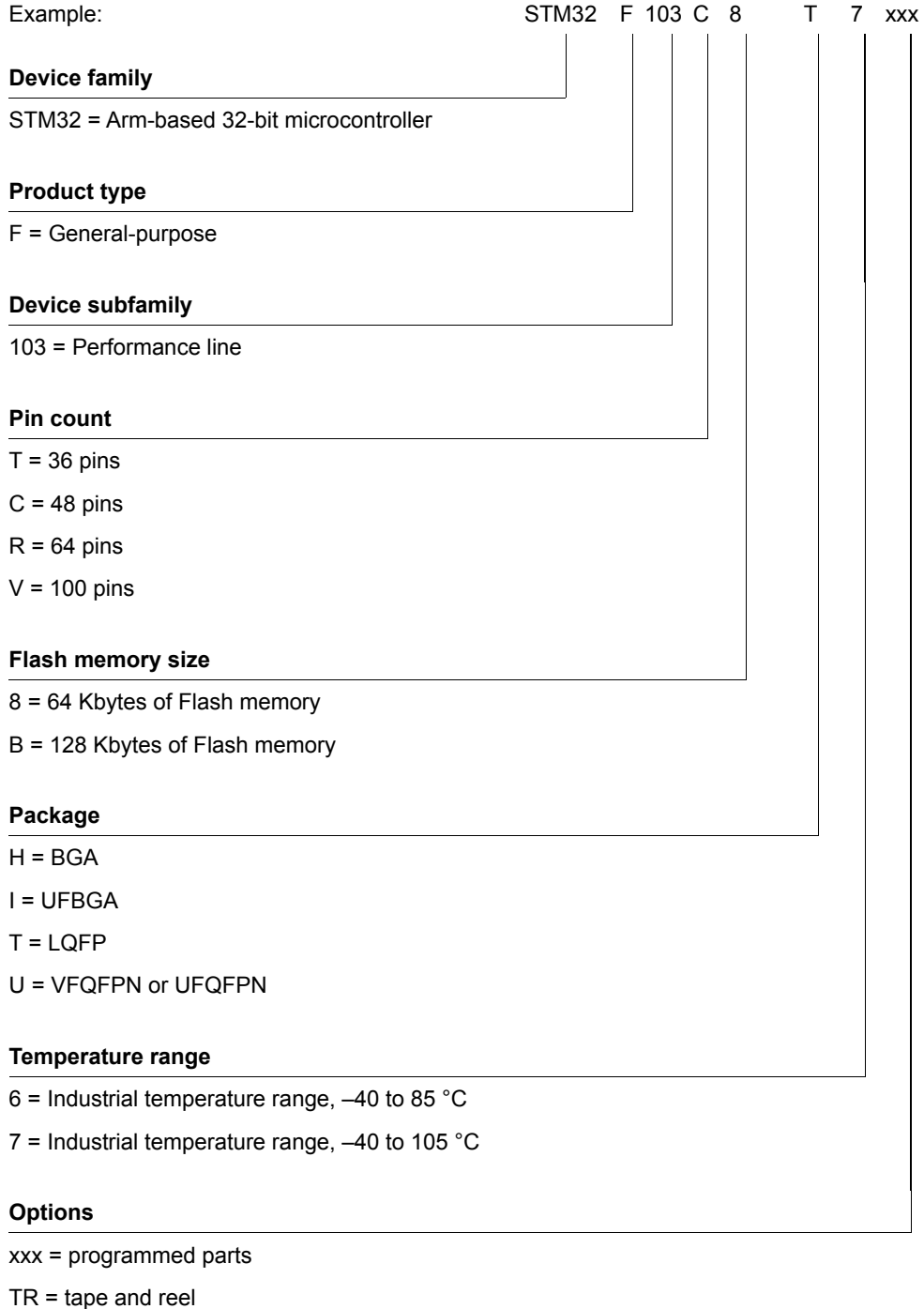
This is within the range of the suffix 7 version parts ( $-40 < T_J < 125\text{ °C}$ ).

In this case, parts must be ordered at least with the temperature range suffix 7 (see [Section 7](#)).

Figure 65. LQFP100  $P_D$  max vs.  $T_A$



# 7 Ordering information scheme



For a list of available options (speed, package, etc.) or for further information on any aspect of this device, contact your nearest ST sales office.

## 8 Revision history

**Table 63. Document revision history**

Date	Revision	Changes
01-Jun-2007	1	Initial release.
20-Jul-2007	2	<p>Flash memory size modified in <a href="#">Note 9</a>, <a href="#">Note 5</a>, <a href="#">Note 7</a>, <a href="#">Note 7</a> and BGA100 pins added to <a href="#">Table 5: Medium-density STM32F103xx pin definitions</a>. <a href="#">Figure 3: STM32F103xx performance line LFBGA100 ballout</a> added.</p> <p><math>T_{HSE}</math> changed to <math>T_{LSE}</math> in <a href="#">Figure 23: Low-speed external clock source AC timing diagram</a>. <math>V_{BAT}</math> ranged modified in <a href="#">Power supply schemes</a>.</p> <p><math>t_{SU(LSE)}</math> changed to <math>t_{SU(HSE)}</math> in <a href="#">Table 22: HSE 4-16 MHz oscillator characteristics</a>. <math>I_{DD(HSI)}</math> max value added to <a href="#">Table 24: HSI oscillator characteristics</a>.</p> <p>Sample size modified and machine model removed in <a href="#">Electrostatic discharge (ESD)</a>.</p> <p>Number of parts modified and standard reference updated in <a href="#">Static latch-up</a>. 25 °C and 85 °C conditions removed and class name modified in <a href="#">Table 33: Electrical sensitivities</a>. <math>R_{PU}</math> and <math>R_{PD}</math> min and max values added to <a href="#">Table 35: I/O static characteristics</a>. <math>R_{PU}</math> min and max values added to <a href="#">Table 38: NRST pin characteristics</a>.</p> <p><a href="#">Figure 32: I<sup>2</sup>C bus AC waveforms and measurement circuit</a> and <a href="#">Figure 31: Recommended NRST pin protection</a> corrected.</p> <p>Notes removed below <a href="#">Table 9</a>, <a href="#">Table 38</a>, <a href="#">Table 44</a>.</p> <p><math>I_{DD}</math> typical values changed in <a href="#">Table 11: Maximum current consumption in Run and Sleep modes</a>. <a href="#">Table 39: TIMx characteristics</a> modified.</p> <p><math>t_{STAB}</math>, <math>V_{REF+}</math> value, <math>t_{lat}</math> and <math>f_{TRIG}</math> added to <a href="#">Table 46: ADC characteristics</a>. In <a href="#">Table :</a>, typical endurance and data retention for <math>T_A = 85</math> °C added, data retention for <math>T_A = 25</math> °C removed.</p> <p><math>V_{BG}</math> changed to <math>V_{REFINT}</math> in <a href="#">Table 12: Embedded internal reference voltage</a>. Document title changed. <a href="#">Controller area network (CAN)</a> section modified.</p> <p><a href="#">Figure 14: Power supply scheme</a> modified.</p> <p><a href="#">Features on page 1</a> list optimized. Small text changes.</p>

Table 63. Document revision history (continued)

Date	Revision	Changes
18-Oct-2007	3	<p>STM32F103CBT6, STM32F103T6 and STM32F103T8 root part numbers added (see <a href="#">Table 2: STM32F103xx medium-density device features and peripheral counts</a>)</p> <p>VFQFPN36 package added (see <a href="#">Section 6: Package information</a>). All packages are ECOPACK® compliant. Package mechanical data inch values are calculated from mm and rounded to 4 decimal digits (see <a href="#">Section 6: Package information</a>).</p> <p><a href="#">Table 5: Medium-density STM32F103xx pin definitions</a> updated and clarified.</p> <p><a href="#">Table 26: Low-power mode wakeup timings</a> updated.</p> <p><math>T_A</math> min corrected in <a href="#">Table 12: Embedded internal reference voltage</a>.</p> <p><a href="#">Note 2</a> added below <a href="#">Table 22: HSE 4-16 MHz oscillator characteristics</a>.</p> <p><math>V_{ESD(CDM)}</math> value added to <a href="#">Table 32: ESD absolute maximum ratings</a>.</p> <p><a href="#">Note 4</a> added and <math>V_{OH}</math> parameter description modified in <a href="#">Table 36: Output voltage characteristics</a>.</p> <p><a href="#">Note 1</a> modified under <a href="#">Table 37: I/O AC characteristics</a>.</p> <p><a href="#">Equation 1</a> and <a href="#">Table 47: <math>R_{AIN}</math> max for <math>f_{ADC} = 14</math> MHz</a> added to <a href="#">Section 5.3.18: 12-bit ADC characteristics</a>.</p> <p><math>V_{AIN}</math>, <math>t_S</math> max, <math>t_{CONV}</math>, <math>V_{REF+}</math> min and <math>t_{lat}</math> max modified, notes modified and <math>t_{latr}</math> added in <a href="#">Table 46: ADC characteristics</a>.</p> <p><a href="#">Figure 37: ADC accuracy characteristics</a> updated. <a href="#">Note 1</a> modified below <a href="#">Figure 38: Typical connection diagram using the ADC</a>.</p> <p><a href="#">Electrostatic discharge (ESD) on page 59</a> modified.</p> <p>Number of TIM4 channels modified in <a href="#">Figure 1: STM32F103xx performance line block diagram</a>.</p> <p>Maximum current consumption <a href="#">Table 13</a>, <a href="#">Table 14</a> and <a href="#">Table 15</a> updated.</p> <p><math>V_{hys}</math> modified in <a href="#">Table 35: I/O static characteristics</a>.</p> <p><a href="#">Table 49: ADC accuracy</a> updated. <math>V_{FESD}</math> value added in <a href="#">Table 30: EMS characteristics</a>.</p> <p>Values corrected, note 2 modified and note 3 removed in <a href="#">Table 26: Low-power mode wakeup timings</a>.</p> <p><a href="#">Table 16: Typical and maximum current consumptions in Stop and Standby modes</a>: Typical values added for <math>V_{DD}/V_{BAT} = 2.4</math> V, <a href="#">Note 2</a> modified, <a href="#">Note 2</a> added.</p> <p><a href="#">Table 21: Typical current consumption in Standby mode</a> added. <a href="#">On-chip peripheral current consumption on page 49</a> added.</p> <p><math>ACC_{HSI}</math> values updated in <a href="#">Table 24: HSI oscillator characteristics</a>.</p> <p><math>V_{prog}</math> added to <a href="#">Table 28: Flash memory characteristics</a>.</p> <p>Upper option byte address modified in <a href="#">Figure 11: Memory map</a>.</p> <p>Typical <math>f_{LSI}</math> value added in <a href="#">Table 25: LSI oscillator characteristics</a> and internal RC value corrected from 32 to 40 kHz in entire document.</p> <p><math>T_{S\_temp}</math> added to <a href="#">Table 50: TS characteristics</a>. <math>N_{END}</math> modified in <a href="#">Table 12: Embedded internal reference voltage</a>.</p> <p><math>T_{S\_vrefint}</math> added to <a href="#">Table 12: Embedded internal reference voltage</a>.</p> <p>Handling of unused pins specified in <a href="#">General input/output characteristics on page 61</a>. All I/Os are CMOS and TTL compliant. <a href="#">Figure 39: Power supply and reference decoupling (<math>V_{REF+}</math> not connected to <math>V_{DDA}</math>)</a> modified.</p> <p><math>t_{JITTER}</math> and <math>f_{VCO}</math> removed from <a href="#">Table 27: PLL characteristics</a>.</p> <p><a href="#">Appendix A: Important notes on page 81</a> added.</p> <p>Added <a href="#">Figure 16</a>, <a href="#">Figure 17</a>, <a href="#">Figure 19</a> and <a href="#">Figure 21</a>.</p>

Table 63. Document revision history (continued)

Date	Revision	Changes
22-Nov-2007	4	<p>Document status promoted from preliminary data to datasheet. The STM32F103xx is USB certified. Small text changes.</p> <p><i>Power supply schemes on page 15</i> modified. Number of communication peripherals corrected for STM32F103Tx and number of GPIOs corrected for LQFP package in <i>Table 2: STM32F103xx medium-density device features and peripheral counts</i>.</p> <p>Main function and default alternate function modified for PC14 and PC15 in, <i>Note 6</i> added and Remap column added in <i>Table 5: Medium-density STM32F103xx pin definitions</i>.</p> <p><math>V_{DD}-V_{SS}</math> ratings and <i>Note 1</i> modified in <i>Table 6: Voltage characteristics</i>, <i>Note 1</i> modified in <i>Table 7: Current characteristics</i>.</p> <p><i>Note 1</i> and <i>Note 2</i> added in <i>Table 11: Embedded reset and power control block characteristics</i>.</p> <p><math>I_{DD}</math> value at 72 MHz with peripherals enabled modified in <i>Table 14: Maximum current consumption in Run mode, code with data processing running from RAM</i>.</p> <p><math>I_{DD}</math> value at 72 MHz with peripherals enabled modified in <i>Table 15: Maximum current consumption in Sleep mode, code running from Flash or RAM on page 43</i>.</p> <p><math>I_{DD\_VBAT}</math> typical value at 2.4 V modified and <math>I_{DD\_VBAT}</math> maximum values added in <i>Table 16: Typical and maximum current consumptions in Stop and Standby modes</i>. Note added in <i>Table 17 on page 47</i> and <i>Table 18 on page 48</i>. ADC1 and ADC2 consumption and notes modified in <i>Table 19: Peripheral current consumption</i>.</p> <p><math>t_{SU(HSE)}</math> and <math>t_{SU(LSE)}</math> conditions modified in <i>Table 22</i> and <i>Table 23</i>, respectively.</p> <p>Maximum values removed from <i>Table 26: Low-power mode wakeup timings</i>. <math>t_{RET}</math> conditions modified in <i>Table : . Figure 14: Power supply scheme</i> corrected.</p> <p><i>Figure 20: Typical current consumption in Stop mode, with regulator in Low-power mode</i> added.</p> <p>Note removed below <i>Figure 33: SPI timing diagram - slave mode and CPHA = 0</i>. Note added below <i>Figure 34: SPI timing diagram - slave mode and CPHA = 1<sup>(1)</sup></i>.</p> <p>Details on unused pins removed from <i>General input/output characteristics on page 61</i>.</p> <p><i>Table 42: SPI characteristics</i> updated. <i>Table 43: USB startup time</i> added.</p> <p><math>V_{AIN}</math>, <math>t_{lat}</math> and <math>t_{latr}</math> modified, note added and <math>I_{IKG}</math> removed in <i>Table 46: ADC characteristics</i>. Test conditions modified and note added in <i>Table 49: ADC accuracy</i>. Note added below <i>Table 47</i> and <i>Table 50</i>.</p> <p>Inch values corrected in <i>Table 55: LQPF100 mechanical data</i>, <i>Table 58: LQFP64 mechanical data</i> and <i>Table 60: LQFP48, 7 x 7 mm, 48-pin low-profile quad flat package mechanical data</i>.</p> <p><math>\Theta_{JA}</math> value for VFQFPN36 package added in <i>Table 62: Package thermal characteristics</i>.</p> <p>Order codes replaced by <i>Section 7: Ordering information scheme</i>.</p> <p>MCU 's operating conditions modified in <i>Typical current consumption on page 46</i>. Avg_Slope and <math>V_{25}</math> modified in <i>Table 50: TS characteristics. I2C interface characteristics on page 68</i> modified.</p> <p>Impedance specified in <i>A.4: Voltage glitch on ADC input 0 on page 81</i>.</p>

Table 63. Document revision history (continued)

Date	Revision	Changes
14-Mar-2008	5	<p><a href="#">Figure 2: Clock tree on page 12</a> added.</p> <p>Maximum <math>T_J</math> value given in <a href="#">Table 8: Thermal characteristics on page 37</a>.</p> <p>CRC feature added (see <a href="#">CRC (cyclic redundancy check) calculation unit on page 9</a> and <a href="#">Figure 11: Memory map on page 34</a> for address).</p> <p><math>I_{DD}</math> modified in <a href="#">Table 16: Typical and maximum current consumptions in Stop and Standby modes</a>.</p> <p><math>ACC_{HSI}</math> modified in <a href="#">Table 24: HSI oscillator characteristics on page 54</a>, note 2 removed.</p> <p><math>P_D</math>, <math>T_A</math> and <math>T_J</math> added, <math>t_{prog}</math> values modified and <math>t_{prog}</math> description clarified in <a href="#">Table 28: Flash memory characteristics on page 56</a>.</p> <p><math>t_{RET}</math> modified in <a href="#">Table :</a>.</p> <p><math>V_{NF(NRST)}</math> unit corrected in <a href="#">Table 38: NRST pin characteristics on page 66</a>.</p> <p><a href="#">Table 42: SPI characteristics on page 70</a> modified.</p> <p><math>I_{VREF}</math> added to <a href="#">Table 46: ADC characteristics on page 74</a>.</p> <p><a href="#">Table 48: ADC accuracy - Limited test conditions</a> added. <a href="#">Table 49: ADC accuracy</a> modified.</p> <p>LQFP100 package specifications updated (see <a href="#">Section 6: Package information on page 79</a>).</p> <p>Recommended LQFP100, LQFP 64, LQFP48 and VFQFPN36 footprints added (see <a href="#">Figure 55</a>, <a href="#">Figure 60</a>, <a href="#">Figure 64</a> and <a href="#">Figure 44</a>).</p> <p><a href="#">Section 6.9: Thermal characteristics on page 104</a> modified, <a href="#">Section 6.9.1</a> and <a href="#">Section 6.9.2</a> added.</p> <p><a href="#">Appendix A: Important notes on page 81</a> removed.</p>
21-Mar-2008	6	<p>Small text changes. <a href="#">Figure 11: Memory map</a> clarified.</p> <p>In <a href="#">Table :</a>:</p> <ul style="list-style-type: none"> <li>– <math>N_{END}</math> tested over the whole temperature range</li> <li>– cycling conditions specified for <math>t_{RET}</math></li> <li>– <math>t_{RET}</math> min modified at <math>T_A = 55\text{ °C}</math></li> </ul> <p><math>V_{25}</math>, Avg_Slope and <math>T_L</math> modified in <a href="#">Table 50: TS characteristics</a>.</p> <p>CRC feature removed.</p>
22-May-2008	7	<p>CRC feature added back. Small text changes. <a href="#">Section 1: Introduction</a> modified. <a href="#">Section 2.2: Full compatibility throughout the family</a> added.</p> <p><math>I_{DD}</math> at <math>T_A</math> max = <math>105\text{ °C}</math> added to <a href="#">Table 16: Typical and maximum current consumptions in Stop and Standby modes on page 44</a>.</p> <p><math>I_{DD\_VBAT}</math> removed from <a href="#">Table 21: Typical current consumption in Standby mode on page 47</a>.</p> <p>Values added to <a href="#">Table 41: SCL frequency (<math>f_{PCLK1} = 36\text{ MHz}</math>, <math>V_{DD\_I2C} = 3.3\text{ V}</math>) on page 69</a>.</p> <p><a href="#">Figure 33: SPI timing diagram - slave mode and CPHA = 0 on page 71</a> modified. <a href="#">Equation 1</a> corrected.</p> <p><math>t_{RET}</math> at <math>T_A = 105\text{ °C}</math> modified in <a href="#">Table : on page 57</a>.</p> <p><math>V_{USB}</math> added to <a href="#">Table 44: USB DC electrical characteristics on page 73</a>.</p> <p><a href="#">Figure 65: LQFP100 <math>P_D</math> max vs. <math>T_A</math> on page 106</a> modified.</p> <p>Axx option added to <a href="#">Table 63: Ordering information scheme on page 110</a>.</p>

Table 63. Document revision history (continued)

Date	Revision	Changes
21-Jul-2008	8	<p><i>Power supply supervisor</i> updated and <math>V_{DDA}</math> added to <a href="#">Table 9: General operating conditions</a>.</p> <p>Capacitance modified in <a href="#">Figure 14: Power supply scheme on page 36</a>.</p> <p>Table notes revised in <a href="#">Section 5: Electrical characteristics</a>.</p> <p><a href="#">Table 16: Typical and maximum current consumptions in Stop and Standby modes</a> modified.</p> <p>Data added to <a href="#">Table 16: Typical and maximum current consumptions in Stop and Standby modes</a> and <a href="#">Table 21: Typical current consumption in Standby mode</a> removed.</p> <p><math>f_{HSE\_ext}</math> modified in <a href="#">Table 20: High-speed external user clock characteristics on page 50</a>. <math>f_{PLL\_IN}</math> modified in <a href="#">Table 27: PLL characteristics on page 56</a>.</p> <p>Minimum SDA and SCL fall time value for Fast mode removed from <a href="#">Table 40: I<sup>2</sup>C characteristics on page 68</a>, note 1 modified.</p> <p><math>t_{h(NSS)}</math> modified in <a href="#">Table 42: SPI characteristics on page 70</a> and <a href="#">Figure 33: SPI timing diagram - slave mode and CPHA = 0 on page 71</a>.</p> <p><math>C_{ADC}</math> modified in <a href="#">Table 46: ADC characteristics on page 74</a> and <a href="#">Figure 38: Typical connection diagram using the ADC</a> modified.</p> <p>Typical <math>T_{S\_temp}</math> value removed from <a href="#">Table 50: TS characteristics on page 78</a>.</p> <p>LQFP48 package specifications updated (see <a href="#">Table 60</a> and <a href="#">Table 64</a>), <a href="#">Section 6: Package information</a> revised.</p> <p>Axx option removed from <a href="#">Table 63: Ordering information scheme on page 110</a>.</p> <p>Small text changes.</p>
22-Sep-2008	9	<p>STM32F103x6 part numbers removed (see <a href="#">Table 63: Ordering information scheme</a>). Small text changes.</p> <p><a href="#">General-purpose timers (TIMx)</a> and <a href="#">Advanced-control timer (TIM1)</a> on <a href="#">page 18</a> updated.</p> <p>Notes updated in <a href="#">Table 5: Medium-density STM32F103xx pin definitions on page 28</a>.</p> <p><a href="#">Note 2</a> modified below <a href="#">Table 6: Voltage characteristics on page 37</a>, <math> \Delta V_{DDx} _{min}</math> and <math> \Delta V_{DDx} _{min}</math> removed.</p> <p>Measurement conditions specified in <a href="#">Section 5.3.5: Supply current characteristics on page 40</a>.</p> <p><math>I_{DD}</math> in standby mode at 85 °C modified in <a href="#">Table 16: Typical and maximum current consumptions in Stop and Standby modes on page 44</a>.</p> <p><a href="#">General input/output characteristics on page 61</a> modified.</p> <p><math>f_{HCLK}</math> conditions modified in <a href="#">Table 30: EMS characteristics on page 58</a>.</p> <p><math>\Theta_{JA}</math> and pitch value modified for LFBGA100 package in <a href="#">Table 62: Package thermal characteristics</a>. Small text changes.</p>



Table 63. Document revision history (continued)

Date	Revision	Changes
23-Apr-2009	10	<p>I/O information clarified <a href="#">on page 1</a>.</p> <p><a href="#">Figure 3: STM32F103xx performance line LFBGA100 ballout</a> modified.</p> <p><a href="#">Figure 11: Memory map</a> modified. <a href="#">Table 4: Timer feature comparison</a> added.</p> <p>PB4, PB13, PB14, PB15, PB3/TRACESWO moved from Default column to Remap column in <a href="#">Table 5: Medium-density STM32F103xx pin definitions</a>.</p> <p><math>P_D</math> for LFBGA100 corrected in <a href="#">Table 9: General operating conditions</a>.</p> <p>Note modified in <a href="#">Table 13: Maximum current consumption in Run mode, code with data processing running from Flash</a> and <a href="#">Table 15: Maximum current consumption in Sleep mode, code running from Flash or RAM</a>.</p> <p><a href="#">Table 20: High-speed external user clock characteristics</a> and <a href="#">Table 21: Low-speed external user clock characteristics</a> modified.</p> <p><a href="#">Figure 20</a> shows a typical curve (title modified). <math>ACC_{HSI}</math> max values modified in <a href="#">Table 24: HSI oscillator characteristics</a>.</p> <p>TFBGA64 package added (see <a href="#">Table 59</a> and <a href="#">Table 60</a>). Small text changes.</p>
22-Sep-2009	11	<p><a href="#">Note 5</a> updated and <a href="#">Note 4</a> added in <a href="#">Table 5: Medium-density STM32F103xx pin definitions</a>.</p> <p><math>V_{RERINT}</math> and <math>T_{C_{eff}}</math> added to <a href="#">Table 12: Embedded internal reference voltage</a>. <math>I_{DD\_VBAT}</math> value added to <a href="#">Table 16: Typical and maximum current consumptions in Stop and Standby modes</a>. <a href="#">Figure 18: Typical current consumption on <math>V_{BAT}</math> (RTC on)</a> added.</p> <p><math>f_{HSE\_ext}</math> min modified in <a href="#">Table 20: High-speed external user clock characteristics</a>.</p> <p><math>C_{L1}</math> and <math>C_{L2}</math> replaced by C in <a href="#">Table 22: HSE 4-16 MHz oscillator characteristics</a> and <a href="#">Table 23: LSE oscillator characteristics (<math>f_{LSE} = 32.768</math> kHz)</a>, notes modified and moved below the tables. <a href="#">Table 24: HSI oscillator characteristics</a> modified. Conditions removed from <a href="#">Table 26: Low-power mode wakeup timings</a>.</p> <p><a href="#">Note 1</a> modified below <a href="#">Figure 24: Typical application with an 8 MHz crystal</a>.</p> <p>IEC 1000 standard updated to IEC 61000 and SAE J1752/3 updated to IEC 61967-2 in <a href="#">Section 5.3.10: EMC characteristics on page 57</a>.</p> <p>Jitter added to <a href="#">Table 27: PLL characteristics</a>.</p> <p><a href="#">Table 42: SPI characteristics</a> modified.</p> <p><math>C_{ADC}</math> and <math>R_{AIN}</math> parameters modified in <a href="#">Table 46: ADC characteristics</a>. <math>R_{AIN}</math> max values modified in <a href="#">Table 47: <math>R_{AIN}</math> max for <math>f_{ADC} = 14</math> MHz</a>.</p> <p><a href="#">Figure 47: LFBGA100 outline</a> updated.</p>
03-Jun-2010	12	<p>Added STM32F103TB devices.</p> <p>Added VFQFPN48 package.</p> <p>Updated note 2 below <a href="#">Table 40: <math>I^2C</math> characteristics</a></p> <p>Updated <a href="#">Figure 32: <math>I^2C</math> bus AC waveforms and measurement circuit</a></p> <p>Updated <a href="#">Figure 31: Recommended NRST pin protection</a></p> <p>Updated <a href="#">Section 5.3.12: I/O current injection characteristics</a></p>

Table 63. Document revision history (continued)

Date	Revision	Changes
19-Apr-2011	13	<p>Updated footnotes below <a href="#">Table 6: Voltage characteristics on page 37</a> and <a href="#">Table 7: Current characteristics on page 37</a></p> <p>Updated <math>t_{w \text{ min}}</math> in <a href="#">Table 20: High-speed external user clock characteristics on page 50</a></p> <p>Updated startup time in <a href="#">Table 23: LSE oscillator characteristics (<math>f_{LSE} = 32.768 \text{ kHz}</math>) on page 53</a></p> <p>Added <a href="#">Section 5.3.12: I/O current injection characteristics</a></p> <p>Updated <a href="#">Section 5.3.13: I/O port characteristics</a></p>
07-Dec-2012	14	<p>Added UFBGA100 7 x 7 mm.</p> <p>Updated <a href="#">Figure 59: LQFP64, 10 x 10 mm, 64-pin low-profile quad flat package outline</a> to add pin 1 identification.</p>
14-May-2013	15	<p>Replaced VQFN48 package with UQFN48 in cover page packages, <a href="#">Table 2: STM32F103xx medium-density device features and peripheral counts</a>, <a href="#">Figure 9: STM32F103xx performance line UFQFPN48 pinout</a>, <a href="#">Table 2: STM32F103xx medium-density device features and peripheral counts</a>, <a href="#">Table 56: UFBGA100 mechanical data</a>, <a href="#">Table 63: Ordering information scheme</a> and updated <a href="#">Table 62: Package thermal characteristics</a></p> <p>Added footnote for TFBGA ADC channels in <a href="#">Table 2: STM32F103xx medium-density device features and peripheral counts</a></p> <p>Updated 'All GPIOs are high current...' in <a href="#">Section 2.3.21: GPIOs (general-purpose inputs/outputs)</a></p> <p>Updated <a href="#">Table 5: Medium-density STM32F103xx pin definitions</a></p> <p>Corrected Sigma letter in <a href="#">Section 5.1.1: Minimum and maximum values</a></p> <p>Removed the first sentence in <a href="#">Section 5.3.16: Communications interfaces</a></p> <p>Added '<math>V_{IN}</math>' in <a href="#">Table 9: General operating conditions</a></p> <p>Updated first sentence in <a href="#">Output driving current</a></p> <p>Added note 5. in <a href="#">Table 24: HSI oscillator characteristics</a></p> <p>Updated '<math>V_{IL}</math>' and '<math>V_{IH}</math>' in <a href="#">Table 35: I/O static characteristics</a></p> <p>Added notes to <a href="#">Figure 26: Standard I/O input characteristics - CMOS port</a>, <a href="#">Figure 27: Standard I/O input characteristics - TTL port</a>, <a href="#">Figure 28: 5 V tolerant I/O input characteristics - CMOS port</a> and <a href="#">Figure 29: 5 V tolerant I/O input characteristics - TTL port</a></p> <p>Updated <a href="#">Figure 32: I<sup>2</sup>C bus AC waveforms and measurement circuit</a></p> <p>Updated note 2. and 3., removed note "the device must internally..." in <a href="#">Table 40: I<sup>2</sup>C characteristics</a></p> <p>Updated title of <a href="#">Table 41: SCL frequency (<math>f_{PCLK1} = 36 \text{ MHz}</math>, <math>V_{DD\_I2C} = 3.3 \text{ V}</math>)</a></p> <p>Updated note 2. in <a href="#">Table 49: ADC accuracy</a></p> <p>Updated <a href="#">Figure 53: UFBGA100 - 100-ball, 7 x 7 mm, 0.50 mm pitch, ultra fine pitch ball grid array package outline</a> and <a href="#">Table 56: UFBGA100 mechanical data</a></p> <p>Updated <a href="#">Figure 47: LFBGA100 outline</a> and <a href="#">Table 53: LFBGA100 mechanical data</a></p> <p>Updated <a href="#">Figure 60: TFBGA64 - 8 x 8 active ball array, 5 x 5 mm, 0.5 mm pitch, package outline</a> and <a href="#">Table 59: TFBGA64 - 8 x 8 active ball array, 5 x 5 mm, 0.5 mm pitch, package mechanical data</a></p>

Table 63. Document revision history (continued)

Date	Revision	Changes
05-Aug-2013	16	Updated the reference for ' $V_{ESD(CDM)}$ ' in <a href="#">Table 32: ESD absolute maximum ratings</a> Corrected 'tf(IO)out' in <a href="#">Figure 30: I/O AC characteristics definition</a> Updated <a href="#">Table 52: UFQFPN48 mechanical data</a>
21-Aug-2015	17	Updated <a href="#">Table 3: STM32F103xx family</a> removing the note. Updated <a href="#">Table 63: Ordering information scheme</a> removing the note. Updated <a href="#">Section 6: Package information</a> and added <a href="#">Section : Marking of engineering samples</a> for all packages. Updated I2C characteristics, added $t_{SP}$ parameter and note 4 in <a href="#">Table 40: I<sup>2</sup>C characteristics</a> . Updated <a href="#">Figure 32: I<sup>2</sup>C bus AC waveforms and measurement circuit</a> swapping SCLL and SCLH. Updated <a href="#">Figure 33: SPI timing diagram - slave mode and CPHA = 0</a> . Updated min/max value notes replacing 'Guaranteed by design, not tested in production' by "guaranteed by design". Updated min/max value notes replacing 'based on characterization, not tested in production' by "Guaranteed based on test during characterization". Updated <a href="#">Table 19: Peripheral current consumption</a> .
29-Mar-2022	18	Updated <a href="#">Table 5: Medium-density STM32F103xx pin definitions</a> . Updated <a href="#">Figure 37: ADC accuracy characteristics</a> , <a href="#">Figure 38: Typical connection diagram using the ADC</a> and its footnotes. Minor text edits across the whole document.

**IMPORTANT NOTICE – PLEASE READ CAREFULLY**

STMicroelectronics NV and its subsidiaries (“ST”) reserve the right to make changes, corrections, enhancements, modifications, and improvements to ST products and/or to this document at any time without notice. Purchasers should obtain the latest relevant information on ST products before placing orders. ST products are sold pursuant to ST’s terms and conditions of sale in place at the time of order acknowledgement.

Purchasers are solely responsible for the choice, selection, and use of ST products and ST assumes no liability for application assistance or the design of Purchasers’ products.

No license, express or implied, to any intellectual property right is granted by ST herein.

Resale of ST products with provisions different from the information set forth herein shall void any warranty granted by ST for such product.

ST and the ST logo are trademarks of ST. For additional information about ST trademarks, please refer to [www.st.com/trademarks](http://www.st.com/trademarks). All other product or service names are the property of their respective owners.

Information in this document supersedes and replaces information previously supplied in any prior versions of this document.

© 2022 STMicroelectronics – All rights reserved